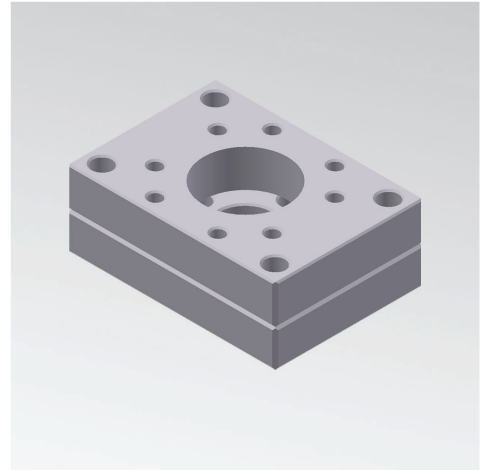
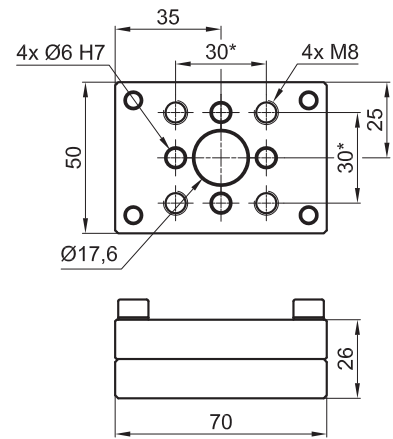
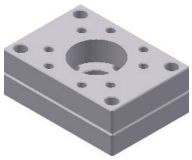


Rear flange mounts

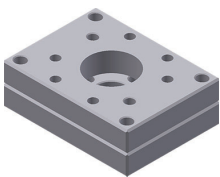


LGP32PT070 Rear flange mount 70 mm for grippers Ø32



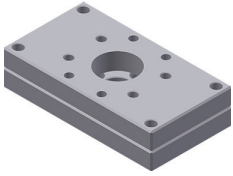
Material:	Aluminium
Weight:	0,24 kg

LGP40PT080 Rear flange mount 80 mm for grippers Ø40



Material:	Aluminium
Weight:	0,335 kg

LGP40PT110 Rear flange mount 110 mm for grippers Ø40



Material:	Aluminium
Weight:	0,459 kg

