

YMA20

180° Angular Pneumatic Gripper

- Bore sizes: Ø 10 - 16 - 20 - 25
- Compact design and light
- Gripping forces via piston/cam design
- Precision references points on body and fingers are standard
- Maximum installation flexibility with mounting options on 4 sides and recessed auto switch grooves on either side of the gripper
- Resistant to Dusty Environments



TECHNICAL CHARACTERISTICS

Ambient temperature	-10 ÷ 60 °C			
Acting type	double acting			
Fluid	filtered air, with or without lubrication			
Bore Ø (mm)	10	16	20	25
Working pressure (bar)	1 ÷ 6			
Opening angle	+180°~182° / -3°			
Max frequency (cycles/min)	60			
Repeatability (mm)	± 0,2			
Max arm length (mm) - L	60	70	80	90
Gripping force (N)*	6	20	36	78

* = Gripping force at 5 bar
L = Gripping point 30 mm

CONSTRUCTIVE CHARACTERISTICS

Body/Bottom plate	aluminium
Piston rod	stainless steel
Seals	nitrile rubber
Piston	Ø10 stainless steel, Ø16÷25 aluminium
Magnet	plastroferrite
Screws	stainless steel
Fingers	stainless steel
Plate for fingers guide	stainless steel
Pivots	stainless steel

CODIFICATION KEY

Y	M	A	2	0	-	1	0
1				2			

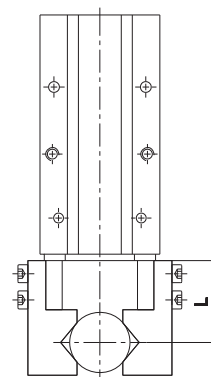
1 Series

YMA20 = 180° Angular Pneumatic Gripper

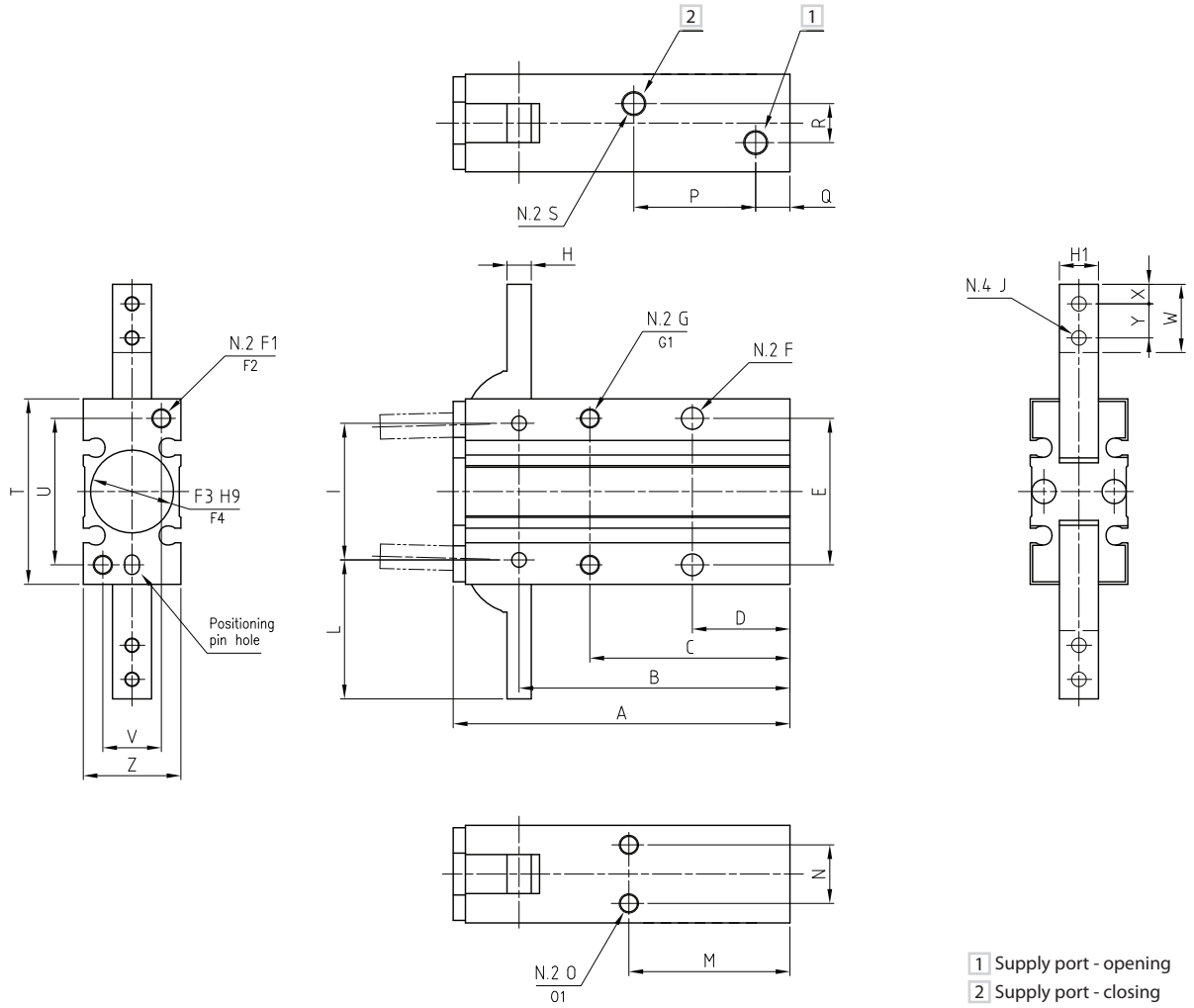
2 Bore (mm)

- 10 = Ø10
- 16 = Ø16
- 20 = Ø20
- 25 = Ø25

Length of gripping point



Overall dimensions



Part No.	A	B	C	D	E	ØF	F1	F2	ØF3	F4	G	G1	H	H1	I	J	L	M	N	O
YMA20-10	58	47,5	35	18	24	3,4	M3x0,5	6	11	1,5	M3x0,5	6	4	6	22	M3x0,5	23,5	30	9	M3x0,5
YMA20-16	69	55,5	41	20	30	4,5	M4x0,7	8	17	1,5	M4x0,7	8	5	8	28	M3x0,5	28,5	33	12	M4x0,7
YMA20-20	86	69	50	25	36	5,5	M5x0,8	10	21	1,5	M5x0,8	10	8	10	36	M4x0,7	37	42	14	M5x0,8
YMA20-25	107	86	60	30	42	6,6	M6x1	12	26	1,5	M6x1	12	10	12	45	M5x0,8	45	50	16	M6x1

Part No.	O1	P	Q	R	S	T	U	V	W	X	Y	Z
YMA20-10	4	23	7	3	M5x0,8	30	24	9	12	3	6	15
YMA20-16	5	25	7	8	M5x0,8	38	30	12	14	4	7	20
YMA20-20	8	32	8	12	M5x0,8	48	38	16	18	5	9	26
YMA20-25	10	42	8	14	M5x0,8	58	46	18	22,5	6	12	30

For technical data on the DF-T sensor, see chapter 5 Accessories