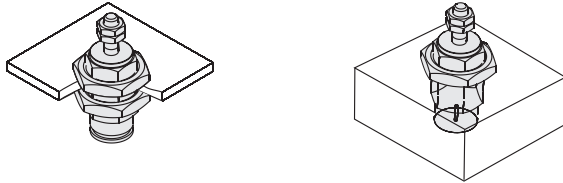




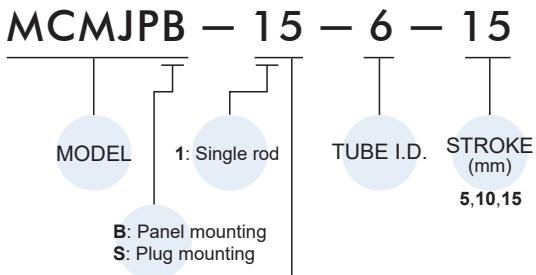
### Mounting type



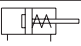
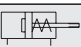
**B:** Panel mounting style

**S:** Plug mounting style

### Order example



#### STYLE

Code	Symbol	Description
1 0		Single acting / Normally returned without thread
1 5		Single acting / Normally returned male thread

### Tightening torque

MCMJPB/S Piston rod	Rod thread	Max. Tightening torque (kgf·cm)
	M3×0.5	3.1
	M4×0.7	8.2
M5×0.8	16.3	

MCMJPB/S Housing	Housing thread	Max. Tightening torque (kgf·cm)
	M10×1	100
	M15×1.5	100
	M22×1.5	360

\* Make sure the tightening torque of thread does not exceed the value above.

### Features

- A short stroke miniature cylinder with a shorter overall length.

The installation space can be significantly reduced because this cylinder can be recessed directly into a machine body or installed on a panel. Thus, the machines can be made more compact.

### Specification

Model	MCMJPB	MCMJPS	
Acting type	Single acting		
Tube I.D. (mm)	6	10	15
Medium	Air		
Max. operating pressure	0.7 MPa		
Min. operating pressure	ø6	0.2 MPa	
	ø10, 15	0.15 MPa	
Proof pressure	1 MPa		
Lubrication	Not required		
Ambient temperature	-5~+60°C (No freezing)		
Available speed range	50~500 mm/sec		
Max. allowable kinetic energy	0.003J	0.008J	0.019J

\* All this product line is without magnet

### Table for standard stroke

Tube I.D.	Stroke (mm)
ø6, 10, 15	5, 10, 15

### Spring retracting force

Unit: N

Tube I.D.	Extended position	Retracted position
ø6	3.92	1.42
ø10	5.98	2.45
ø15	10.80	4.41

### Theoretical force

Unit: N

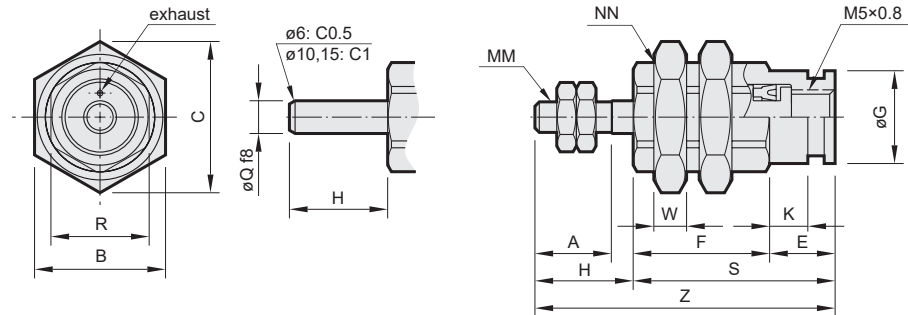
Tube I.D.	Operation direction	Operating pressure (MPa)		
		0.3	0.5	0.7
ø6	OUT	4.56	10.2	15.9
	IN	1.42		
ø10	OUT	17.6	33.3	49.0
	IN	2.45		
ø15	OUT	42.2	77.5	113
	IN	4.41		

### Weight

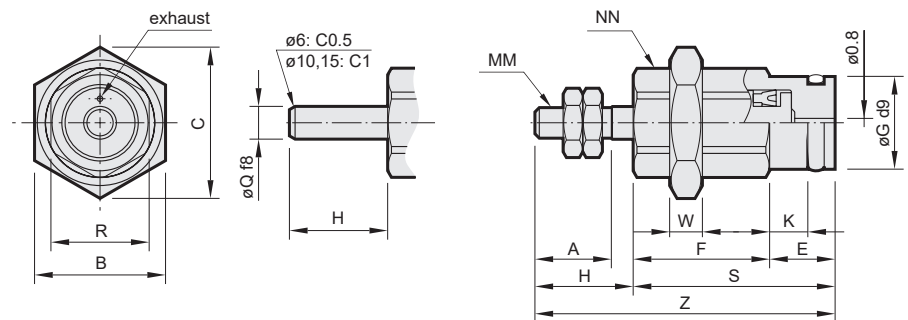
Unit: g

Tube I.D.	Basic weight		Stroke 5 mm	
	MCMJPB	MCMJPS	MCMJPB	MCMJPS
ø6	8	7	2	2
ø10	23	22	5	5
ø15	63	62	10	10

### MCMJPB

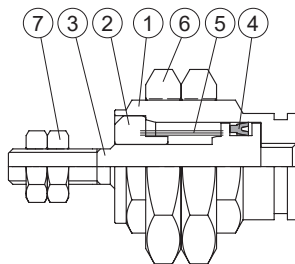


### MCMJPS



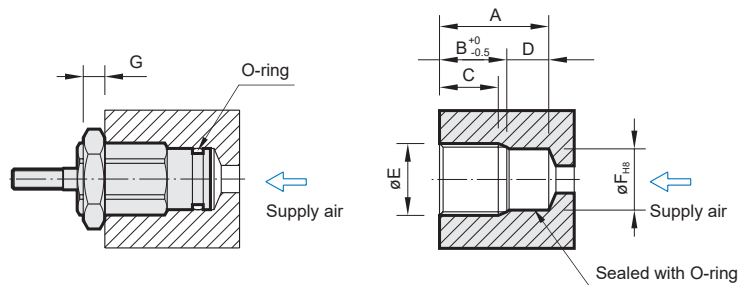
Code Tube I.D.	A	B	C	E	F			G	H	K	MM	NN	Q	R	S			W	Z		
					5st	10st	15st								5st	10st	15st				
6	7	12	13.9	6	12.5	19.5	26.5	8.5	9	3.5	M3×0.5	M10×1.0	3	9	18.5	25.5	32.5	3	27.5	34.5	41.5
10	10	19	22	6	14.5	21	28	12	12	3.5	M4×0.7	M15×1.5	5	13	20.5	27	34	4	32.5	39	46
15	12	27	31	7	16.5	22.5	29	19	14	4.2	M5×0.8	M22×1.5	6	20	23.5	29.5	36	5	37.5	43.5	50

### Inside structure & Parts list



No.	Part name	Material		
		6	10	15
1	Body	Copper		
2	Cover	Copper		
3	Piston rod	Stainless steel		
4	Piston packing	NBR		
5	Spring	SWP		
6	Nut	Copper		*
7	Rod front nut	Carbon steel		

\* Carbon steel



When plug mounting

Maching dimension for mounting

Tube I.D.	Code Stroke	A	B	C	D	E	F	G
6	5	16	12.5	10	3.5	M10×1.0	8.5	3
	10	23	19.5	17				
	15	30	26.5	24				
10	5	17	13.5	10.5	3.5	M15×1.5	12	4
	10	23.5	20	17				
	15	30.5	27	24				
15	5	19	14.5	11.5	4.5	M22×1.5	19	5
	10	25	20.5	17.5				
	15	31.5	27	24				