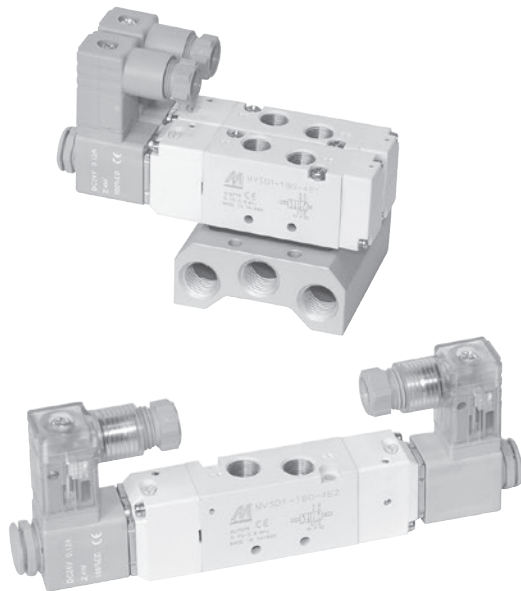


MVSD1-180 series

SOLENOID VALVE

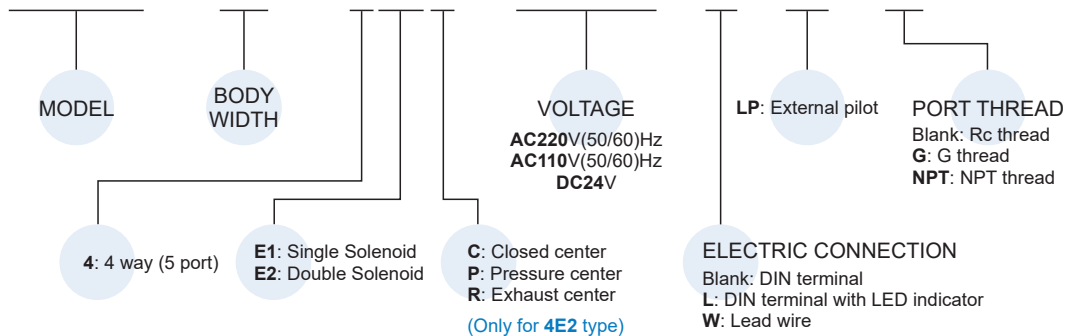


Specification

| Model | 4E1 | 4E2 | 4E2 C.P.R |
|------------------------------|-------------------------------|-------------------|-----------|
| Bore No. | 6A | | |
| Port size | 1/8 | | |
| No. of port | 5 | | |
| No. of position | 2 | 3 | |
| Medium | Air | | |
| Operating pressure range | 0.15~0.8 MPa | 0.2~0.7 MPa | |
| Operating pressure (LP) | 0~0.8 MPa | 0~0.7 MPa | |
| External pilot pressure (LP) | 0.15~0.8 MPa | 0.2~0.7 MPa | |
| Proof pressure | 1 MPa | | |
| Effective orifice | 12 mm ² | 9 mm ² | |
| Response time | 30 ms | | |
| Ambient temperature | -5~+50°C (No freezing) | | |
| Voltage | AC110V, 220V (50/60)Hz, DC24V | | |
| Power consumption | AC=3.7/3.1VA, DC=2.9W | | |
| Available voltage range | ±10% | | |
| Insulation class | F class | | |
| Weight | 124 g | 176 g | 190 g |

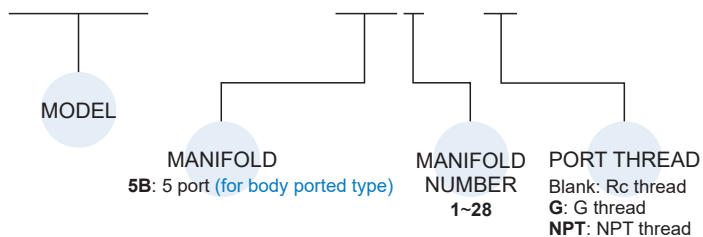
Order example of valve

MVSD1 – 180 – 4E2C – AC110 – L – LP – G



Order example of manifold

MVSD1 – 180 – 5B3 – G



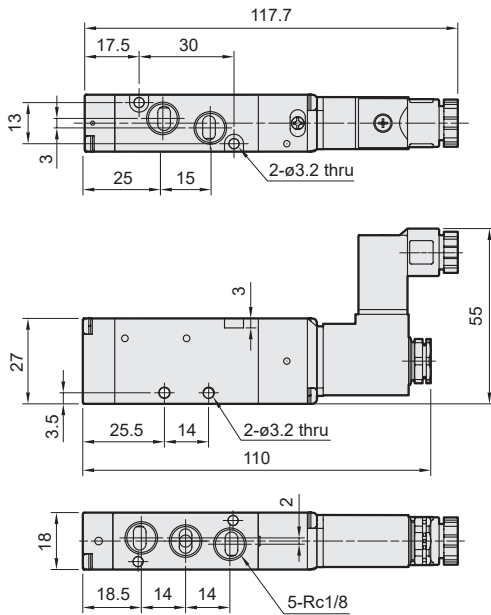
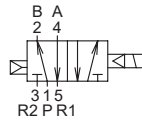
* Starting from 11 stations, manifolds are made to order.

MVSD1-180 Dimensions

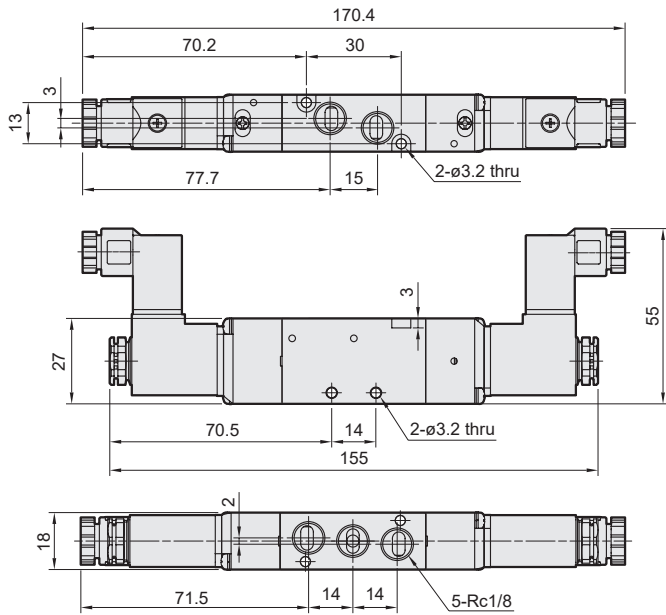
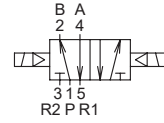
SOLENOID VALVE



MVSD1-180-4E1



MVSD1-180-4E2

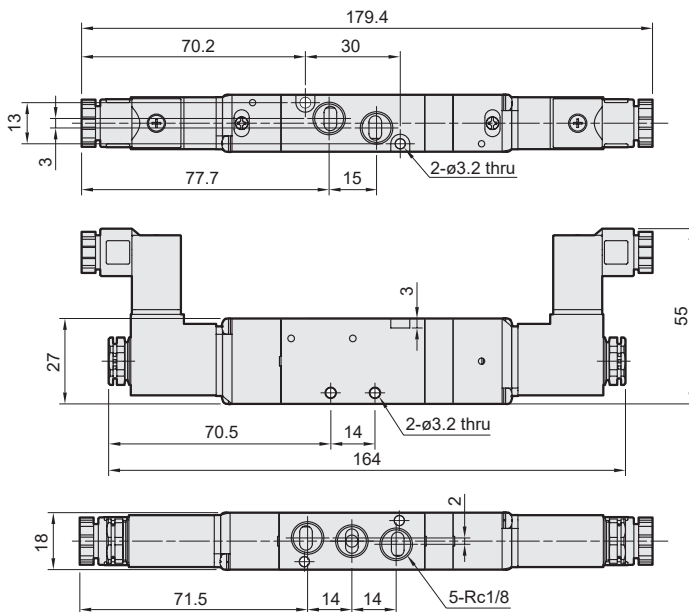
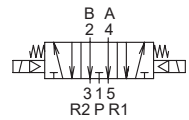
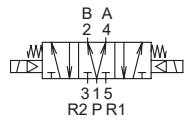
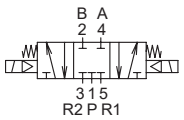


MVSD1-180-4E2C.P.R

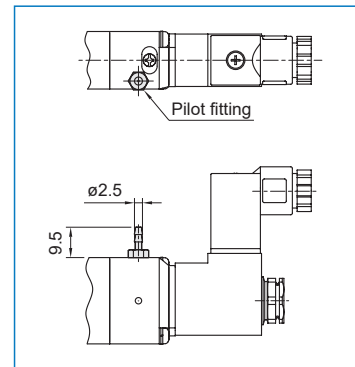
MVSD1-180-4E2C

MVSD1-180-4E2P

MVSD1-180-4E2R

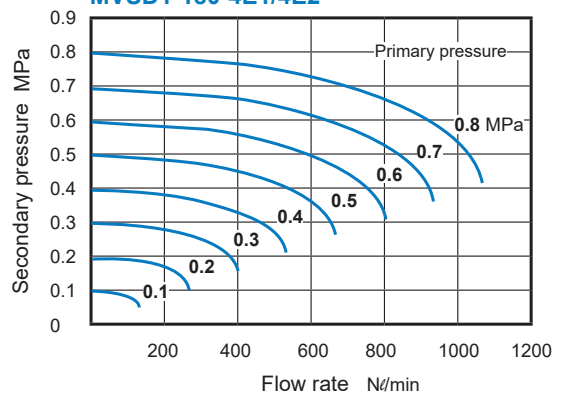


LP



Flow features

MVSD1-180-4E1/4E2



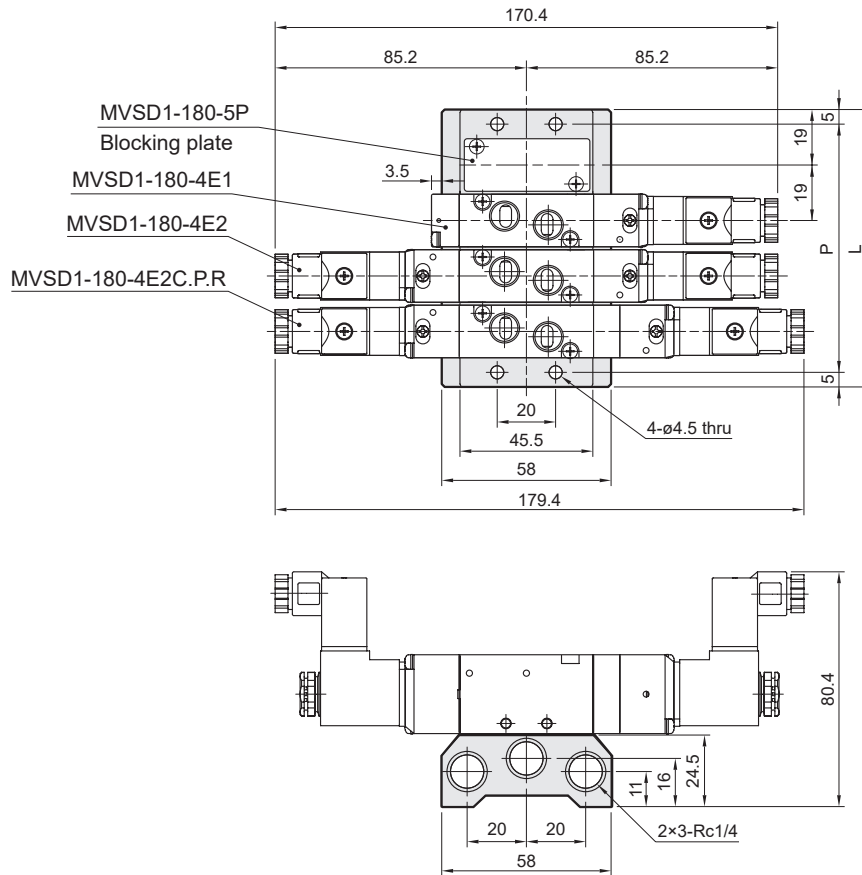
MVSD1-180 Manifold

SOLENOID VALVE



MVSD1-180-5B*

5 port (for body ported type)



| No. of stations | P | L |
|-----------------|-----|-----|
| 1 | 28 | 38 |
| 2 | 47 | 57 |
| 3 | 66 | 76 |
| 4 | 85 | 95 |
| 5 | 104 | 114 |
| 6 | 123 | 133 |
| 7 | 142 | 152 |
| 8 | 161 | 171 |
| 9 | 180 | 190 |
| 10 | 199 | 209 |

P: (No. of stations-1)×19+28

L: (No. of stations-1)×19+38