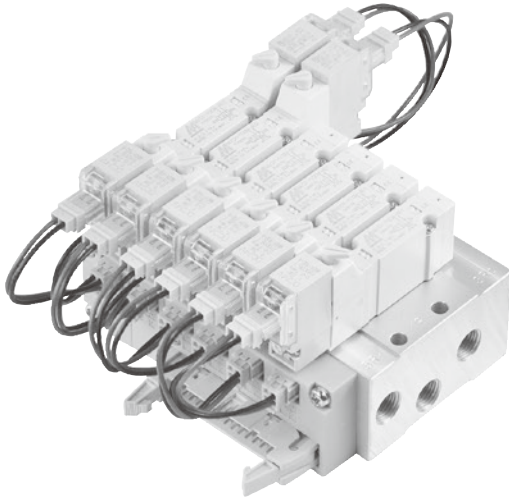


# MVB1-100 series

MULTI CONNECTOR SYSTEM (FLAT CABLE TYPE)



mindman

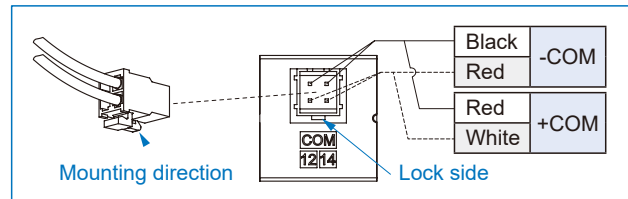


## Specification

- 26-Pin flat connector.
- Simple electric wire system.
- Max. operating frequency: 5Hz.

## Remark

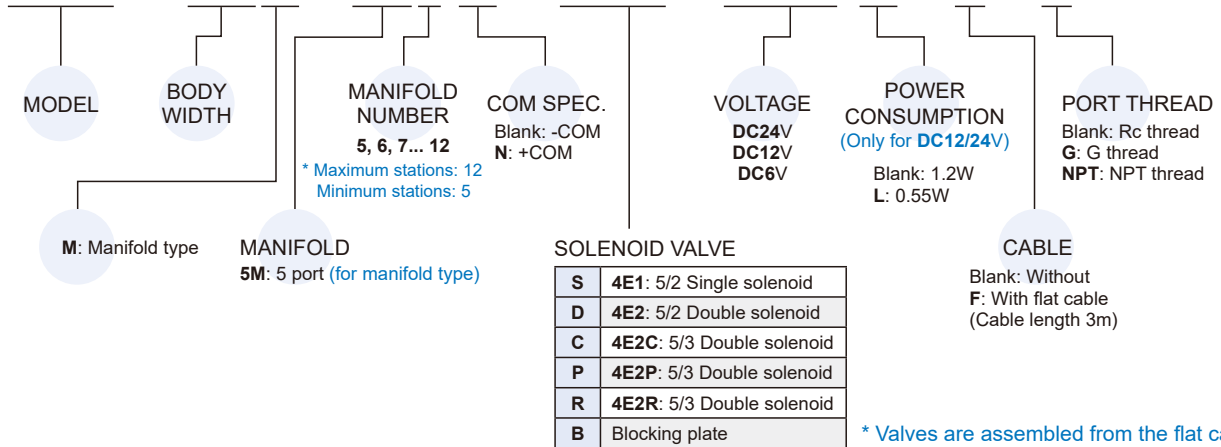
- Maximum stations: 12  
Minimum stations: 5
- For MVSY-100 series solenoid valve only (Only with LJ plug type).



- \* PLC type (PNP output) is applied to -COM.
- \* PLC type (NPN output) is applied to +COM.

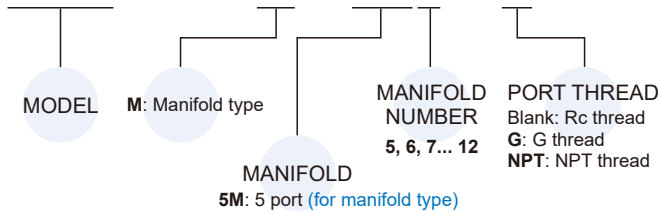
## Order example (Multi connector system)

MVB1 – 100M – 5M5 □ – SSSDC – DC24 □ – F – G



## Order example of circuit board and manifold

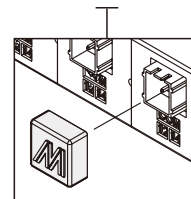
MVB1 – 100M – 5M6 – G



## Order example of protective plate

\* Use the same accessories with MVB-100.

MVB – 100 – P



## Order example of cable

MVB1 – 100 – F

FLAT CABLE

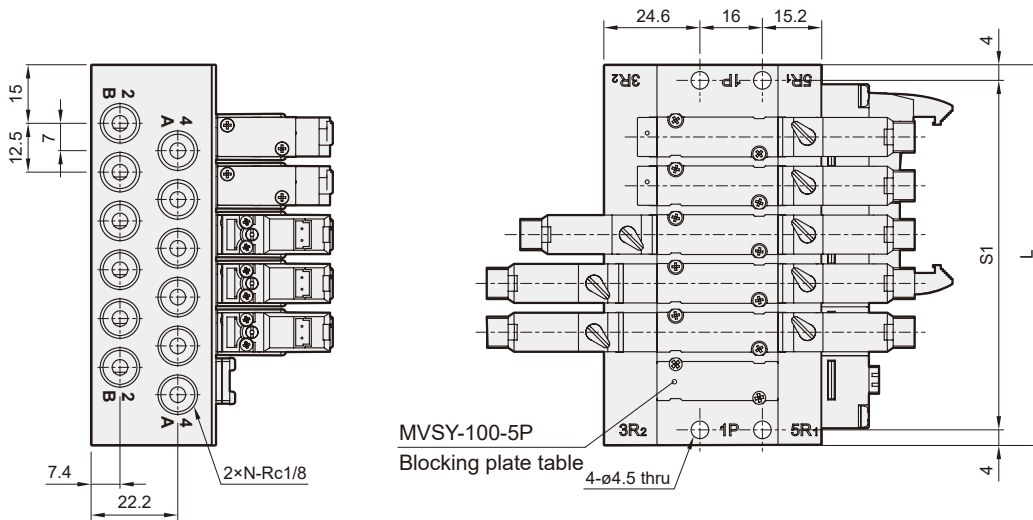
# MVB1-100 Dimensions

## MULTI CONNECTOR SYSTEM (FLAT CABLE TYPE)

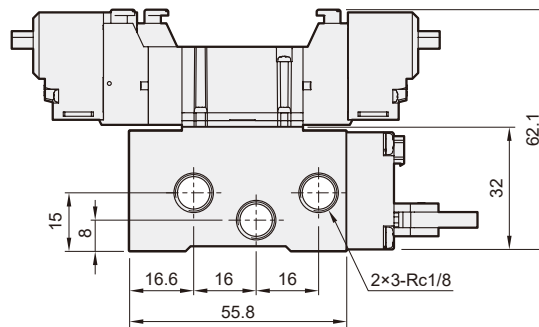


### MVB1-100M-5M\*

5 port (for manifold type)



| No. of stations (N) | L     | S1    |
|---------------------|-------|-------|
| 5                   | 85    | 77    |
| 6                   | 97.5  | 89.5  |
| 7                   | 110   | 102   |
| 8                   | 122.5 | 114.5 |
| 9                   | 135   | 127   |
| 10                  | 147.5 | 139.5 |
| 11                  | 160   | 152   |
| 12                  | 172.5 | 164.5 |



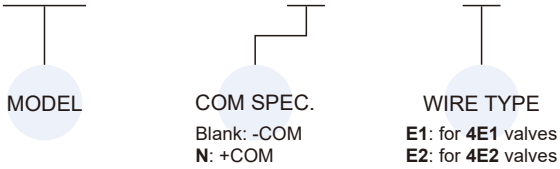
# MVB1-100 Order example of wire

## MULTI CONNECTOR SYSTEM (FLAT CABLE TYPE)



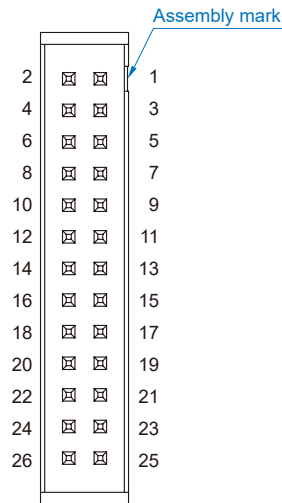
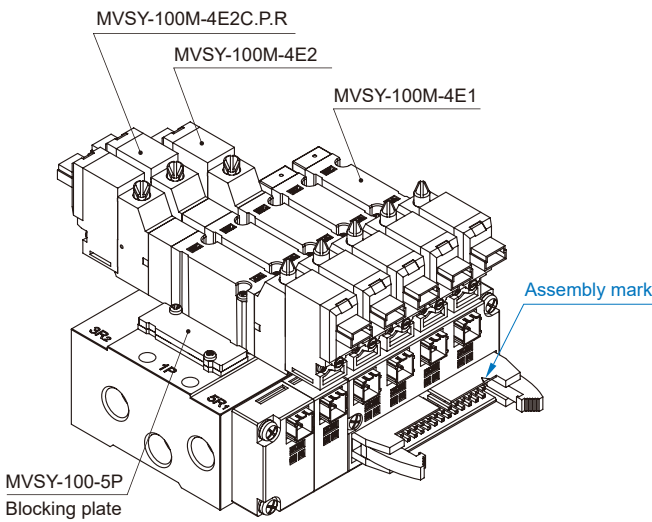
Order example of wire \* MVB-100, MVB1-100 and MVB-156 use the same accessories.

MVB — 100 — □ — WDE1

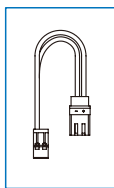


| Pin No. | Coil No. | Polarity |      |
|---------|----------|----------|------|
|         |          | -COM     | +COM |
| 1       | D-01     | +        | -    |
| 2       | D-02     | +        | -    |
| 3       | D-03     | +        | -    |
| 4       | D-04     | +        | -    |
| 5       | D-05     | +        | -    |
| 6       | D-06     | +        | -    |
| 7       | D-07     | +        | -    |
| 8       | D-08     | +        | -    |
| 9       | D-09     | +        | -    |
| 10      | D-10     | +        | -    |
| 11      | D-11     | +        | -    |
| 12      | D-12     | +        | -    |
| 13      | D-13     | +        | -    |
| 14      | D-14     | +        | -    |
| 15      | D-15     | +        | -    |
| 16      | D-16     | +        | -    |
| 17      | D-17     | +        | -    |
| 18      | D-18     | +        | -    |
| 19      | D-19     | +        | -    |
| 20      | D-20     | +        | -    |
| 21      | D-21     | +        | -    |
| 22      | D-22     | +        | -    |
| 23      | D-23     | +        | -    |
| 24      | D-24     | +        | -    |
| 25      | COM      | -        | +    |
| 26      | COM      | -        | +    |

### 26 PIN



MVB-100-WDE1



MVB-100-WDE2

