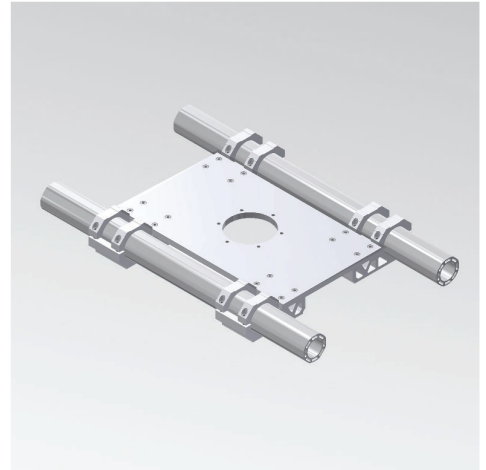
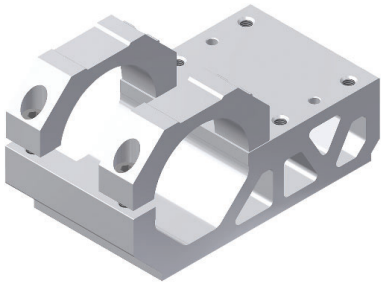


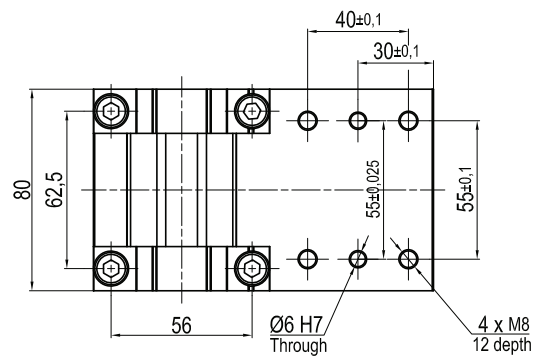
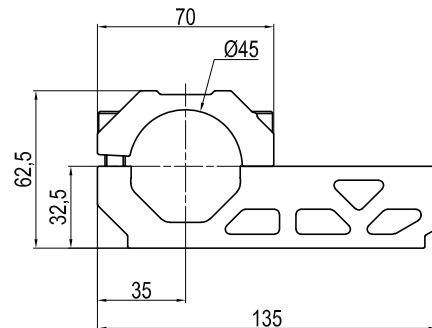
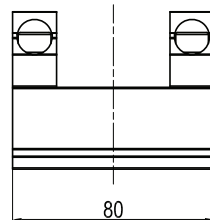
Base linear plates



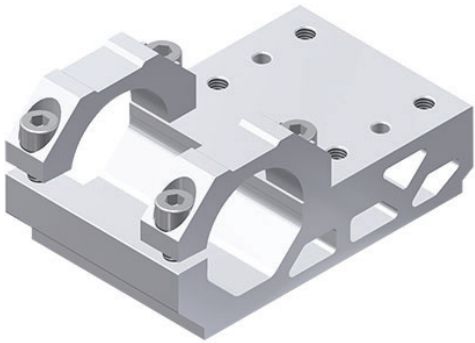
GR8BL45 Base linear plate 45



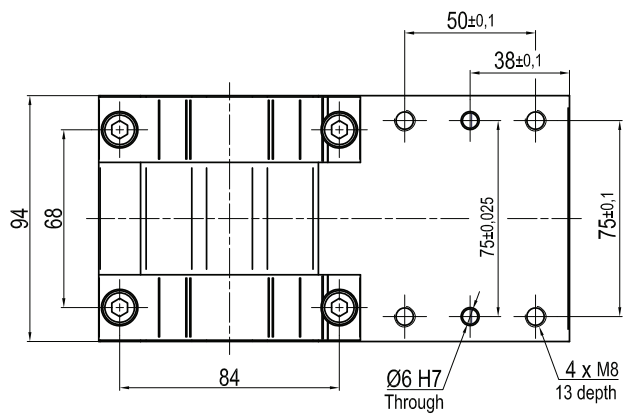
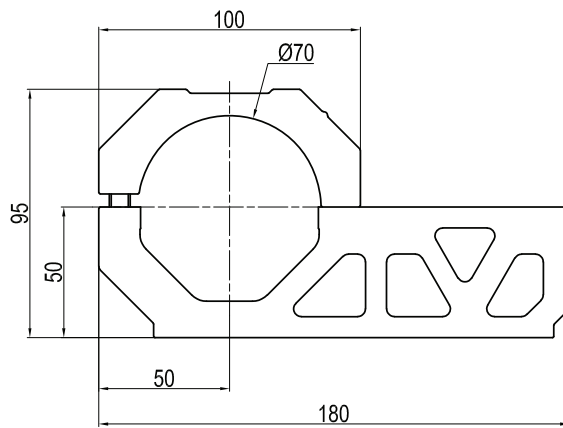
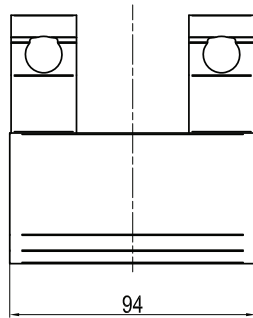
	Tightening torque	Screw
GR8BL45	25 Nm	M8x25
Material:	Aluminium	
Weight:	0,72 kg	
Max. static load:	470 Nm	



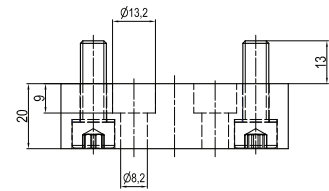
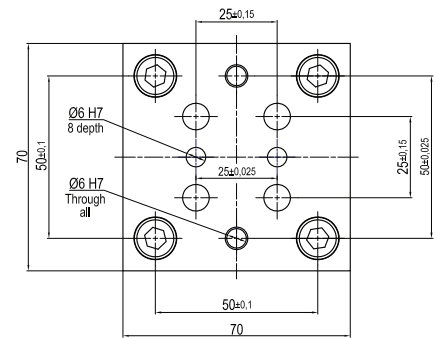
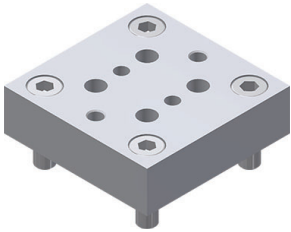
GR8BL70 Base linear plate 70



	Tightening torque	Screw
GR8BL70	25 Nm	M8x25
Material:	Aluminium	
Weight:	1,56 kg	
Max. static load:	690 Nm	



GR8BB4530B Base plate



	Tightening torque	Screw
GR8BB4530B	25 Nm	M8x25
Material:	Aluminium	
Weight:	0,3 kg	