

E

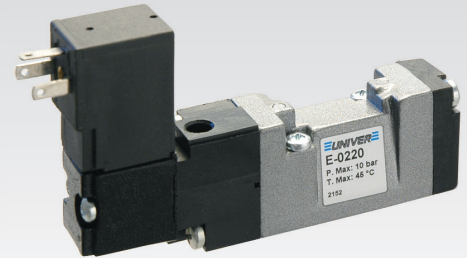
COMPA 2 Miniature Valves

- Compact design: 15 mm body
- Original Univer spool system appreciated for decades
- Wide range of actuators and manual operators for panels - Univer original

Available ATEX version upon request

CE Ex II 2Gc IIC T5 II 2Dc T100°C

CE Ex II 3 GD c nA II T5-10°C ≤ Ta ≤ 45°C



TECHNICAL CHARACTERISTICS

Ambient temperature	-10 ÷ +45 °C
Fluid temperature	-20 ÷ +50 °C
Fluid	10 µm filtered air
Commutation system	spool
Ways/Positions	5/2
Pressure	max 10 bar
Control	manual, mechanical
Return	mechanical spring
Connections	M5, for sub-base
Nominal Ø	2 mm
Nominal flow rate	150 NI/min

CONSTRUCTIVE CHARACTERISTICS

Valve body	zamak
Seals	nitrile rubber
Actuators	technopolymer
Spool	aluminium

ELECTRIC CHARACTERISTICS

Electropilot/coil	A series/U05
Voltage	24 V DC - 12 V DC - 24 V AC - 110 V AC - 230 V AC (only for version with integrated electrical connection)
Power consumption	U05 = 2 W (DC) 2,3 VA (AC) U04 = 1,2 W (DC)
Protection degree	IP65
Manual override	recessed button – 1 position

CODIFICATION KEY

E	-	0	2	2	4	
1		2	3	4	5	

1 Series	2 Type	3 Control 14	4 Return 12
E = COMPA 2 Miniature Valves	02 = 5/2 Sub-base mounting 04 = 5/2 Threaded body M5 05 = 5/3 c.c. Sub-base mounting 06 = 5/3 o.c. Sub-base mounting 07 = 5/3 p.c. Sub-base mounting 08 = 5/3 c.c. Threaded body M5 09 = 5/3 o.c. Threaded body M5 10 = 5/3 p.c. Threaded body M5	2 = Electrical amplified DC 4 = Pneumatic amplified 7 = Electrical amplified DC/AC	0 = Pneumomechanical spring 2 = Electrical amplified DC 4 = Pneumatic amplified 7 = Electrical amplified DC/AC

5 ATEX version

X = Atex (upon request)

See ATEX Catalogue for types and versions

o.c. = open centres c.c. = closed centres p.c. = pressurized centres

Single pneumatic impulse

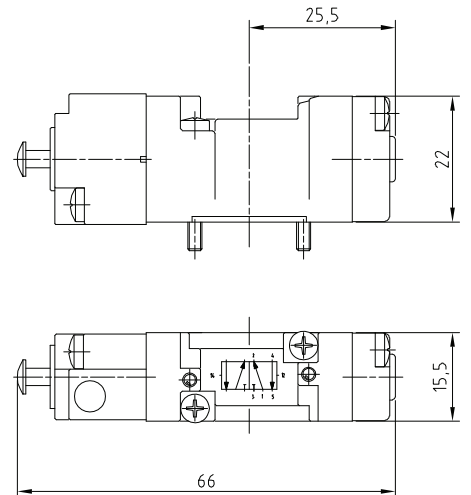


- 1 = Supply port
- 2 - 4 = Use
- 3 - 5 = Exhaust
- 14 = Control
- 12 = Return

Weight (Kg): 0,068

Symbol	Control	Return	Part no.
	14	12	

5/2		Pneumatic amplified	Pneumomechanical spring	E-0240
-----	--	---------------------	-------------------------	---------------



Double pneumatic impulse

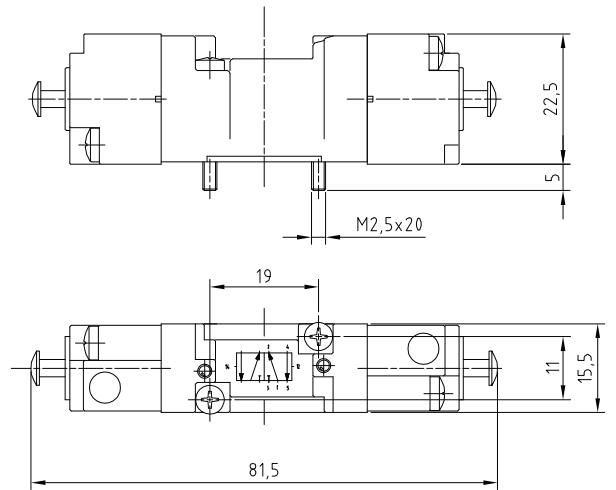


- 1 = Supply port
- 2 - 4 = Use
- 3 - 5 = Exhaust
- 14 = Control
- 12 = Return

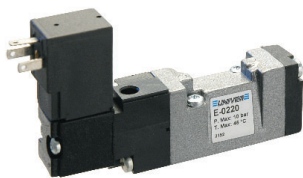
Weight (Kg): 0,082

Symbol	Control	Return	Part no.
	14	12	

5/2		Pneumatic amplified	Pneumatic amplified	E-0244
-----	--	---------------------	---------------------	---------------



Single electrical impulse

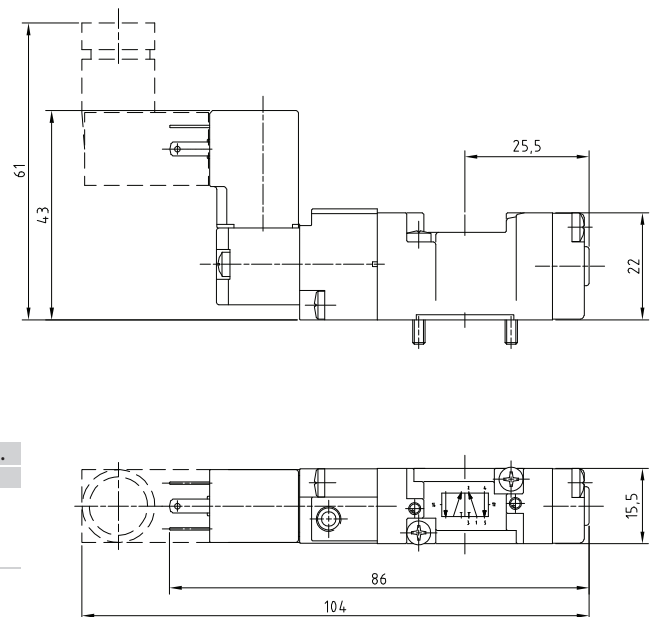


- 1 = Supply port
- 2 - 4 = Use
- 3 - 5 = Exhaust
- 14 = Control
- 12 = Return

Weight (Kg): 0,066

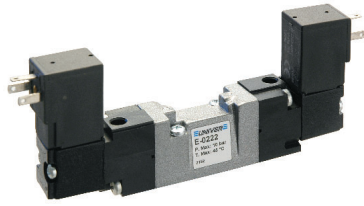
Symbol	Control	Return	Part no.
	14	12	

5/2		Electrical amplified	Pneumomechanical spring	E-0220 E-0270
-----	--	----------------------	-------------------------	--------------------------------

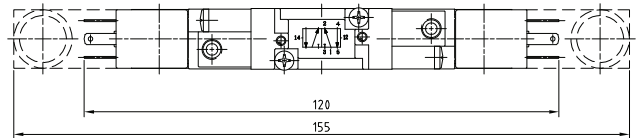
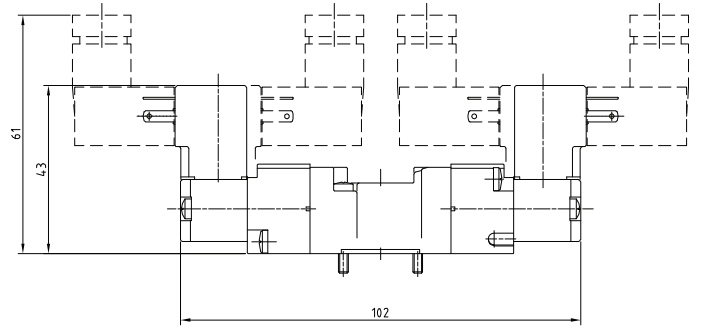


Solenoid valves are supplied without coil and connector

Double electrical impulse



- 1 = Supply port
- 2 - 4 = Use
- 3 - 5 = Exhaust
- 14 = Control
- 12 = Return

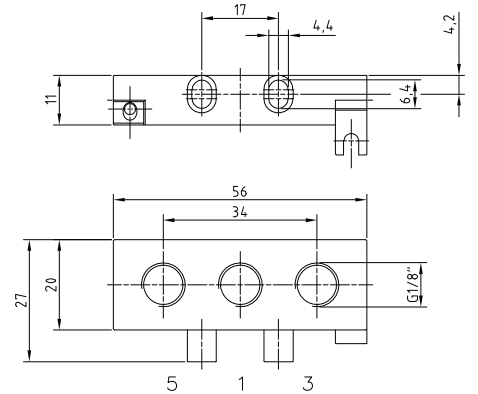


Weight (Kg): 0,066

	Symbol	Control 14	Return 12	Part no.
5/2		Electrical amplified	Electrical amplified	E-0222 E-0277
5/3 c.c.		Electrical amplified	Electrical amplified	E-0522
5/3 o.c.		Electrical amplified	Electrical amplified	E-0622
5/3 p.c.		Electrical amplified	Electrical amplified	E-0722

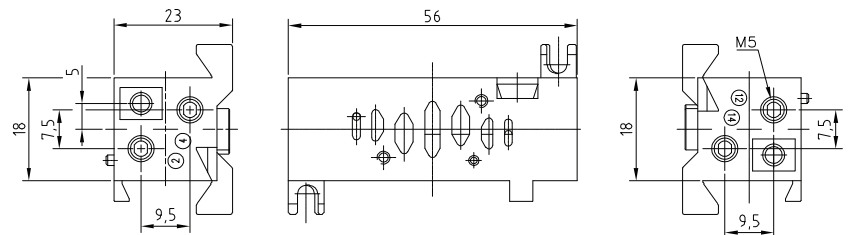
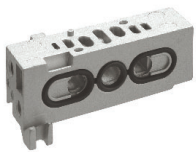
o.c. = open centres c.c. = closed centres p.c. = pressurized centres

E-4500



Inlet plate G1/8
material: zamak
weight: 0,055 Kg

E-4505



Manifold sub-base, side connections M5
material: zamak
weight: 0,095 Kg

Solenoid valves are supplied without coil and connector

Single pneumatic impulse

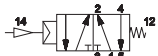


- 1 = Supply port
- 2 - 4 = Use
- 3 - 5 = Exhaust
- 14 = Control
- 12 = Return

Weight (Kg): 0,068

Symbol	Control	Return	Part no.
	14	12	

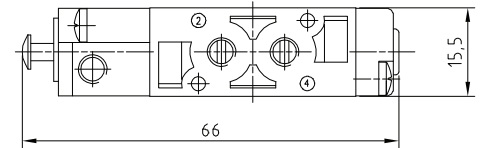
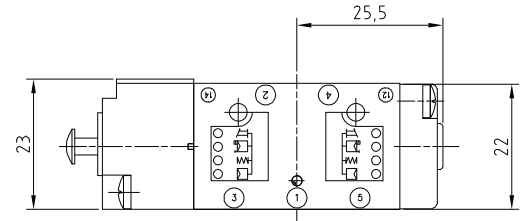
5/2



Pneumatic amplified

Pneumomechanical spring

E-0440



Double pneumatic impulse

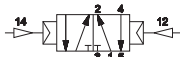


- 1 = Supply port
- 2 - 4 = Use
- 3 - 5 = Exhaust
- 14 = Control
- 12 = Return

Weight (Kg): 0,082

Symbol	Control	Return	Part no.
	14	12	

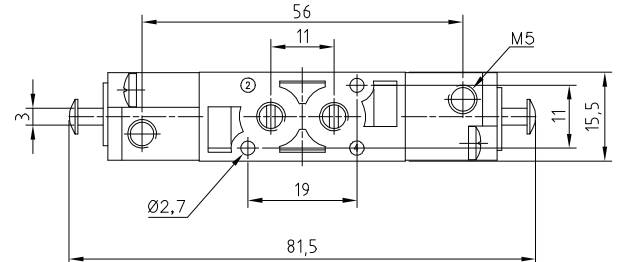
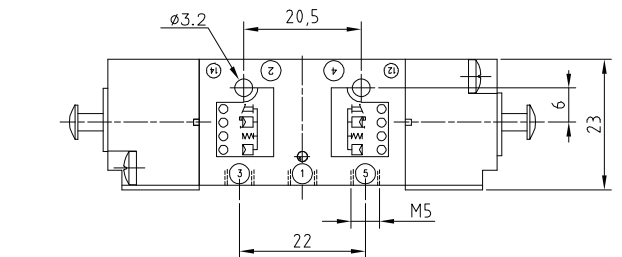
5/2



Pneumatic amplified

Pneumatic amplified

E-0444



Single electrical impulse



- 1 = Supply port
- 2 - 4 = Use
- 3 - 5 = Exhaust
- 14 = Control
- 12 = Return

Weight (Kg): 0,082

Symbol	Control	Return	Part no.
	14	12	

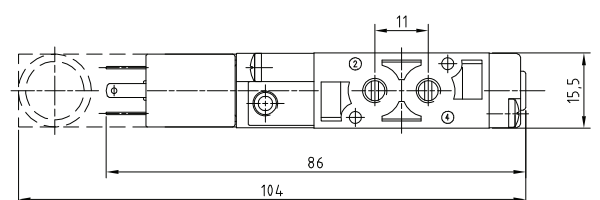
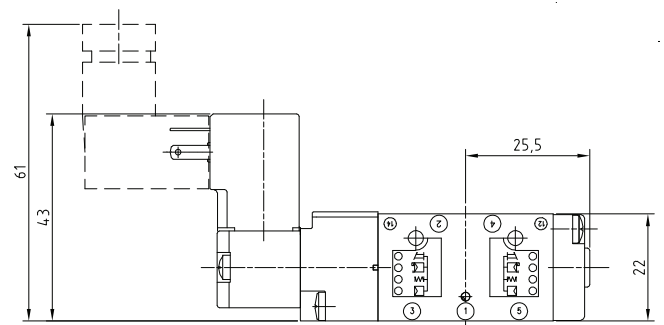
5/2



Electrical amplified

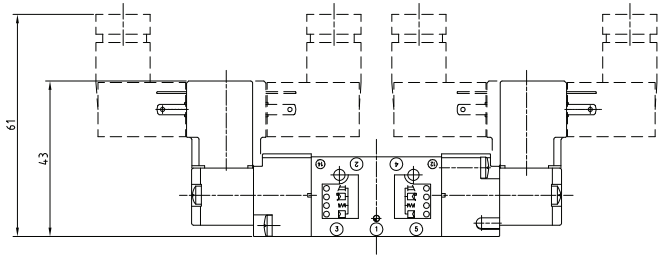
Pneumomechanical spring

E-0420
E-0470



Solenoid valves are supplied without coil and connector

Double electrical impulse



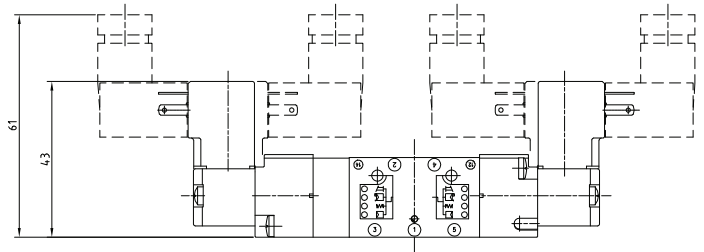
- 1 = Supply port
- 2 - 4 = Use
- 3 - 5 = Exhaust
- 14 = Control
- 12 = Return

Weight (Kg): 0,066

Symbol	Control	Return	Part no.
	14	12	

5/2		Electrical amplified	Electrical amplified	E-0422 E-0477
-----	--	----------------------	----------------------	------------------

Double electrical impulse



- 1 = Supply port
- 2 - 4 = Use
- 3 - 5 = Exhaust
- 14 = Control
- 12 = Return

Weight (Kg): 0,066

Symbol	Control	Return	Part no.
	14	12	

5/3 c.c.		Electrical amplified	Electrical amplified	E-0822
----------	--	----------------------	----------------------	--------

5/3 o.c.		Electrical amplified	Electrical amplified	E-0922
----------	--	----------------------	----------------------	--------

5/3 p.c.		Electrical amplified	Electrical amplified	E-1022
----------	--	----------------------	----------------------	--------

o.c. = open centres c.c. = closed centres p.c. = pressurized centres

Solenoid valves are supplied without coil and connector

Subject to change

Lever valve

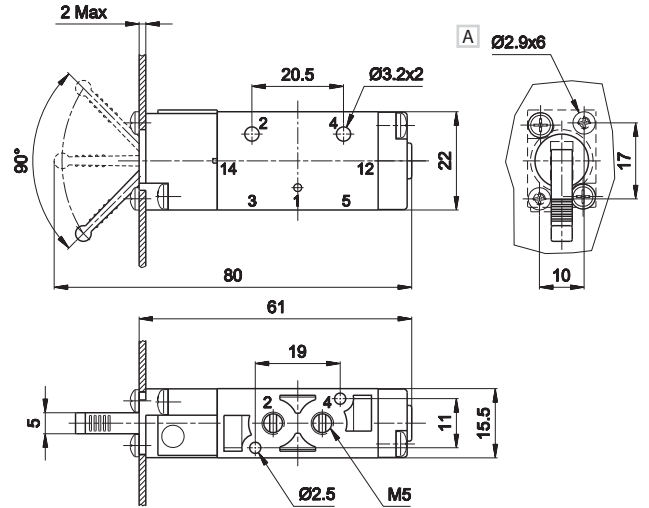
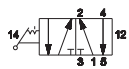


A) Nr. 2 screws for plastic

- 1 = Supply port
- 2 - 4 = Use
- 3 - 5 = Exhaust
- 14 = Control
- 12 = Return

Weight (Kg): 0,068

Symbol	Control	Return	Lever colour	Part no.
	14	12		
5/2	lever	lever	yellow	E-15422G
			black	E-15422N
			red	E-15422R



Push-pull valve

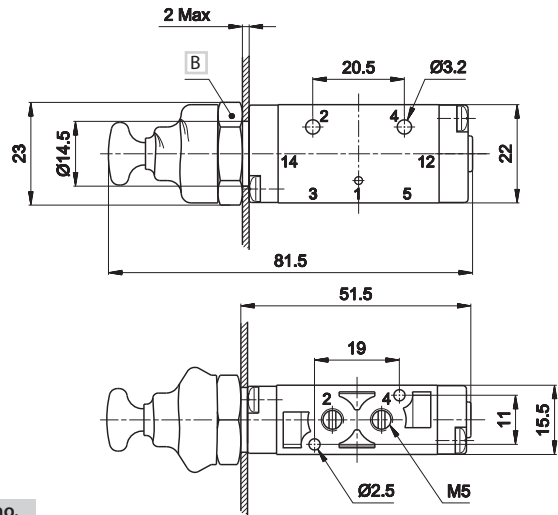
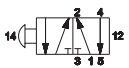


B) Wrench 20

- 1 = Supply port
- 2 - 4 = Use
- 3 - 5 = Exhaust
- 14 = Control
- 12 = Return

Weight (Kg): 0,082

Symbol	Control	Return	Lever colour	Part no.
	14	12		
5/2	push-pull	push-pull	black	E-15420
5/2	push-pull	mechanical spring	black	E-15420A



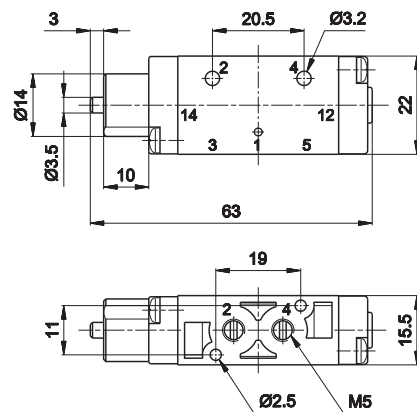
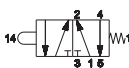
Tappet valve



- 1 = Supply port
- 2 - 4 = Use
- 3 - 5 = Exhaust
- 14 = Control
- 12 = Return

Weight (Kg): 0,066

Symbol	Control	Return	Part no.
	14	12	
5/2	ball-push	mechanical spring	E-15402A



Ball-pushrod valve for mechanical screw operator



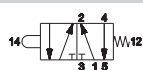
A Wrench 17

- 1 = Supply port
- 2 - 4 = Use
- 3 - 5 = Exhaust
- 14 = Control
- 12 = Return

Weight (Kg): 0,066

Symbol	Control	Return	Part no.
	14	12	

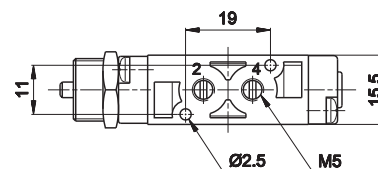
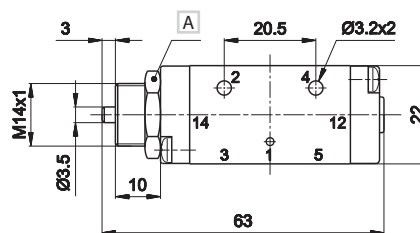
5/2



ball-pushrod

mechanical spring

E-15403A



PNEUMATIC AND MECHANICAL ACTUATORS

	Pneumatic actuator	AI-3550	
	Amplified pneumatic actuator	AI-3551	
	Roller operator 1 position	AI-3560	
	Ball-push operator 1 position	AI-3562	
	Omni-directional operator	AI-3563	
	Roller lever operator 1 position	AI-3570	
	Articulated roller lever operator 1 position Complete actuation with stroke 2,5 mm max stroke 4,7 mm	AI-3571	
	Key operator 1 position	AI-3572	

MANUAL ACTUATORS

	Recessed button	<ul style="list-style-type: none"> ■BLACK AI-3511 ■RED AI-3512 ■GREEN AI-3513 	
	Head button	<ul style="list-style-type: none"> ■RED AI-3514 ■BLACK AI-3516 ■RED AI-3514D ■BLACK AI-3516D 	
	Button	<ul style="list-style-type: none"> ■GREEN AI-3515 ■RED AI-3517 ■BLACK AI-3519 	
	Rotating selector	<ul style="list-style-type: none"> ■BLACK AI-3520 ■BLACK AI-3521 	
	Rotating lever selector	<ul style="list-style-type: none"> ■BLACK AI-3522 ■BLACK AI-3523 	
	Lever	■BLACK AI-3524	
	Omni-directional operator	■BLACK AI-3525	
	Push-pull operator	■BLACK AI-3526	

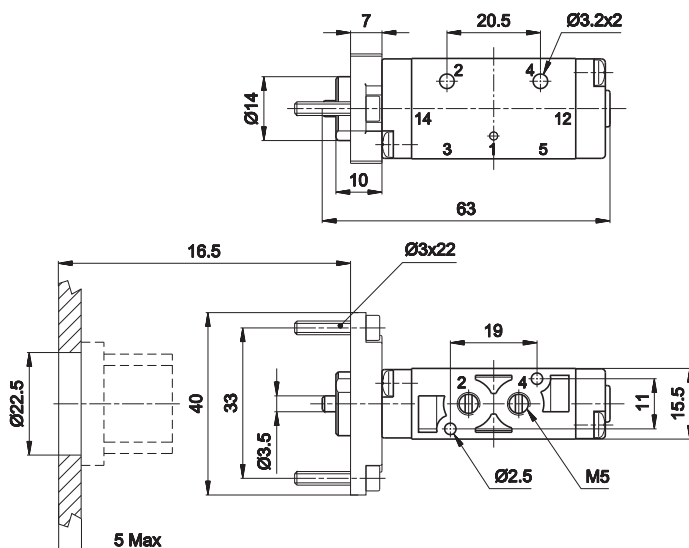
For technical features of actuators, see section "Accessories>Buttons"

Valve for panel mounting mechanical operator



- 1 = Supply port
- 2 - 4 = Use
- 3 - 5 = Exhaust
- 14 = Control
- 12 = Return

Weight (Kg): 0,082



Symbol	Control	Return	Part no.
	14	12	
5/2	ball-push	mechanical spring	E-15412A

MANUAL ACTUATORS

	Recessed button	<ul style="list-style-type: none"> ■BLACK AI-3511Q ■RED AI-3512Q ■GREEN AI-3513Q 	
	Head button	<ul style="list-style-type: none"> ■RED AI-3514Q ■BLACK AI-3516Q ■RED AI-3514QD ■BLACK AI-3516QD 	
	Button	<ul style="list-style-type: none"> ■GREEN AI-3515Q ■RED AI-3517Q ■BLACK AI-3519Q 	
	Rotating selector	<ul style="list-style-type: none"> ■BLACK AI-3520Q ■BLACK AI-3521Q 	
	Rotating lever selector	<ul style="list-style-type: none"> ■BLACK AI-3522Q ■BLACK AI-3523Q 	
	Lever	<ul style="list-style-type: none"> ■BLACK AI-3524Q 	
	Omni-directional operator	<ul style="list-style-type: none"> ■BLACK AI-3525Q 	
	Push-pull operator	<ul style="list-style-type: none"> ■BLACK AI-3526Q 	

For technical features of actuators, see section "Accessories>Buttons"

3