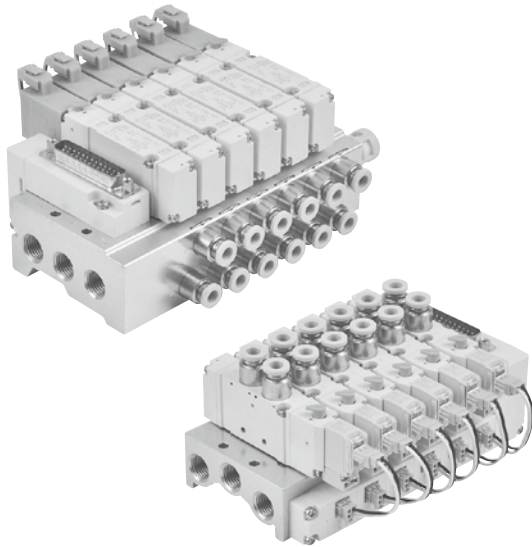


# MVB-156 series

## MULTI CONNECTOR SYSTEM

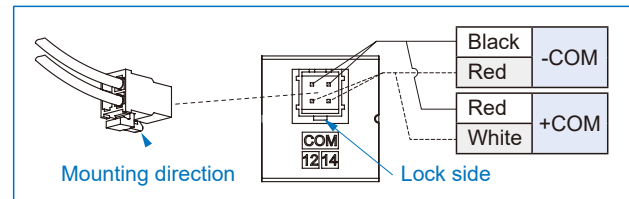


### Specification

- 25-Pin D-sub connector.
- Simple electric wire system.
- Max. operating frequency: 5Hz.

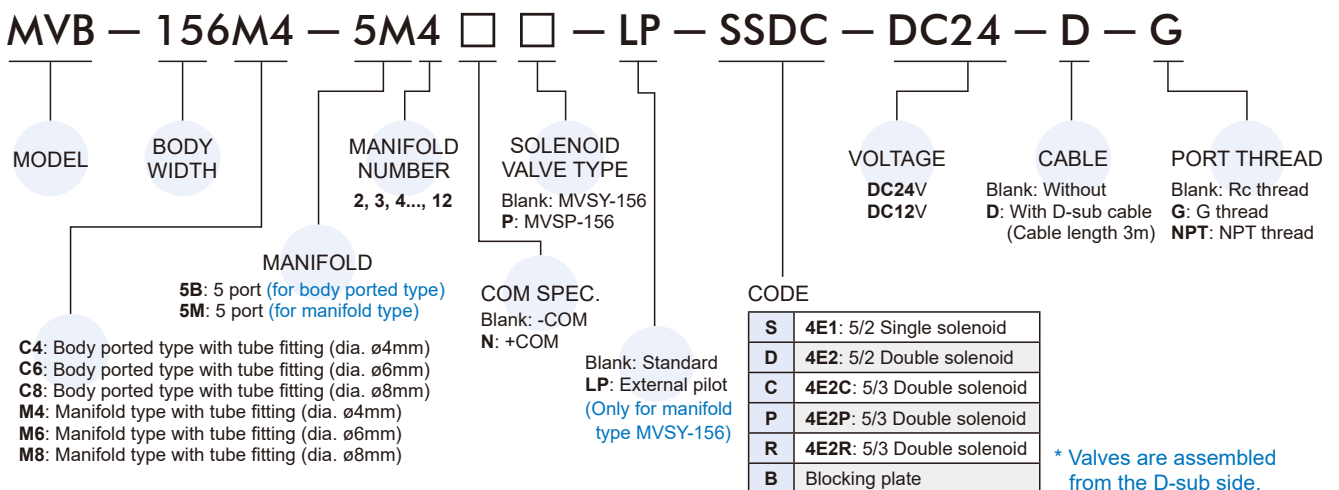
### Remark

- Maximum stations  
4E1: 12 stations  
4E2 & 4E2C.P.R: 11 stations
- For MVSY-156 series solenoid valve only (Only with LJ plug type).
- For MVSP-156 series solenoid valve only (Only with H plug type).

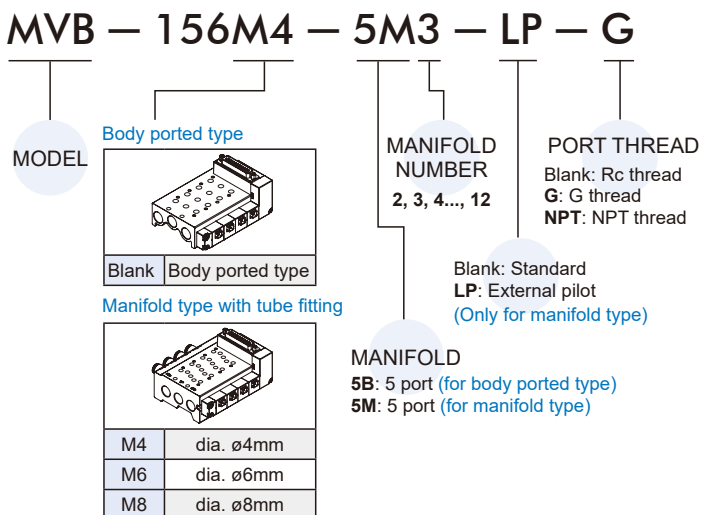


- \* PLC type (PNP output) is applied to -COM.
- \* PLC type (NPN output) is applied to +COM.

### Order example (Multi connector system)



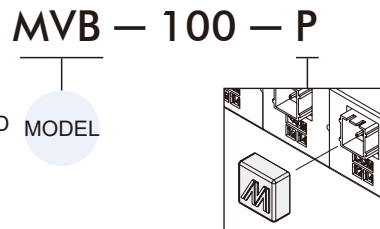
### Order example of circuit board and manifold



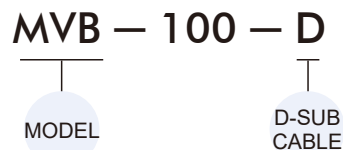
\* LP type manifold needs to match LP type valve.

### Order example of protective plate

\* Use the same accessories with MVB-100.



### Order example of cable



### Order example of wire

\* Use the same wire with MVB-100, please refer to page 1-100.

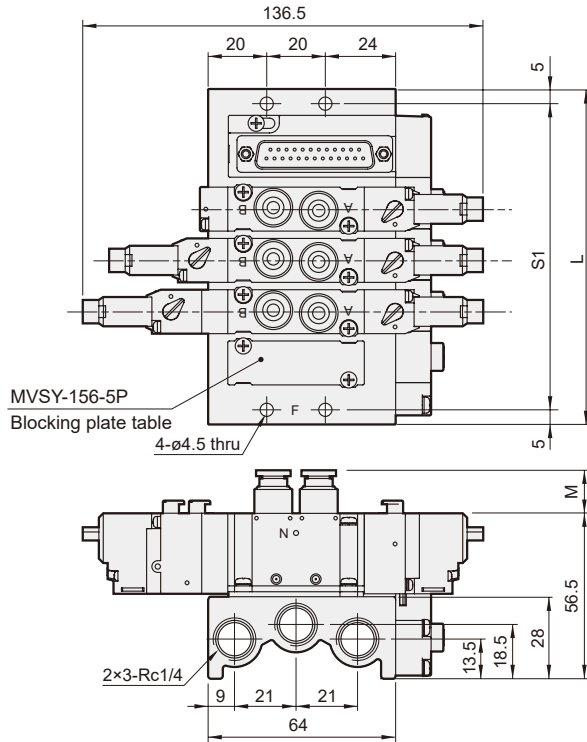
# MVB-156 With MVSY-156

## MULTI CONNECTOR SYSTEM



### MVB-156C\*-5B\*

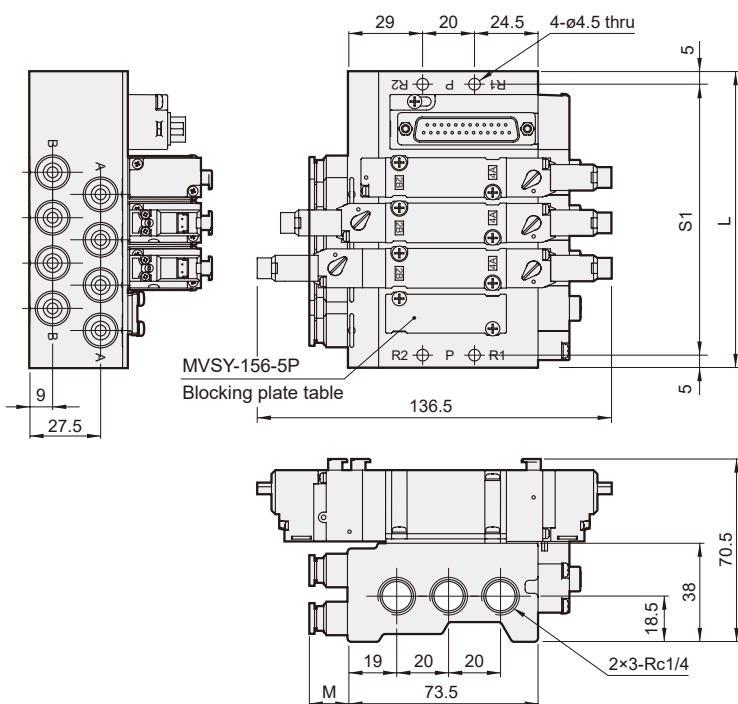
5 port (for body ported type)



No. of stations	L	S1
2	79.5	69.5
3	97	87
4	114.5	104.5
5	132	122
6	149.5	139.5
7	167	157
8	184.5	174.5
9	202	192
10	219.5	209.5
11	237	227
12	254.5	244.5
Code Tube fitting	<b>M</b>	
C4 (ø4)	(13.8)	
C6 (ø6)	(14.7)	
C8 (ø8)	(19.3)	

### MVB-156M\*-5M\*

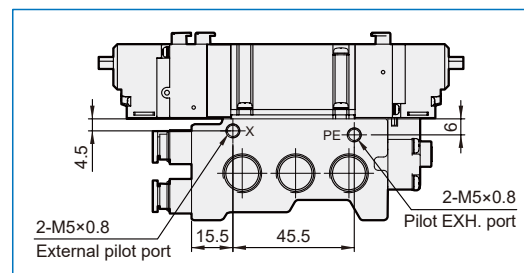
5 port (for manifold type)



No. of stations	L	S1
2	79.5	69.5
3	97	87
4	114.5	104.5
5	132	122
6	149.5	139.5
7	167	157
8	184.5	174.5
9	202	192
10	219.5	209.5
11	237	227
12	254.5	244.5
Code Tube fitting	<b>M</b>	
C4 (ø4)	(13.8)	
C6 (ø6)	(14.7)	
C8 (ø8)	(19.3)	

### LP

External pilot



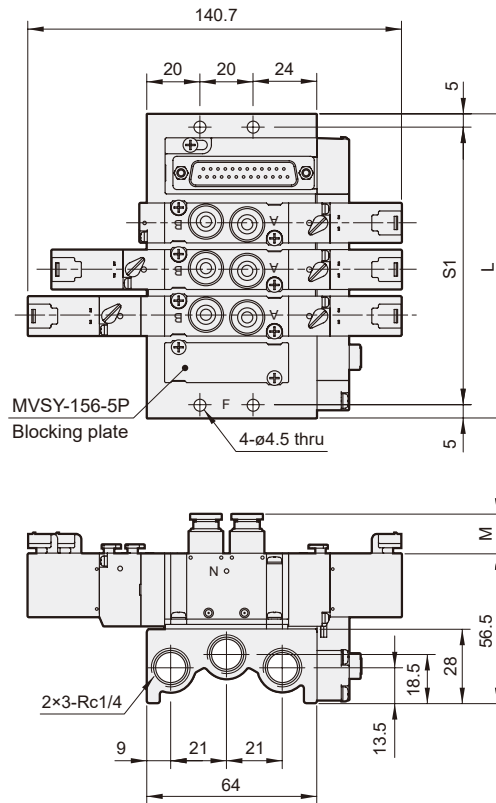
# MVB-156 With MVSP-156

## MULTI CONNECTOR SYSTEM



### MVB-156C\*-5B\*P\*

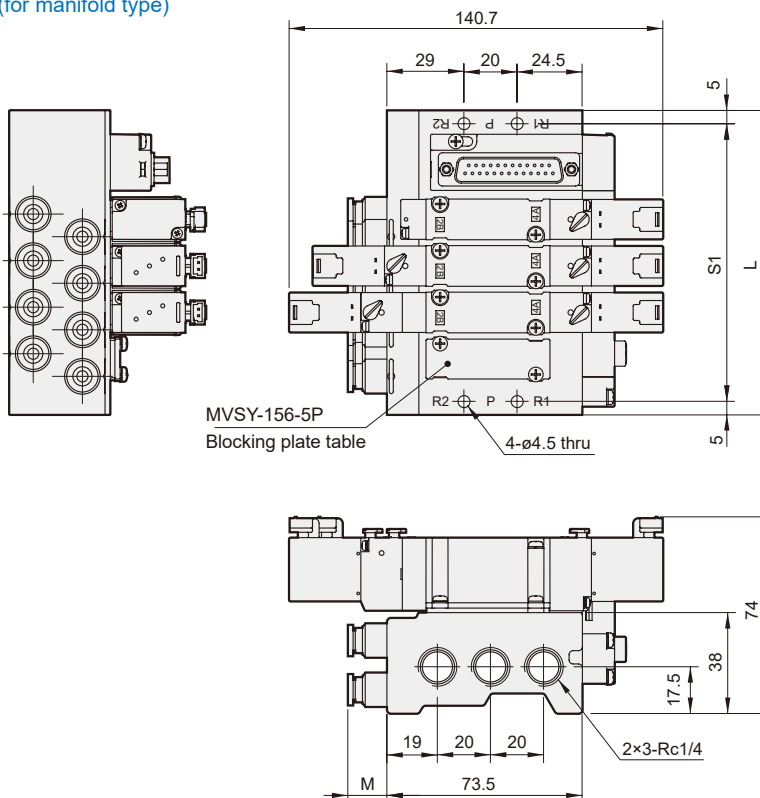
5 port (for body ported type)



No. of stations	L	S1
2	79.5	69.5
3	97	87
4	114.5	104.5
5	132	122
6	149.5	139.5
7	167	157
8	184.5	174.5
9	202	192
10	219.5	209.5
11	237	227
12	254.5	244.5
Code Tube fitting	<b>M</b>	
C4 (ø4)	(13.8)	
C6 (ø6)	(14.7)	
C8 (ø8)	(19.3)	

### MVB-156M\*-5M\*P\*

5 port (for manifold type)



No. of stations	L	S1
2	79.5	69.5
3	97	87
4	114.5	104.5
5	132	122
6	149.5	139.5
7	167	157
8	184.5	174.5
9	202	192
10	219.5	209.5
11	237	227
12	254.5	244.5
Code Tube fitting	<b>M</b>	
C4 (ø4)	(13.8)	
C6 (ø6)	(14.7)	
C8 (ø8)	(19.3)	

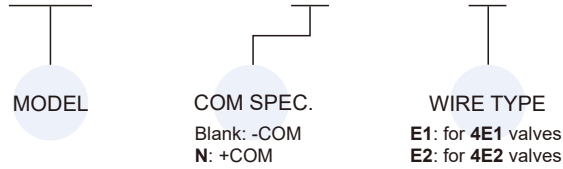
# MVB-100 / 156 Order example of wire

## MULTI CONNECTOR SYSTEM

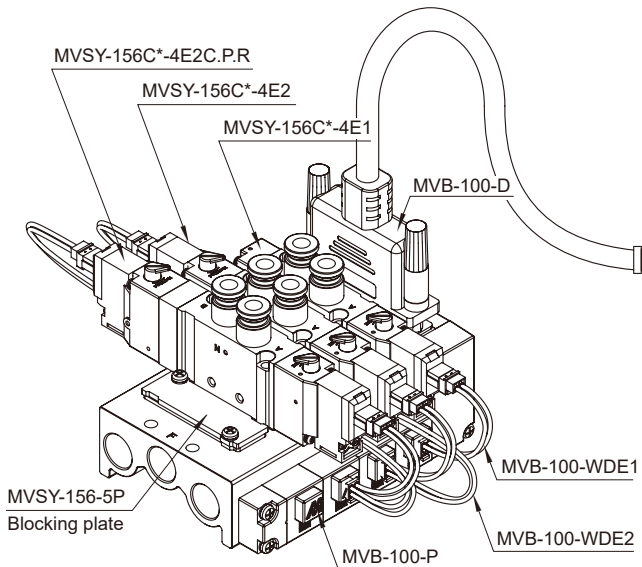


Order example of wire \* MVB-100, MVB1-100 and MVB-156 use the same accessories.

### MVB — 100 — — WDE1



### 25 PIN



Wire color	Pin No.	Coil No.	Polarity	
			-COM	+COM
Brown	1	D-01	+	-
Purple / white	14	D-02	+	-
Brown / white	2	D-03	+	-
Gray	15	D-04	+	-
Red	3	D-05	+	-
Gray / black	16	D-06	+	-
Red / black	4	D-07	+	-
White	17	D-08	+	-
Orange	5	D-09	+	-
White / black	18	D-10	+	-
Orange / black	6	D-11	+	-
Pink	19	D-12	+	-
Yellow	7	D-13	+	-
Pink / black	20	D-14	+	-
Yellow / black	8	D-15	+	-
White / red	21	D-16	+	-
Green	9	D-17	+	-
White / blue	22	D-18	+	-
Green / black	10	D-19	+	-
Light blue	23	D-20	+	-
Blue	11	D-21	+	-
Light blue / black	24	D-22	+	-
COM	13	COM	-	+
Light green	25	COM	-	+

