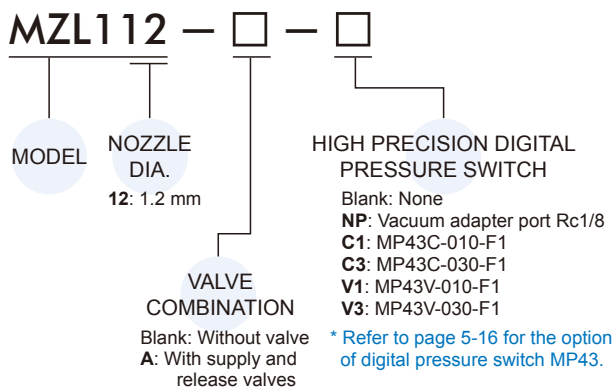


MZL112 series

MULTISTAGE VACUUM PUMP



Order example



Features

- Adopt 3-stage cartridge, enhancing vacuum flow and saving air consumption.
- Optional solenoid valve and vacuum pressure switch.
- Internal vacuum filter and vacuum silencer. The filter element is replaceable.
- A variety of installation directions are available.

Specification

Model	MZL112
Nozzle dia.	1.2 mm
Max. suction flow	100 ℓ/min
Air consumption	63 ℓ/min
Max. vacuum pressure	-84 kPa
Max. operating pressure	0.7 MPa
Supply pressure range	0.2~0.5 MPa
Standard supply pressure	0.4 MPa
Operating temperature range	+5~+50°C
Noise	70 decibel
Weight	450 g

Supply / Release valve specifications

Type of valve actuation	Internal pilot type N.C.
Operating pressure range	0.2~0.5 MPa
Ambient and fluid temperature	+5~+50°C (No freezing)
Response time (for 0.5 MPa)	25ms or less
Max. operating frequency	5Hz
Manual operation	Push and swing lock type (operate with a screwdriver)
Pilot exhaust type	Pilot valve individual exhaust type, Main valve / Pilot valve common exhaust.
Rated voltage	DC24V
Lead wire	L plug connector, lead wire length 0.3m
Lubrication	Not required
Mounting position	Unrestricted
Impact / Vibration resistance	150 / 30 m/s ²
Enclosure	Dust proof

* Without indicator light and surge voltage suppressor.

MZL112 Capacity

MULTISTAGE VACUUM PUMP



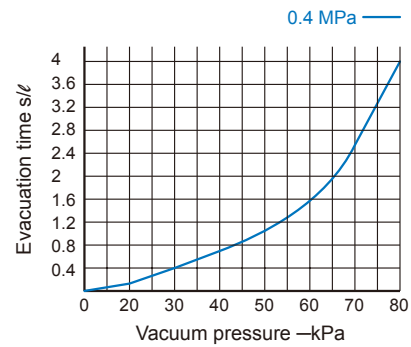
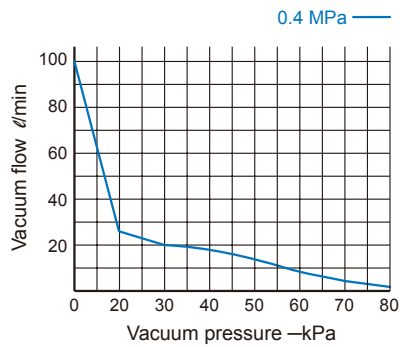
Vacuum flow(ℓ/min) at different vacuum levels (-kPa)

Supply pressure	Air consumption	Vacuum flow(ℓ/min) at different vacuum levels (-kPa)										Max. vacuum level
		0	10	20	30	40	50	60	70	80		
0.4 MPa	63 ℓ/min	100	65	26	20	18.5	13	8	5	2.8	-84 kPa	
		0	10	20	30	40	50	60	70	80		

Evacuation time(s/ℓ) to reach different vacuum levels (-kPa)

Supply pressure	Air consumption	Evacuation time(s/ℓ) to reach different vacuum levels (-kPa)										Max. vacuum level
		10	20	30	40	50	60	70	80			
0.4 MPa	63 ℓ/min	0.05	0.17	0.4	0.67	1.07	1.63	2.46	3.9	-84 kPa		
		10	20	30	40	50	60	70	80			

Vacuum characteristics



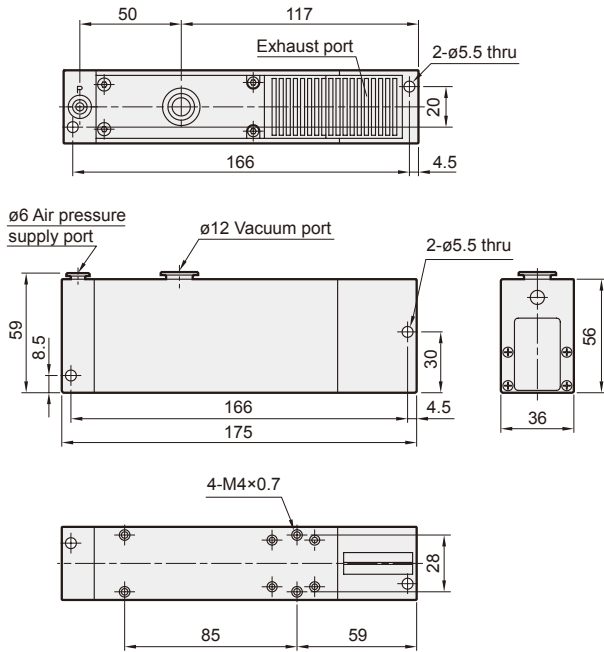
MZL112 Dimensions

MULTISTAGE VACUUM PUMP



MZL112

Standard

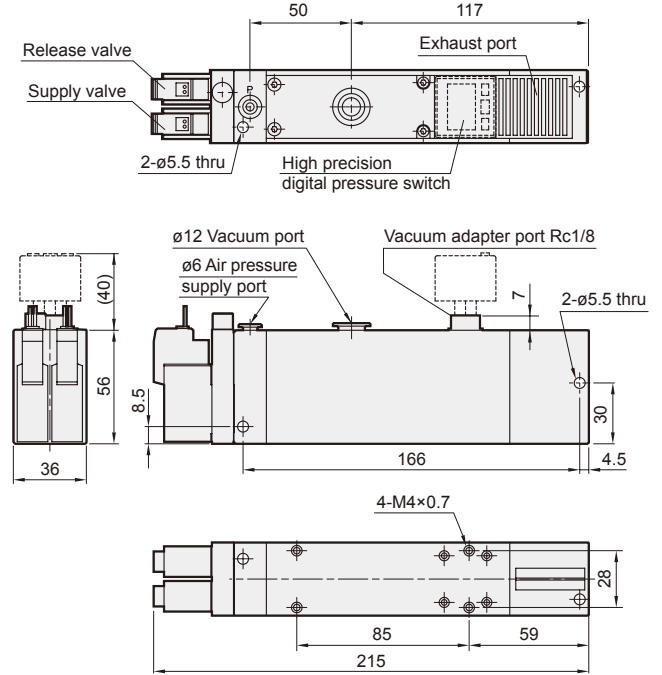


MZL112-A-NP

Vacuum adapter port

MZL112-A-C*

With high precision digital pressure switch



MZL112-NP

Vacuum adapter port

MZL112-C*

With high precision digital pressure switch

