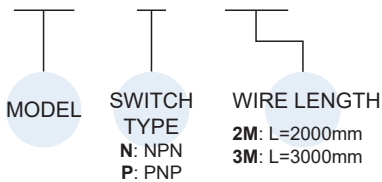
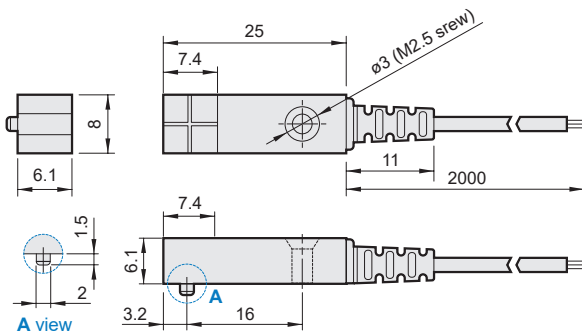


Order example

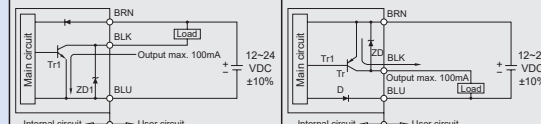
RJF — N — 2M



Dimension



Specification

Model	RJF-N	RJF-P
Supply voltage	12~24VDC± 10%, Pulsation(P-P)10% less	
Current consumption	<10mA	
Load current	100mA	
No load current	<0.01mA No-load	
Detection distance	0~2 mm	
Min. detection object	1×8×8 (Iron)	
Ripple	<1.5VDC(Load 100mA,wire 2M)	
Repeat accuracy	<1% Detection distance	
Frequency	600 HZ	
Power reverse connection protection	Yes	
Output short circuit protection	Yes	
Switching output	NPN, N.O.	PNP, N.O.
Ambient operating temperature	-25 ~ 70°C	
Temperature drift	<10% Detection distance	
Enclosure rating	IP67	
Voltage withstand	100VAC 50~60HZ 1min	
Insulation resistance	>20MΩ	
Connection type	ø3×2M/3M, 3-wires	
Housing material	ABS/PBT	
Accessories	M2.5 screw ×1, M2.5 nut ×1	
Weight	Approx. 24g (2M), 36g (3M)	
Connect diagram		

* Caution for safety please refer to page 7-8~9.

Assembling style

Cylinder type	Mounting
MERE	