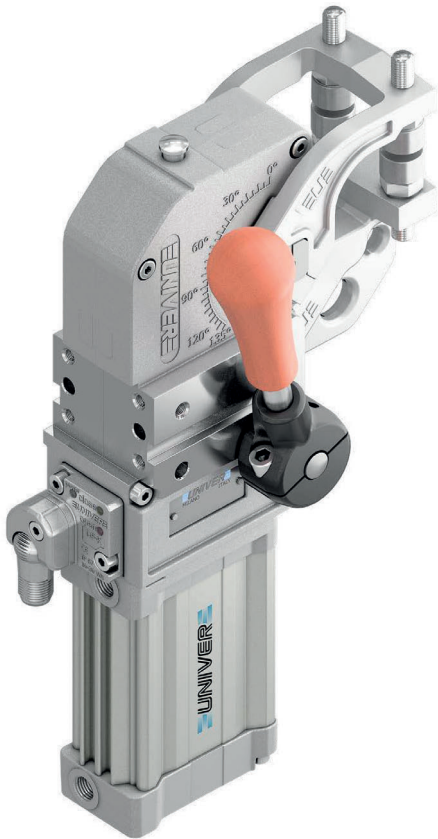


UGM 40

Pneumatic gripper unit Ø40 mm with hand lever

Pneumatic gripper unit Ø40 mm with hand lever typically used on End of Arm Tooling Systems for handling work pieces.

- Stepless adjustable opening angle
- Toggle-joint mechanism
- Integrated compensation
- Double or single movement
- Tips customisation
- Hand lever mounts on both sides
- Fixing pattern on 3 sides



CHARACTERISTICS

Operating temperature	5° ÷ 45° C
Min./Max. Operating pressure	0,4 / 0,6 MPa
Opening angle*	0° ÷ 95°
Bore Ø	40 mm
Holding moment	600 Nm
Clamping moment (0,5 Mpa)	2800 N
Weight (Tips not included)	2,4 Kg
Tip weight (each)	0,3 Kg
Pneumatic supply ports	G1/8 on both sides
Sensor	electronic (optical)
Supply voltage	10 ÷ 30 Vdc
IP code	IP 65

*The opening angle range may vary according to the arm position and style.

CODIFICATION KEY

UG | M | 40 | V | B | S | K | 0 | |

1 2 3 4 5 6 7 8 9



COMPENSATION



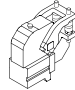
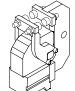
IRREVERSIBLE



ANGLE ADJUSTMENT

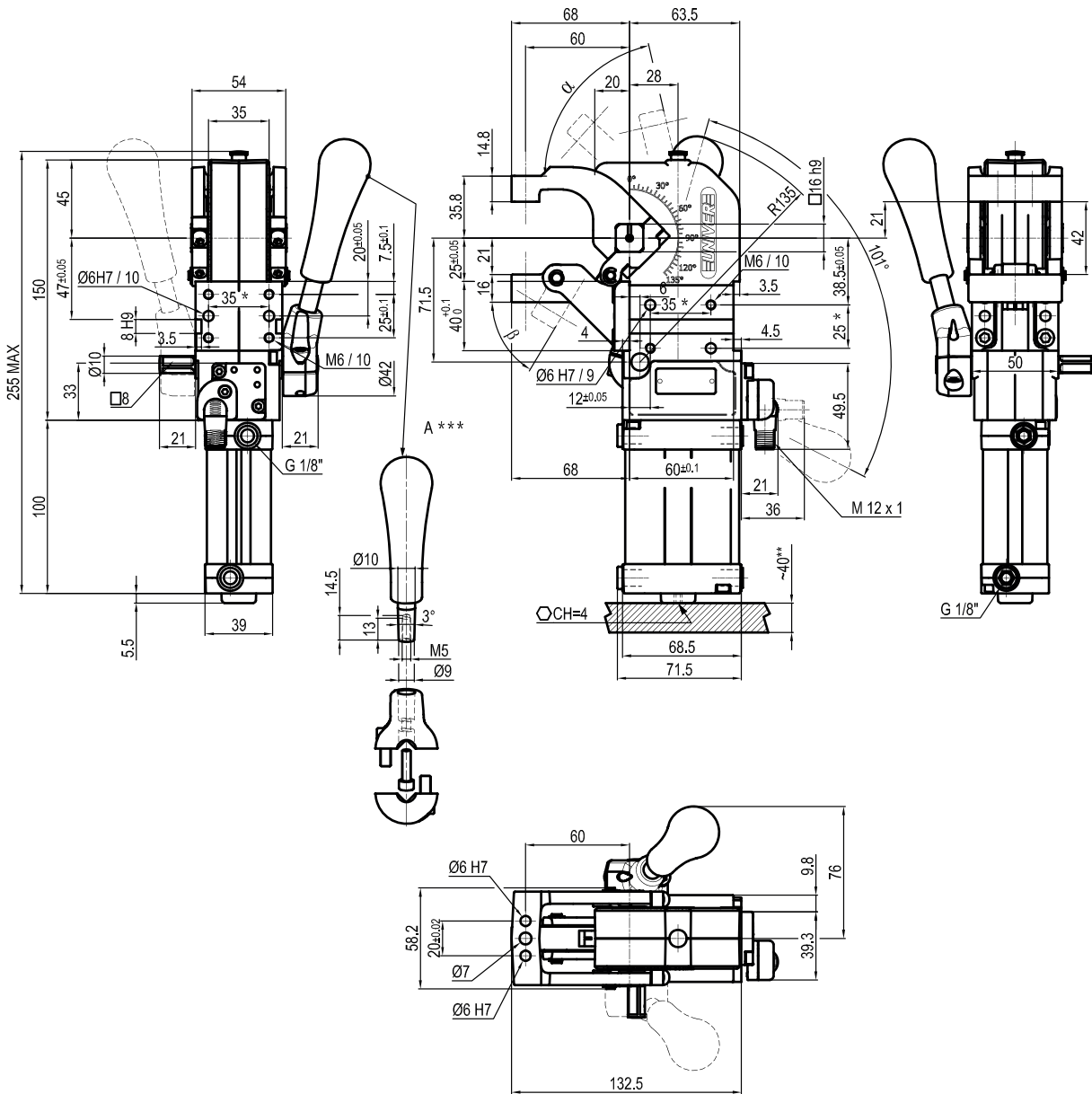


OPTICAL SENSOR

1	SERIES UG = UNICLAMP Gripper units	6	JAW MATERIAL S = Steel jaws
2	VERSION M = Pneumatic with hand lever	7	SENSOR N = No sensor (with protection plate) K = Electronic sensor PNP, M12 (DF-K) J = Electronic sensor NPN, optical (DF-J) Y = Electronic sensor PNP, M12 (DF-Y) white LED
3	SIZE 40 = Ø 40 mm	8	PRODUCT REVISION Assigned by UNIVER
4	JAW POSITION V = 90°  O = 180° 	9	ATEX X = ATEX option See ATEX Catalogue for types and versions
5	MOVEMENT H = Double movement; no tips* F = Double movement; 1 pair of flat tips* B = Double movement; 2 pairs of flat tips* L = Single movement; 2 pairs of flat tips* 1 = Single movement; 1 pair of knurled tips 2 = Single movement; 2 pairs of knurled tips		

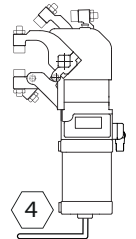
*available only for "V" jaw position

V/H | **Jaw position and Movement**
90° - Double movement; No tips



α Max. 77° β Max. 59°

* TOLERANCE BETWEEN DOWELS $\pm 0,02$, BETWEEN SCREW HOLES $\pm 0,1$
 ** AREA TO ACCESS ANGLE ADJUSTMENT
 *** DIMENSIONS TO BE RESPECTED IN CASE OTHER MANUAL LEVERS ARE USED



Sensors



Electronic (optical)

- DF-K PNP M12
- DF-J NPN M12
- DF-Y PNP M12 White LED

Accessories

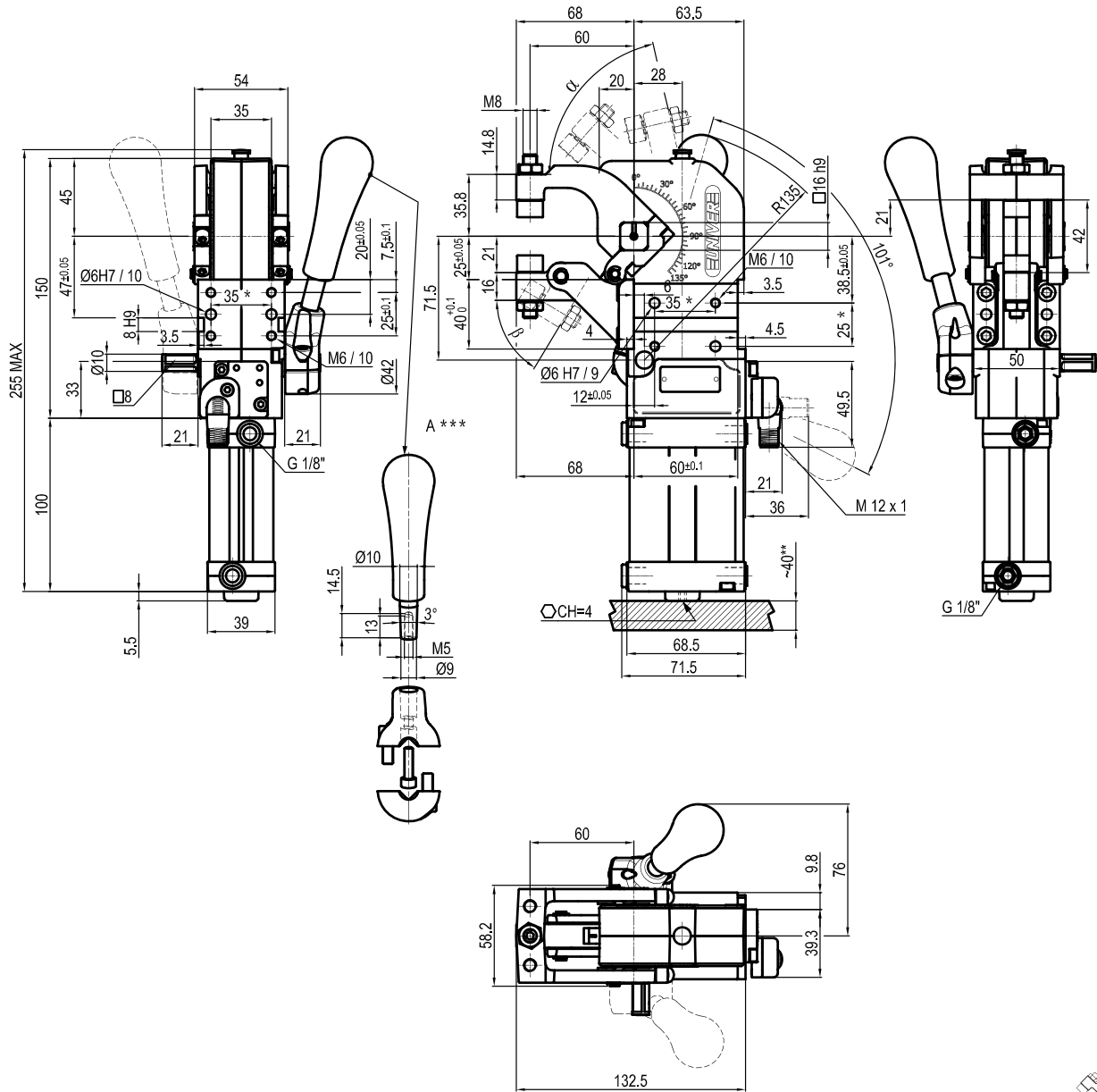


Handlever

UBF2540

V/F | Jaw position and Movement
90° - Double movement; One tip

4



α Max. 77° β Max. 59°

* TOLERANCE BETWEEN DOWELS $\pm 0,02$, BETWEEN SCREW HOLES $\pm 0,1$
 ** AREA TO ACCESS ANGLE ADJUSTMENT
 *** DIMENSIONS TO BE RESPECTED IN CASE OTHER MANUAL LEVERS ARE USED

Sensors

Tips

Accessories



Electronic (optical)

- DF-K PNP M12
- DF-J NPN M12
- DF-Y PNP M12 White LED



2x

Flat
Self adjusting

LKPR1842-11



2x

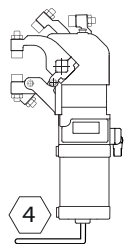
Knurled

LGPK6940A-L

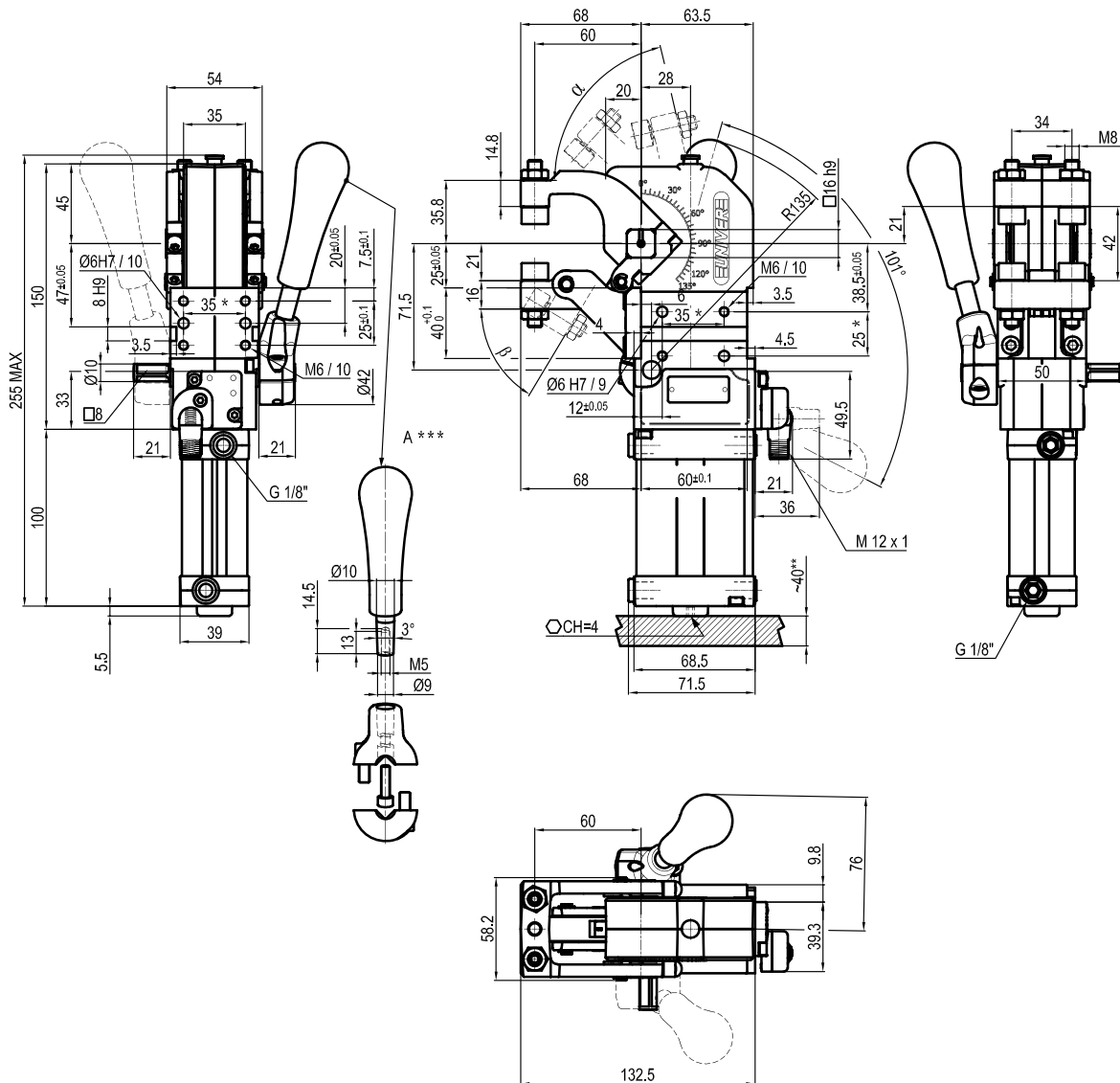


Handlever

UBF2540



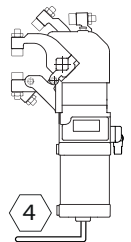
V/B | **Jaw position and Movement**
90° - Double movement; Two tips



4

α Max. 77° β Max. 59°

* TOLERANCE BETWEEN DOWELS ± 0,02, BETWEEN SCREW HOLES ± 0,1
** AREA TO ACCESS ANGLE ADJUSTMENT
*** DIMENSIONS TO BE RESPECTED IN CASE OTHER MANUAL LEVERS ARE USED



Sensors

Tips

Accessories



Electronic (optical)

Flat
Self adjusting

Knurled

Handlever

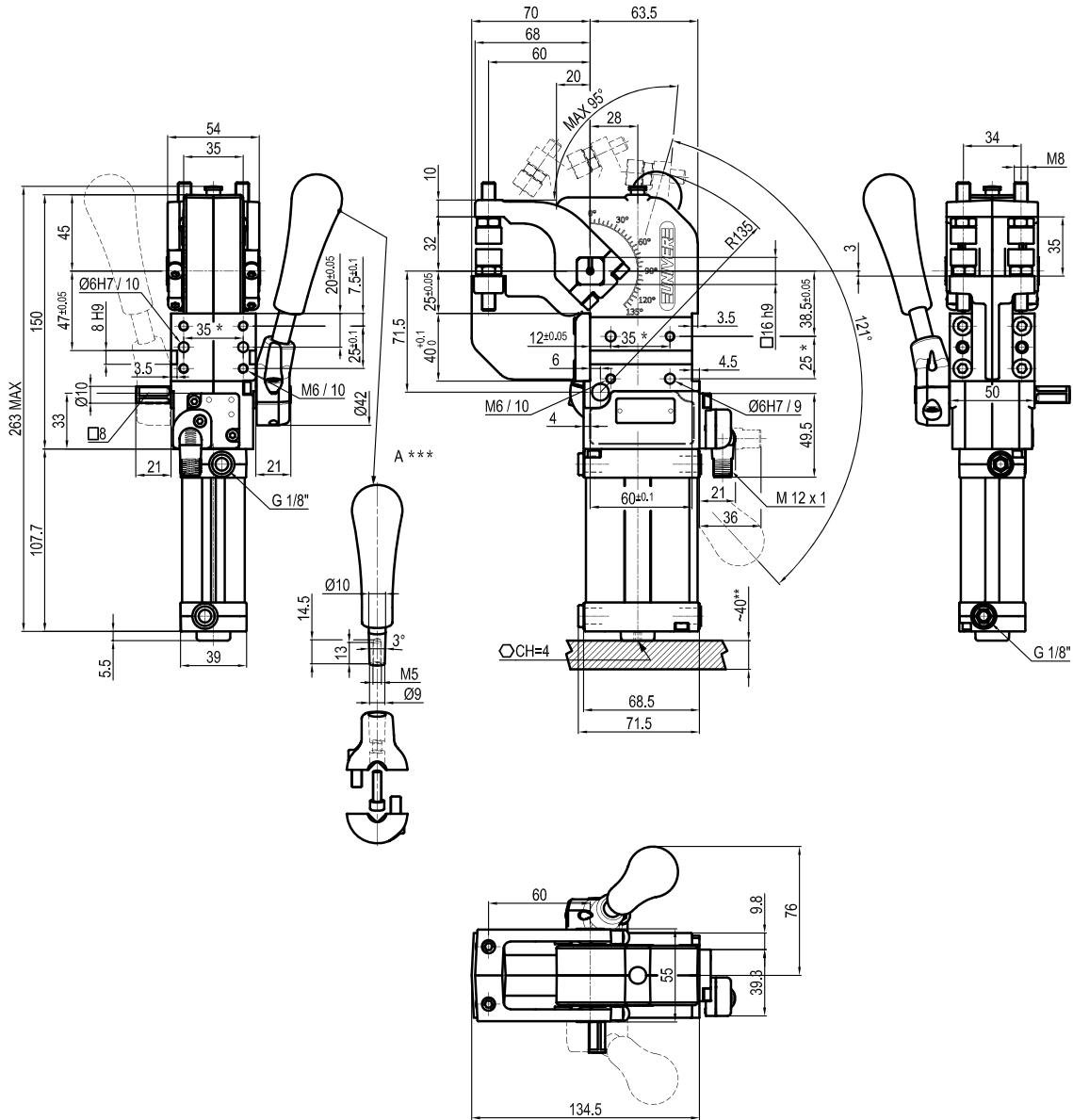
DF-K PNP M12
DF-J NPN M12
DF-Y PNP M12 White LED

LKPR1842-11

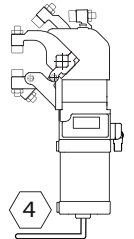
LGPK6940A-L

UBF2540

V/L | **Jaw position and Movement**
90° - Single movement; Two tips



* TOLERANCE BETWEEN DOWELS ± 0,02, BETWEEN SCREW HOLES ± 0,1
** AREA TO ACCESS ANGLE ADJUSTMENT
*** DIMENSIONS TO BE RESPECTED IN CASE OTHER MANUAL LEVERS ARE USED



Sensors

Tips

Accessories



Electronic (optical)

Flat
Self adjusting

Knurled

Handlever

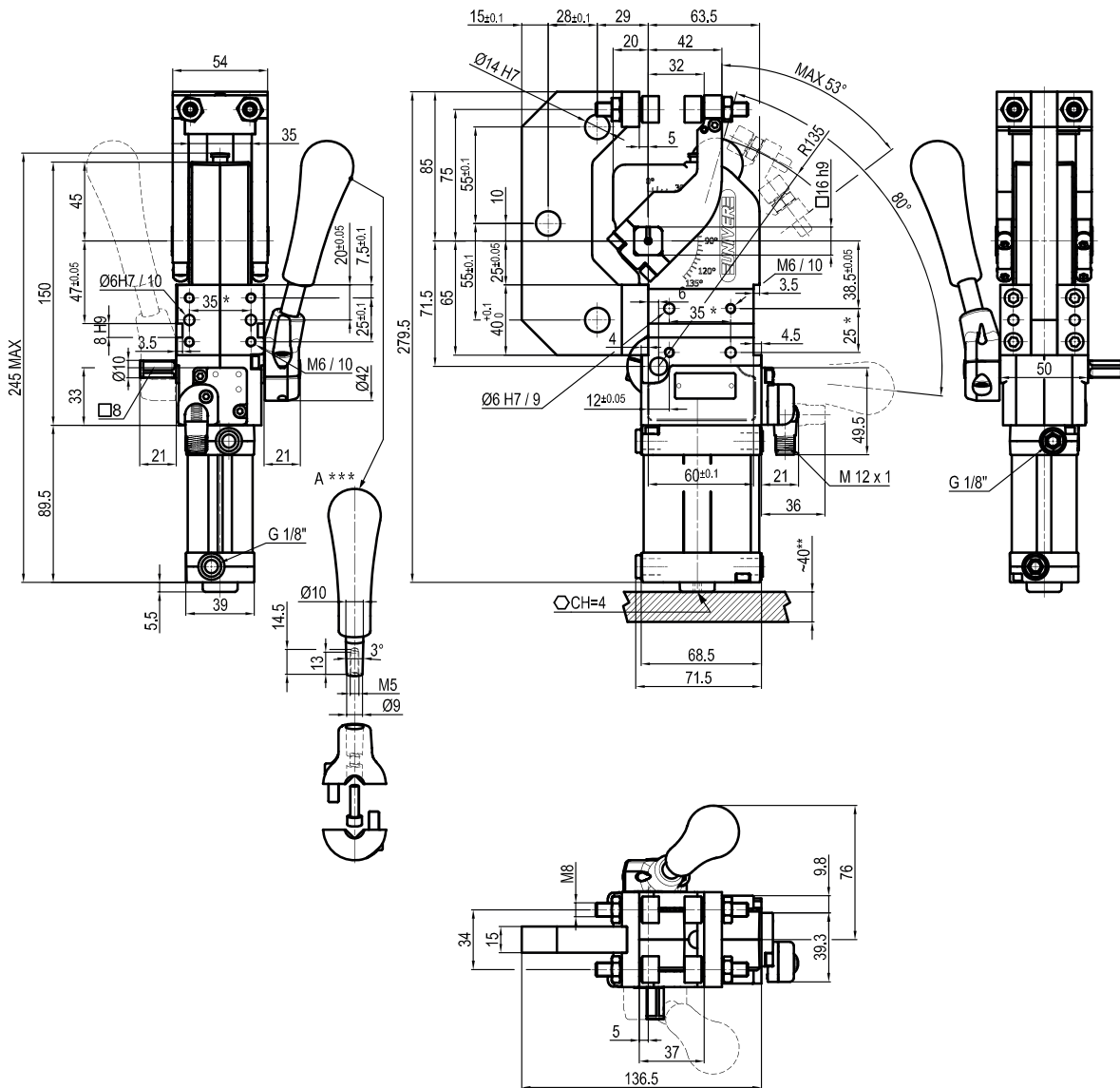
- DF-K PNP M12
- DF-J NPN M12
- DF-Y PNP M12 White LED

LKPR1842-11

LGPK6940A-L

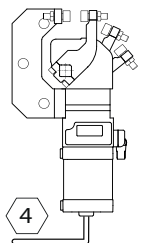
UBF2540

O/L | **Jaw position and Movement**
180° - Single movement; Two tips



4

* TOLERANCE BETWEEN DOWELS ± 0,02, BETWEEN SCREW HOLES ± 0,1
 ** AREA TO ACCESS ANGLE ADJUSTMENT
 *** DIMENSIONS TO BE RESPECTED IN CASE OTHER MANUAL LEVERS ARE USED



Sensors

Tips

Accessories



Electronic (optical)

Flat
Self adjusting

Knurled

Handlever

DF-K PNP M12
 DF-J NPN M12
 DF-Y PNP M12 White LED

LKPR1842-11

LGPK6940A-L

UBF2540