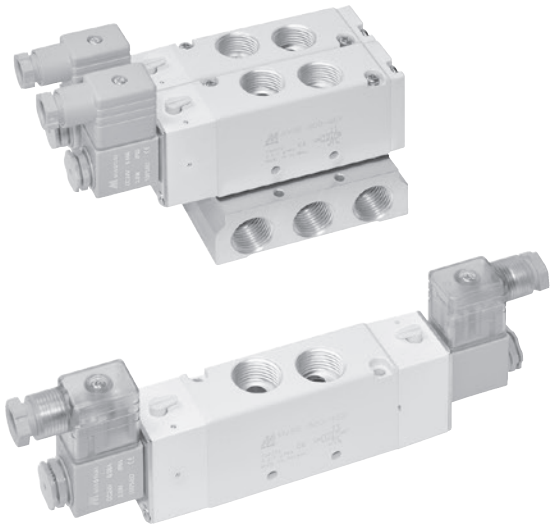


# MVSE-500 series

## SOLENOID VALVE



Mindman



### Specification

Model	4E1	4E2
Bore No.	15A	
Port size	1/2	
No. of port	5	
No. of position	2	
Medium	Air	
Operating pressure range	0.2~1.2 MPa	
Proof pressure	1.5 MPa	
Effective orifice	41 mm <sup>2</sup>	
Response time	50 ms	
Ambient temperature	-5~+50°C (No freezing)	
Voltage	AC110V, 220V (50/60)Hz, DC24V	
Power consumption	AC=4.8/4.4VA, 6/4.9VA, DC=2W	
Available voltage range	±10%	
Insulation class	F class	
Weight	453 g	554 g

### Order example of valve

MVSE — 500 — 4E2 — AC110 — L — G

MODEL

BODY WIDTH

VOLTAGE  
AC220V(50/60)Hz  
AC110V(50/60)Hz  
DC24V

ELECTRIC CONNECTION  
Blank: DIN terminal  
L: DIN terminal with LED indicator  
E: Explosion protection (Table 1)

PORT THREAD  
Blank: Rc thread  
G: G thread  
NPT: NPT thread

4: 4 way (5 port)

E1: Single Solenoid  
E2: Double Solenoid

(E type use black coil)

Table 1

### Property for explosion-proof type

Anti-explosion class	EEx m II T4
Voltage	AC110V, 220V, (50/60)Hz, DC24V.
Power consumption	AC=4.4VA DC=5W
Available voltage range	±10%
Insulation class	F class
Wire length	3 m

### Order example of manifold

MVSE — 500 — 5B3 — G

MODEL

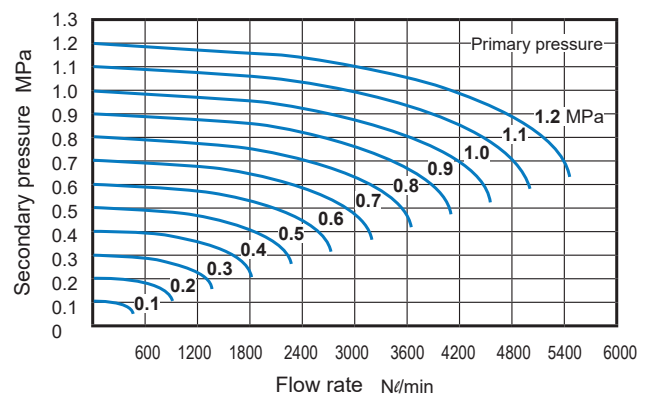
MANIFOLD  
5B: 5 port (for body ported type)

MANIFOLD NUMBER  
1~12

PORT THREAD  
Blank: Rc thread  
G: G thread  
NPT: NPT thread

\* Starting from 11 stations, manifolds are made to order.

### Flow features

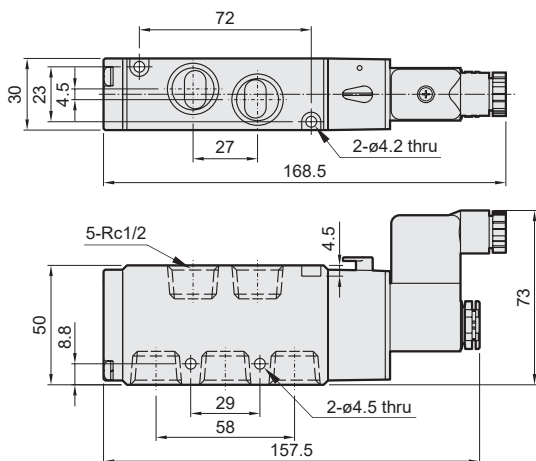
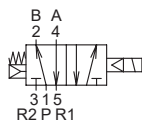


# MVSE-500 Dimensions

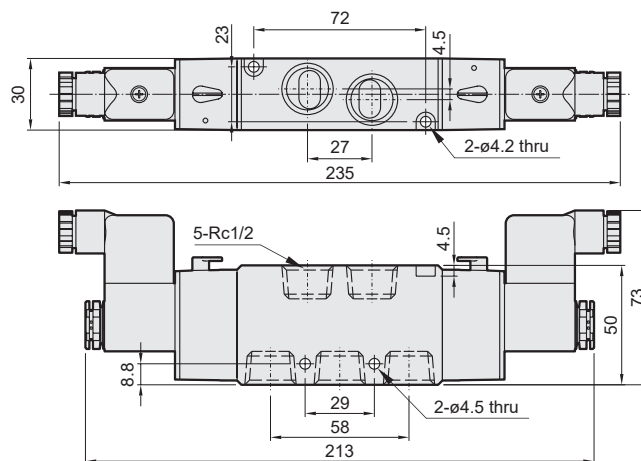
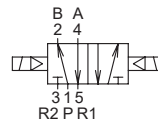
## SOLENOID VALVE



### MVSE-500-4E1



### MVSE-500-4E2



## Manifold of solenoid valve

### MVSE-500-5B\*

5 port (for body ported type)

No. of stations	P	L
1	40	50
2	71	81
3	102	112
4	133	143
5	164	174
6	195	205
7	226	236
8	257	267
9	288	298
10	319	329

P: (No. of stations-1)×31+40

L: (No. of stations-1)×31+50

