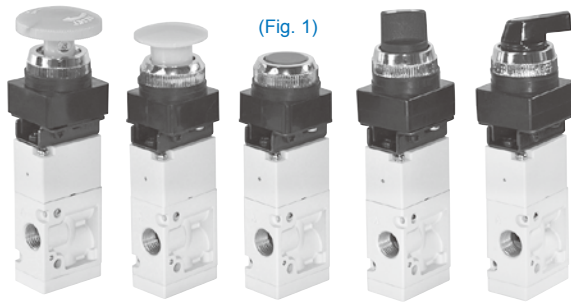


MVMB-220-3** series

MECHANICAL VALVE

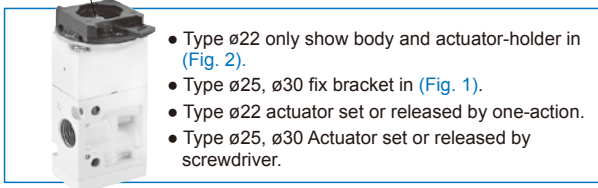


(Fig. 1)

Specification

Model	MVMB-220-3**
Bore No.	8A
Port size	Rc1/4
No. of port	3
No. of position	2
Medium	Air
Operating pressure range	0.15~0.8 MPa
Proof pressure	1 MPa
Effective orifice	18 mm ²
Ambient temperature	-5~+60°C (No freezing)
Weight	210 g

Actuator-holder (Fig. 2)



Order example

MVMB — 220 — 3EB — 25R — G

MODEL

BODY WIDTH

3: 3way (3 port)

BUTTON SIZE

22: ø22
25: ø25
30: ø30

BUTTON COLOR

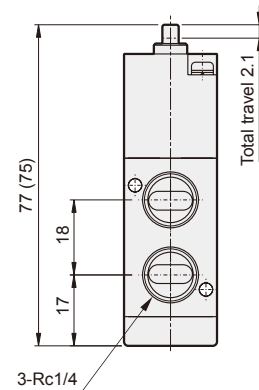
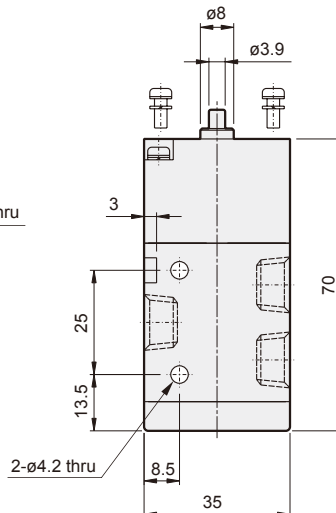
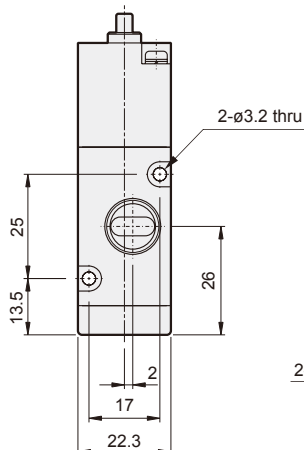
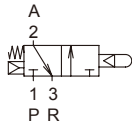
Color	Type
—	B1 type
G : Green	EB type
R : Red	
B : Black	LB type TB type
B : Black	
G : Green	PB type PP type
R : Red	

PORT THREAD

Blank: Rc thread
G: G thread
NPT: NPT thread

B1: Body (without button)
EB: Latching palm button
LB: Extended twist button
TB: Twist button
PB: Mushroom palm button
PP: Push button

MVMB-220-3B1



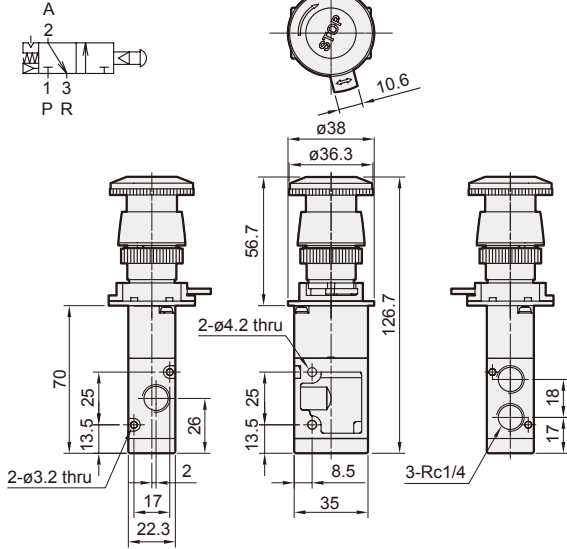
() : for EB type

MVMB-220-3** Dimensions

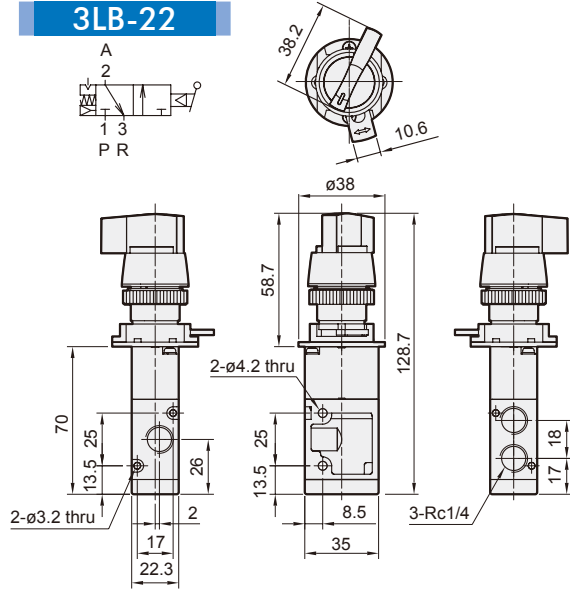
MECHANICAL VALVE



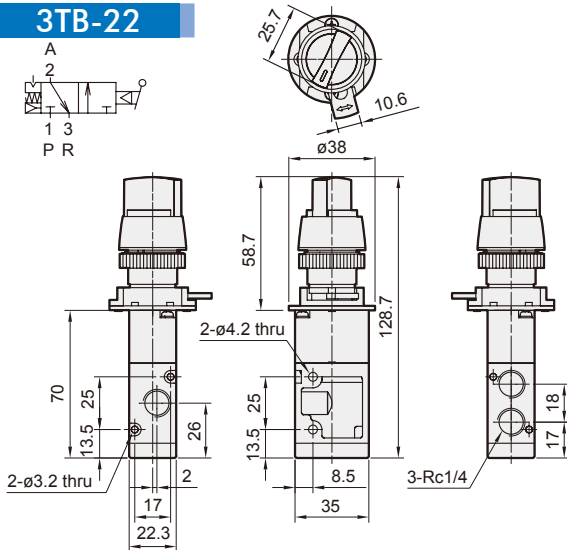
3EB-22



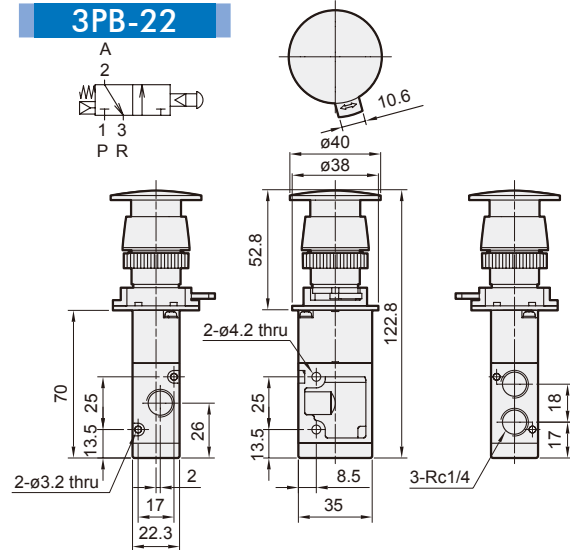
3LB-22



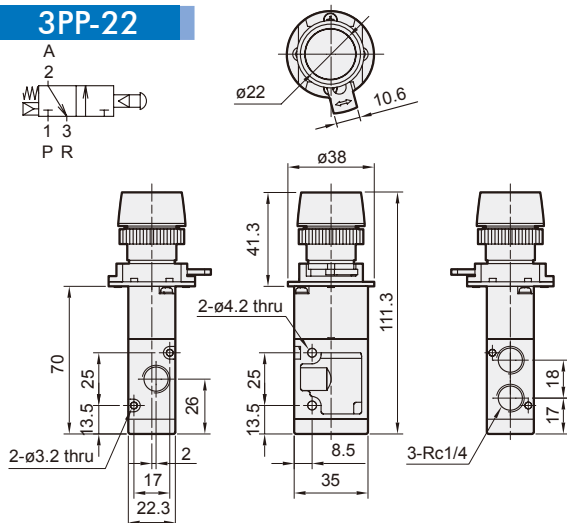
3TB-22



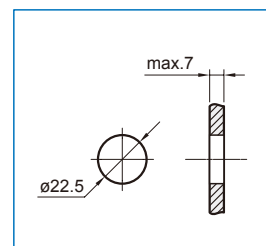
3PB-22



3PP-22



Panel mounting hole

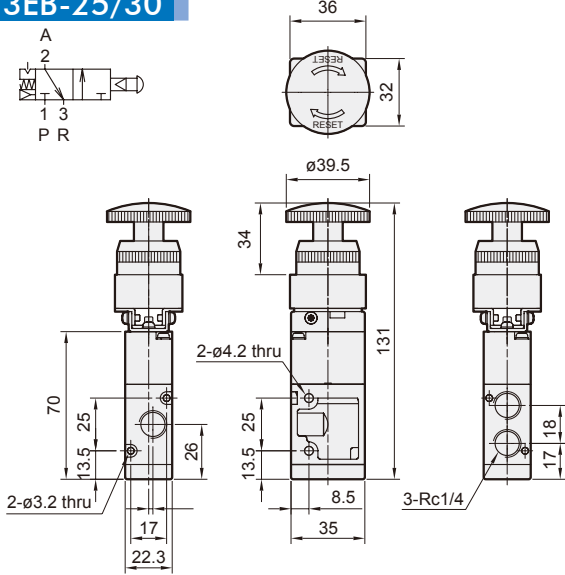


MVMB-220-3** Dimensions

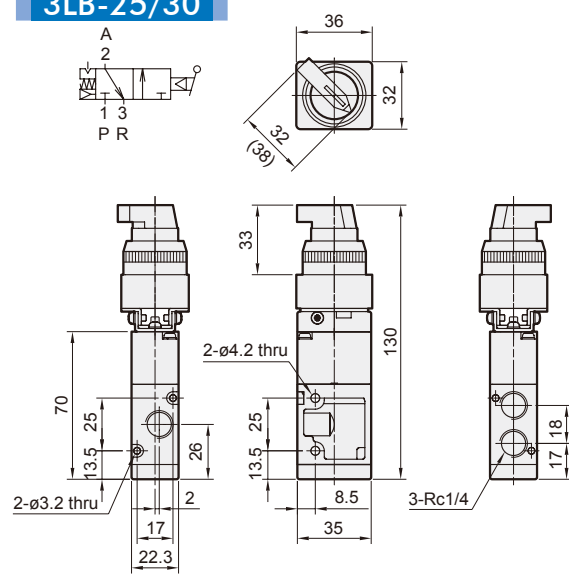
MECHANICAL VALVE



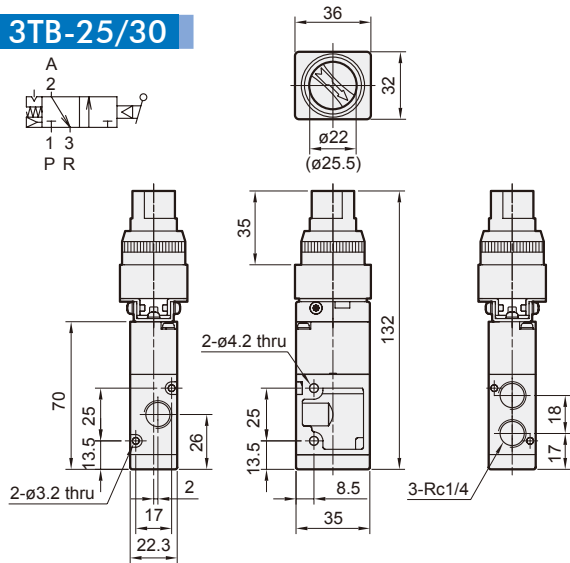
3EB-25/30



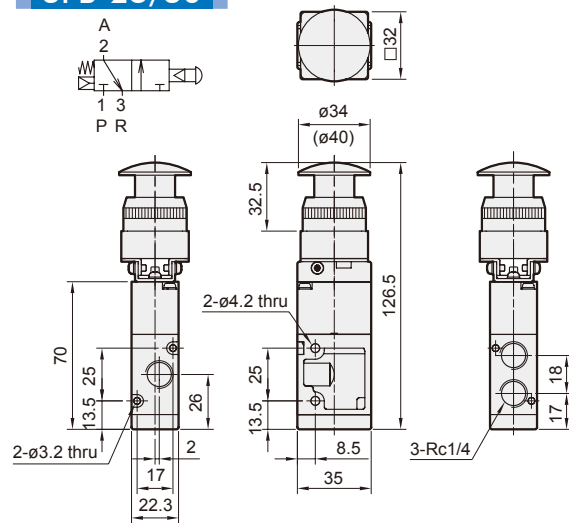
3LB-25/30



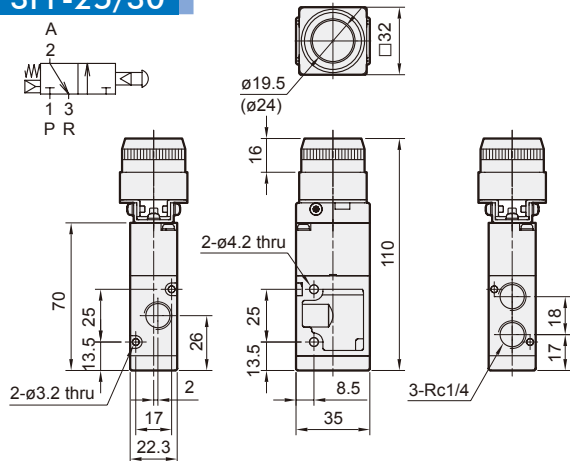
3TB-25/30



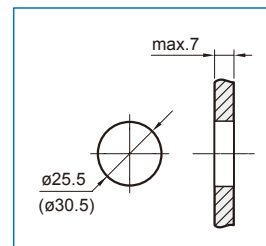
3PB-25/30



3PP-25/30



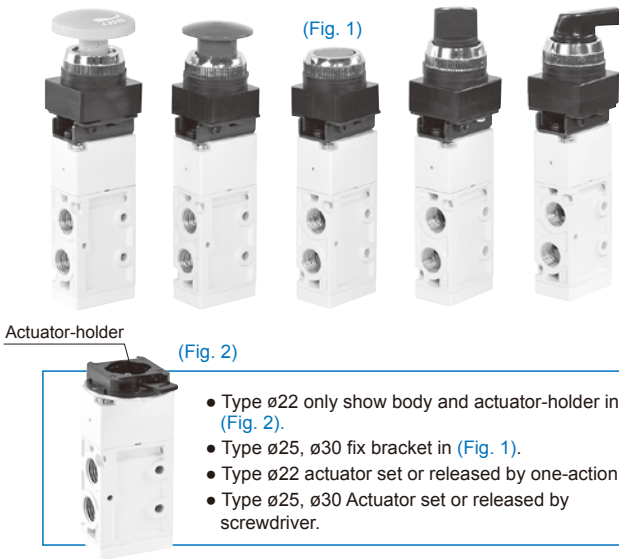
Panel mounting hole



(): Dimension for button size $\phi 30$.

MVMB-220-4** series

MECHANICAL VALVE



Specification

Model	MVMB-220-4**
Bore No.	8A
Port size	Rc1/4
No. of port	5
No. of position	2
Medium	Air
Operating pressure range	0.15~0.8 MPa
Proof pressure	1 MPa
Effective orifice	18 mm ²
Ambient temperature	-5~+60°C (No freezing)
Weight	180 g

- (Fig. 2)
- Type $\varnothing 22$ only show body and actuator-holder in (Fig. 2).
 - Type $\varnothing 25$, $\varnothing 30$ fix bracket in (Fig. 1).
 - Type $\varnothing 22$ actuator set or released by one-action.
 - Type $\varnothing 25$, $\varnothing 30$ Actuator set or released by screwdriver.

Order example

MVMB – 220 – 4EB – 25R – G

MODEL

BODY WIDTH

BUTTON SIZE

BUTTON COLOR

PORT THREAD

4: 4way (5 port)

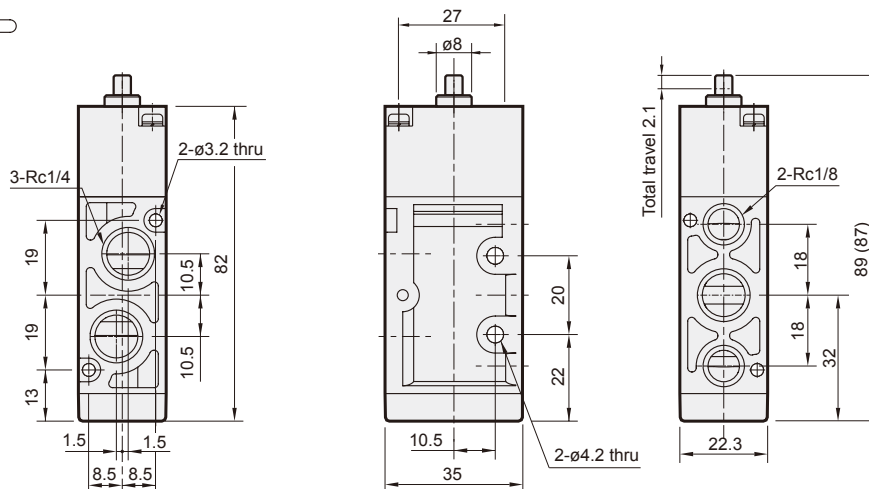
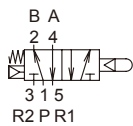
B1: Body (without button)
 EB: Latching palm button
 LB: Extended twist button
 TB: Twist button
 PB: Mushroom palm button
 PP: Push button

22: $\varnothing 22$
 25: $\varnothing 25$
 30: $\varnothing 30$

Color	Type
—	B1 type
G: Green	EB type
R: Red	
B: Black	LB type TB type
B: Black	
G: Green	PB type PP type
R: Red	

Blank: Rc thread
 G: G thread
 NPT: NPT thread

MVMB-220-4B1



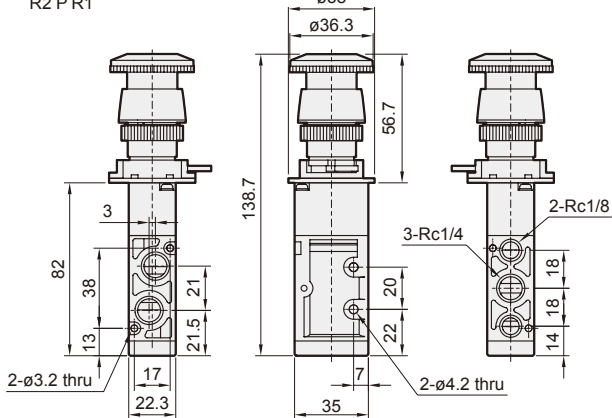
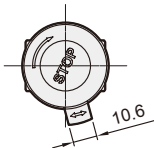
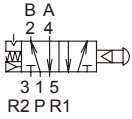
(): for EB type

MVMB-220-4** Dimensions

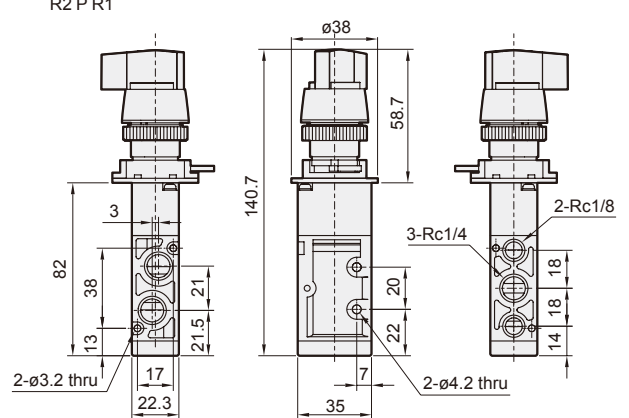
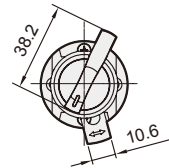
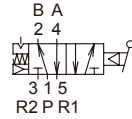
MECHANICAL VALVE



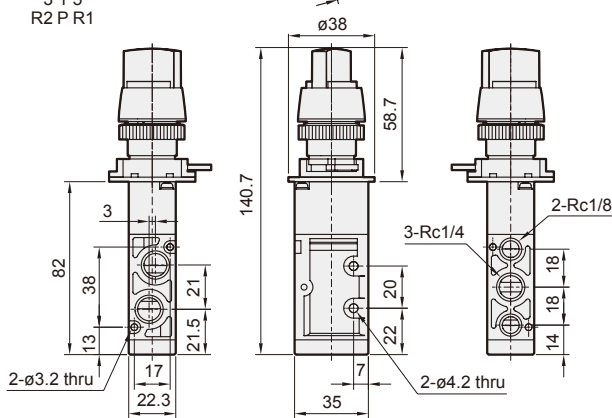
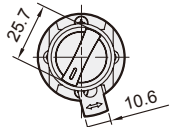
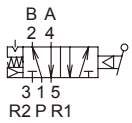
4EB-22



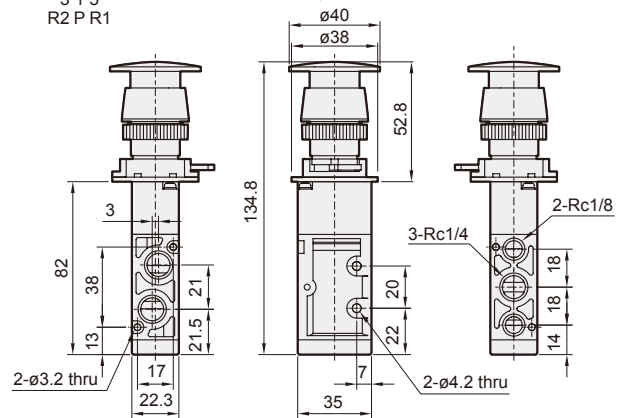
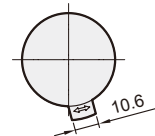
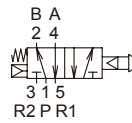
4LB-22



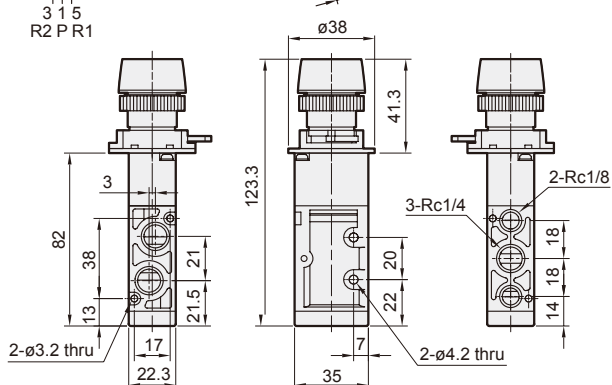
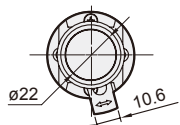
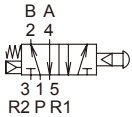
4TB-22



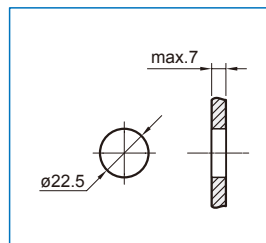
4PB-22



4PP-22



Panel mounting hole

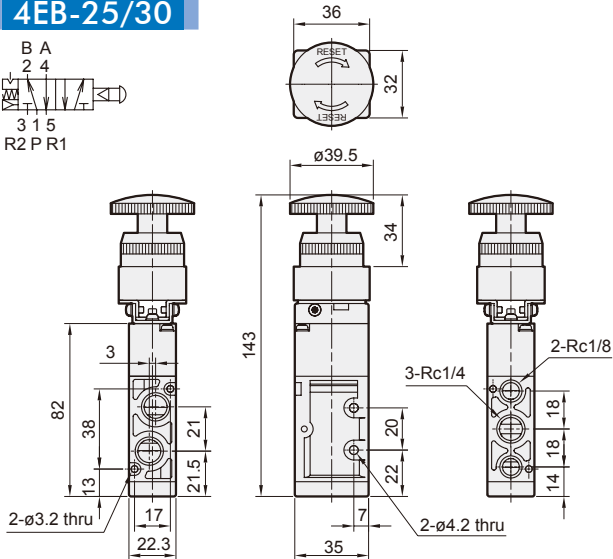
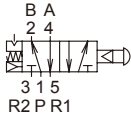


MVMB-220-4** Dimensions

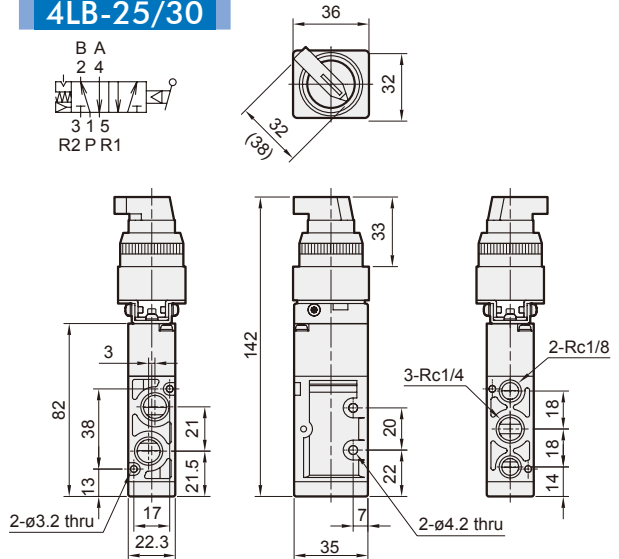
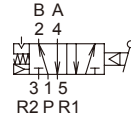
MECHANICAL VALVE



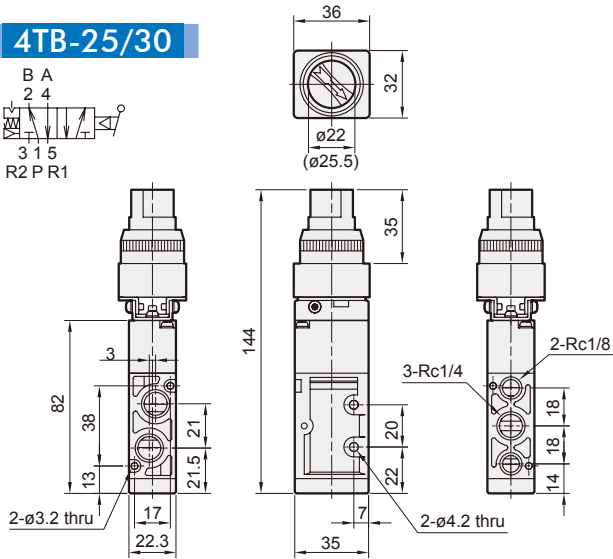
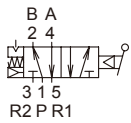
4EB-25/30



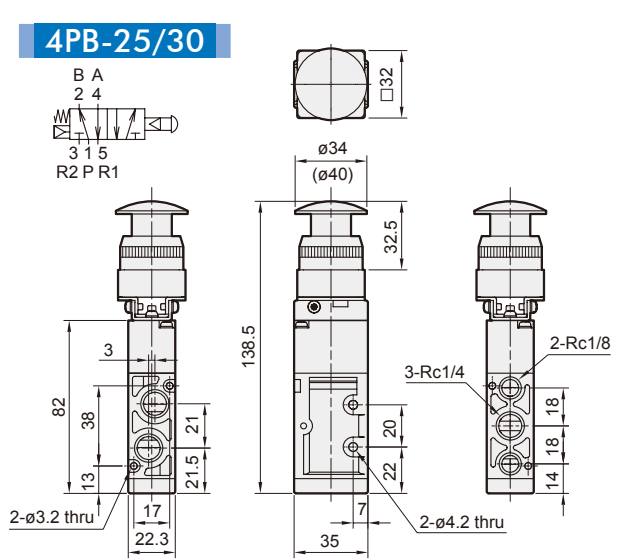
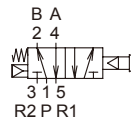
4LB-25/30



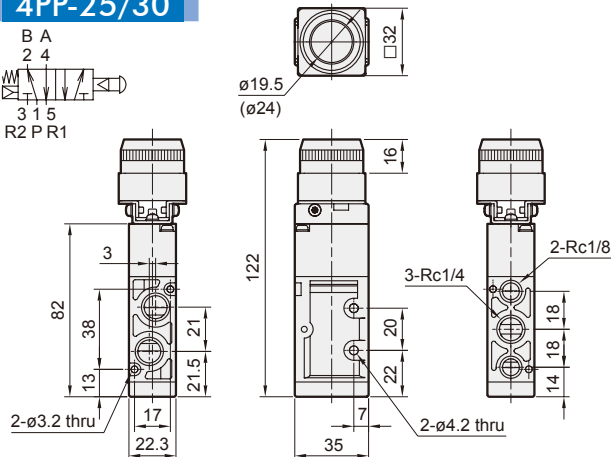
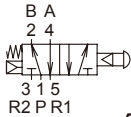
4TB-25/30



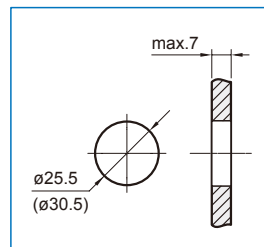
4PB-25/30



4PP-25/30



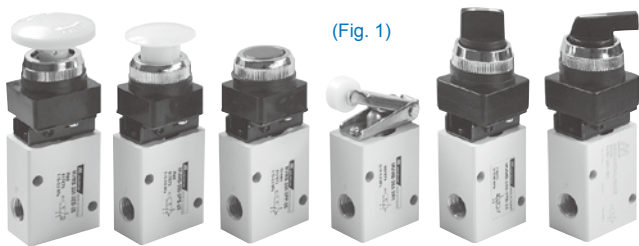
Panel mounting hole



() : Dimension for button size $\phi 30$.

MVMB-250 series

MECHANICAL VALVE



(Fig. 1)

Specification

Model	MVMB-250
Bore No.	8A
Port size	Rc1/4
No. of port	2 or 3
No. of position	2
Medium	Air
Operating pressure range	0~1 MPa
Proof pressure	1 MPa
Effective orifice	18 mm ²
Ambient temperature	-5~+60°C (No freezing)
Weight	193 g

Actuator-holder

(Fig. 2)



- Type $\phi 22$ only show body and actuator-holder in (Fig. 2).
- Type $\phi 25$, $\phi 30$ fix bracket in (Fig. 1).
- Type $\phi 22$ actuator set or released by one-action.
- Type $\phi 25$, $\phi 30$ Actuator set or released by screwdriver.

Order example

MVMB – 250 – 3PB – 25B – G

MODEL

BODY WIDTH

BUTTON SIZE

BUTTON COLOR

PORT THREAD

2: 2way (2 port)
3: 3way (3 port)

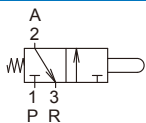
B1: Body (without button)
R1: Roller lever
EB: Latching palm button
LB: Extended twist button
TB: Twist button
PB: Mushroom palm button
PP: Push button

22: $\phi 22$
25: $\phi 25$
30: $\phi 30$

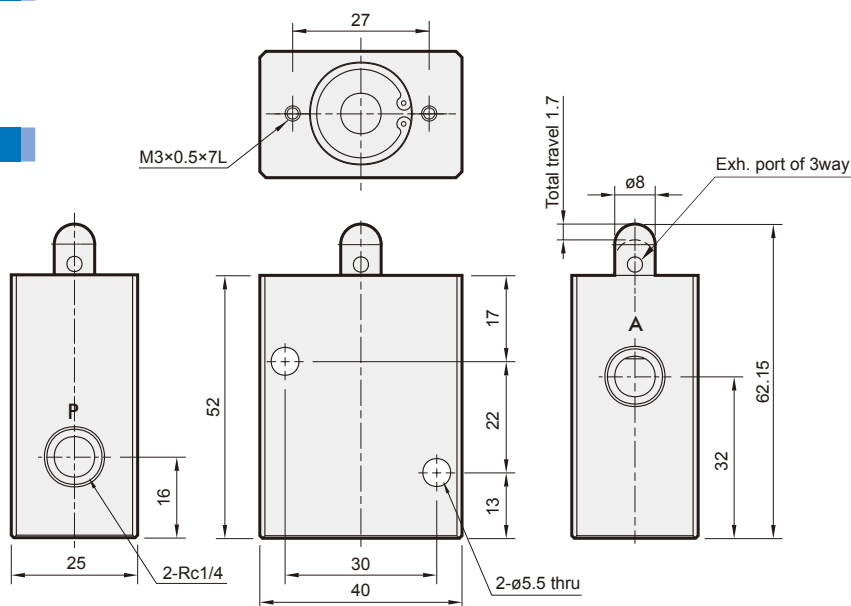
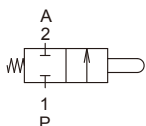
Color	Type
—	B1 type
G: Green	EB type
R: Red	
B: Black	LB type
B: Black	TB type
G: Green	PB type
R: Red	

Blank: Rc thread
G: G thread
NPT: NPT thread

MVMB-250-3B1



MVMB-250-2B1



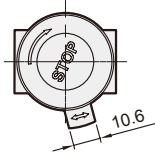
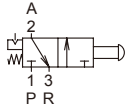
(): for EB type

MVMB-250 Dimensions

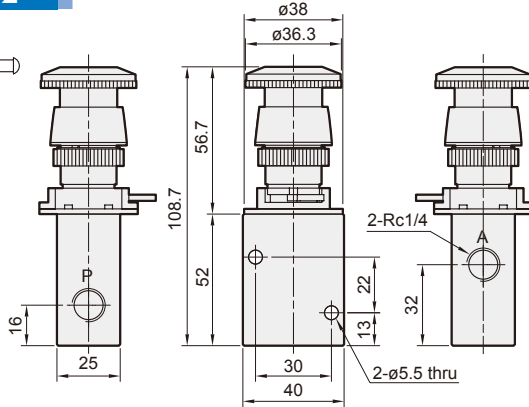
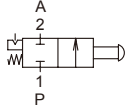
MECHANICAL VALVE



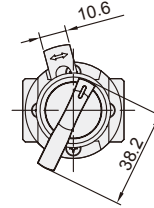
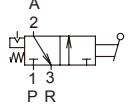
3EB-22



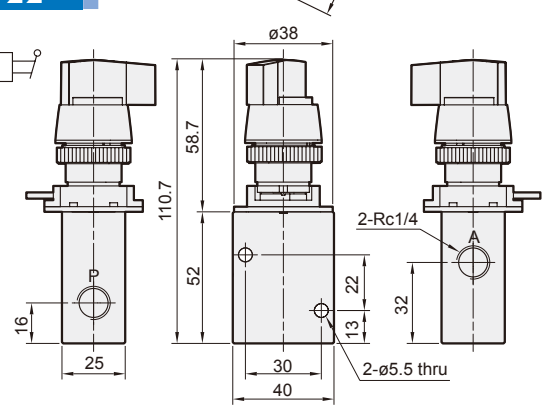
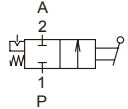
2EB-22



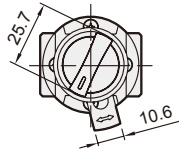
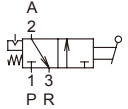
3LB-22



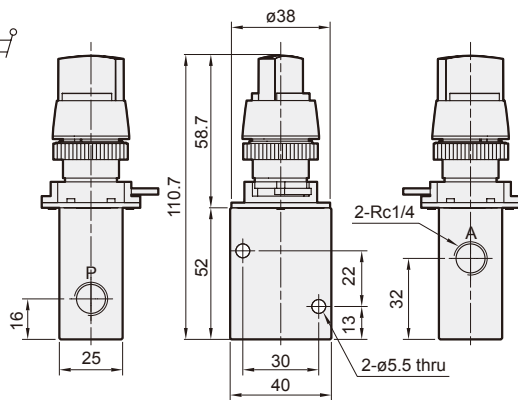
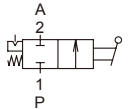
2LB-22



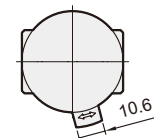
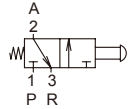
3TB-22



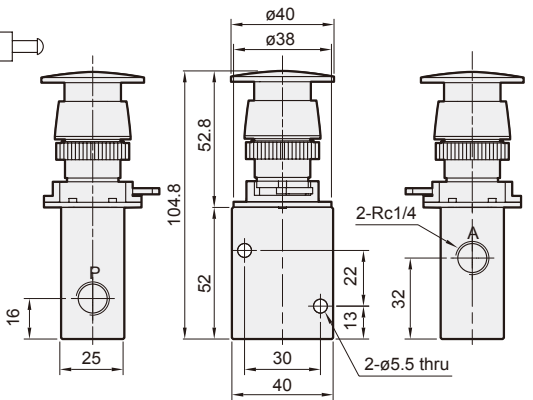
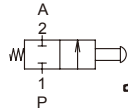
2TB-22



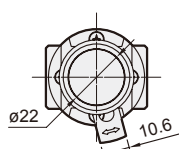
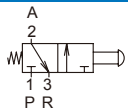
3PB-22



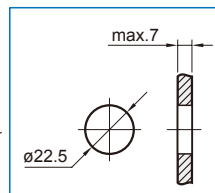
2PB-22



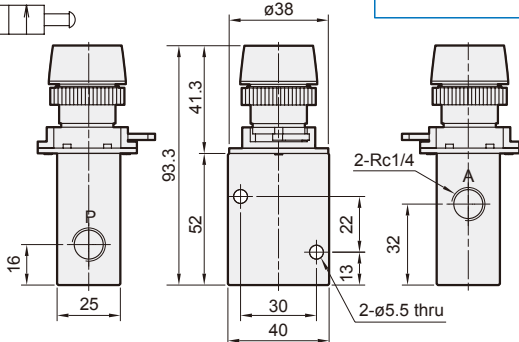
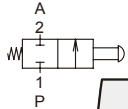
3PP-22



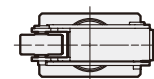
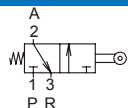
Panel mounting hole



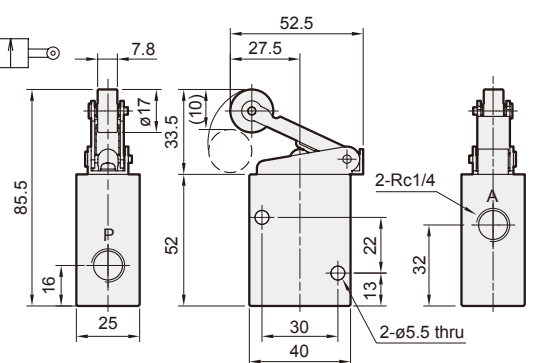
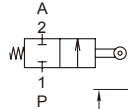
2PP-22



3R1



2R1

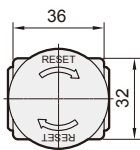
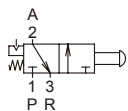


MVMB-250 Dimensions

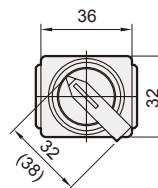
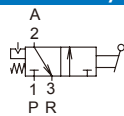
MECHANICAL VALVE



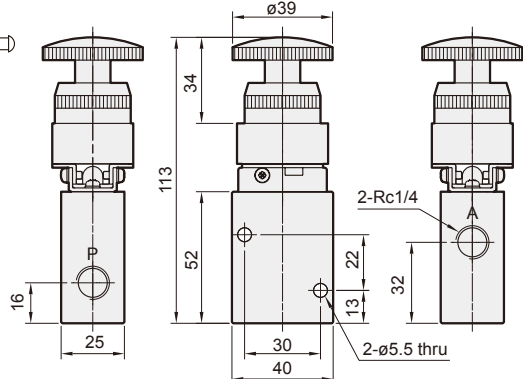
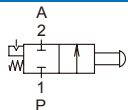
3EB-25/30



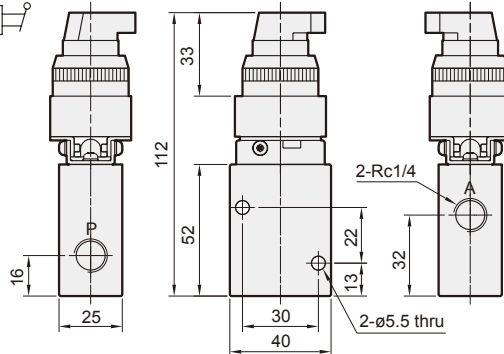
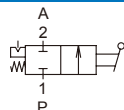
3LB-25/30



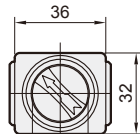
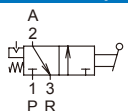
2EB-25/30



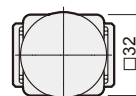
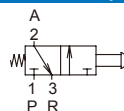
2LB-25/30



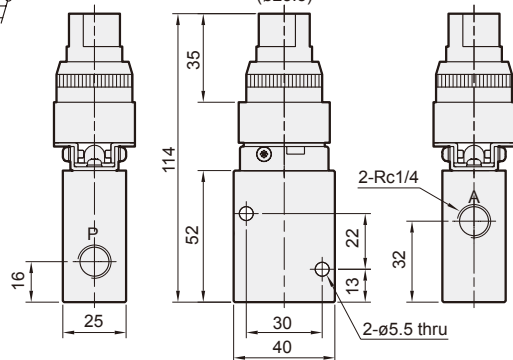
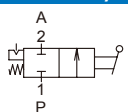
3TB-25/30



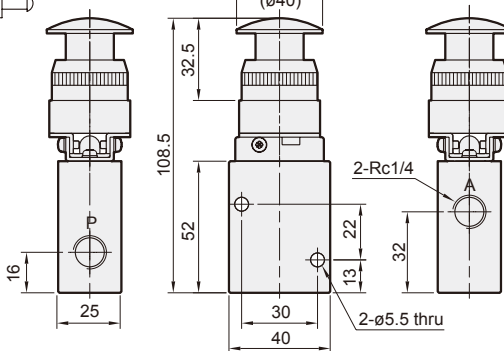
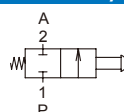
3PB-25/30



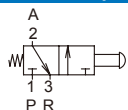
2TB-25/30



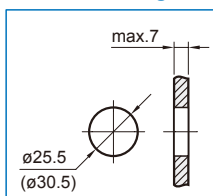
2PB-25/30



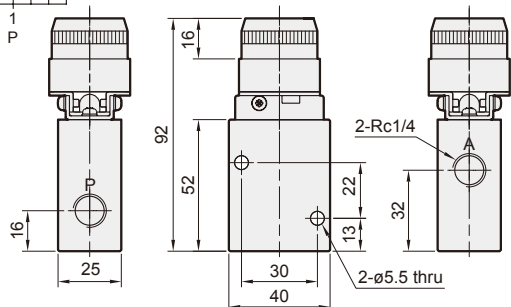
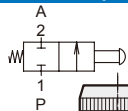
3PP-25/30



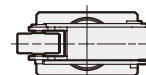
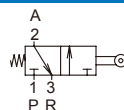
Panel mounting hole



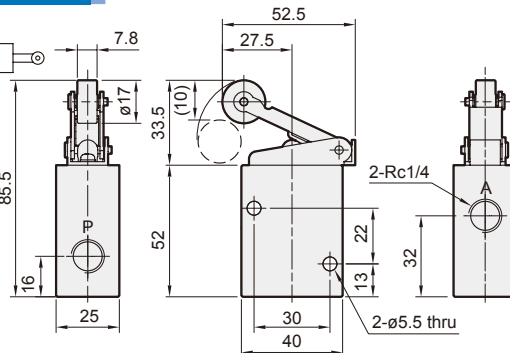
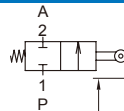
2PP-25/30



3R1



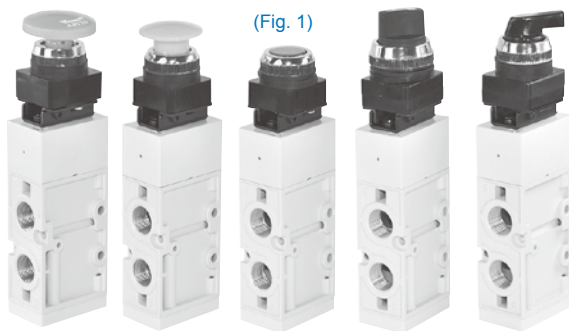
2R1



(): Dimension for button size ø30.

MVMB-300-4** series

MECHANICAL VALVE



(Fig. 1)

Specification

Model	MVMB-300-4**
Bore No.	10A
Port size	Rc3/8
No. of port	5
No. of position	2
Medium	Air
Operating pressure range	0.15~0.8 MPa
Proof pressure	1 MPa
Effective orifice	30 mm ²
Ambient temperature	-5~+60°C (No freezing)
Weight	315 g

Actuator-holder



(Fig. 2)

- Type $\phi 22$ only show body and actuator-holder in (Fig. 2).
- Type $\phi 25$, $\phi 30$ fix bracket in (Fig. 1).
- Type $\phi 22$ actuator set or released by one-action.
- Type $\phi 25$, $\phi 30$ Actuator set or released by screwdriver.

Order example

MVMB - 300 - 4EB - 25R - G

MODEL

BODY WIDTH

BUTTON SIZE

BUTTON COLOR

PORT THREAD

4: 4way (5 port)

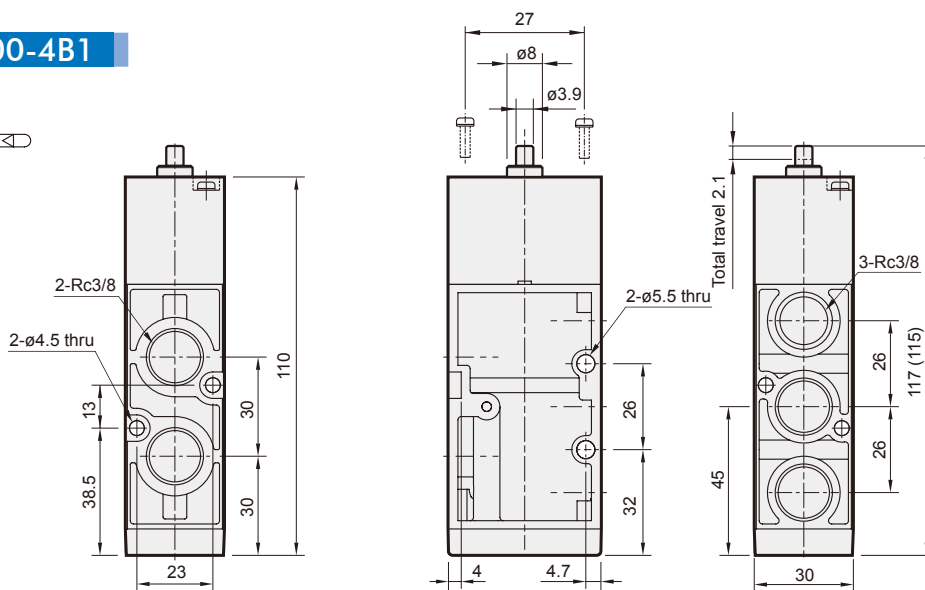
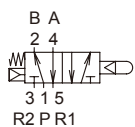
B1: Body (without button)
EB: Latching palm button
LB: Extended twist button
TB: Twist button
PB: Mushroom palm button
PP: Push button

22: $\phi 22$
25: $\phi 25$
30: $\phi 30$

Color	Type
—	B1 type
G: Green	EB type
R: Red	
B: Black	LB type TB type
B: Black	PB type PP type
G: Green	
R: Red	

Blank: Rc thread
G: G thread
NPT: NPT thread

MVMB-300-4B1



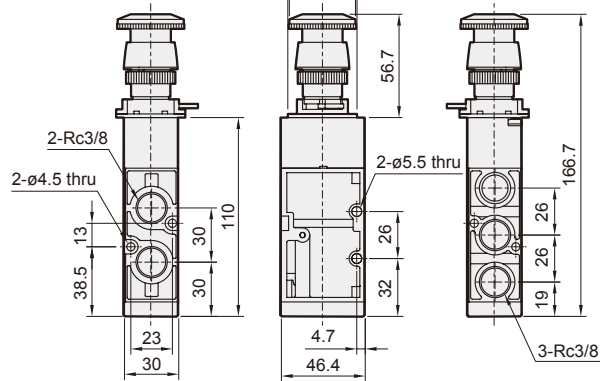
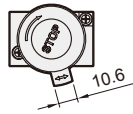
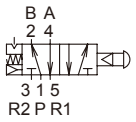
(): for EB type

MVMB-300-4** Dimensions

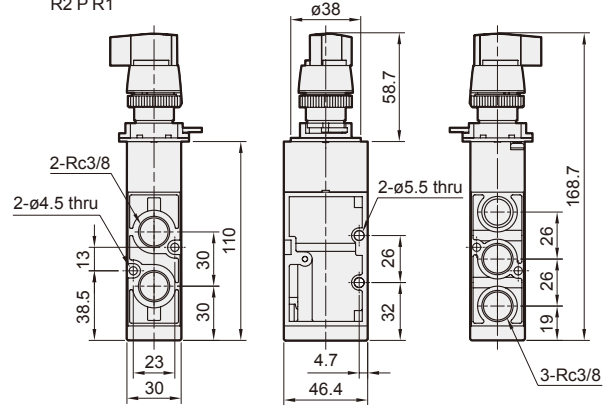
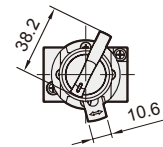
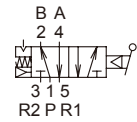
MECHANICAL VALVE



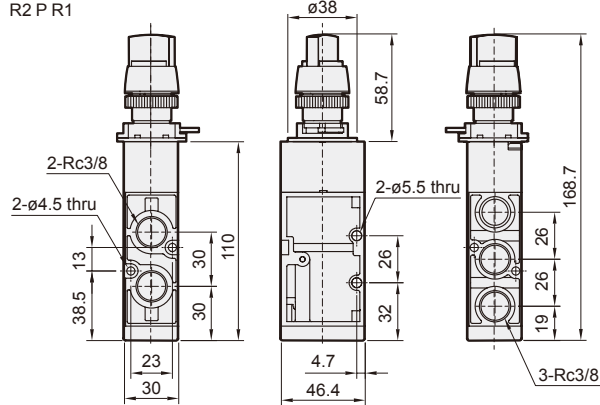
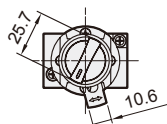
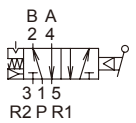
4EB-22



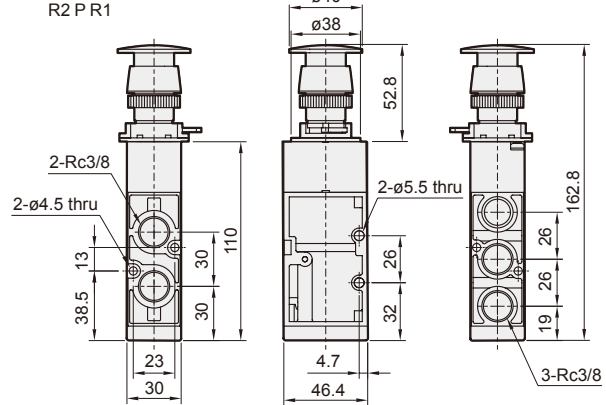
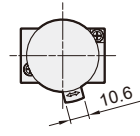
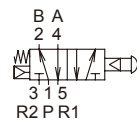
4LB-22



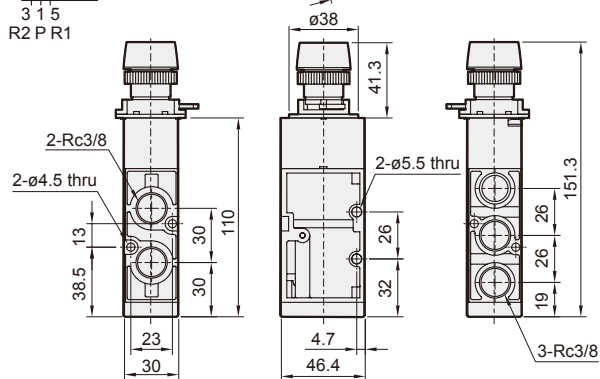
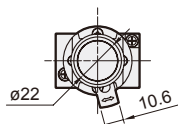
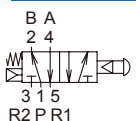
4TB-22



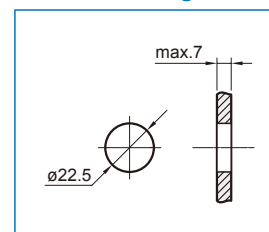
4PB-22



4PP-22



Panel mounting hole

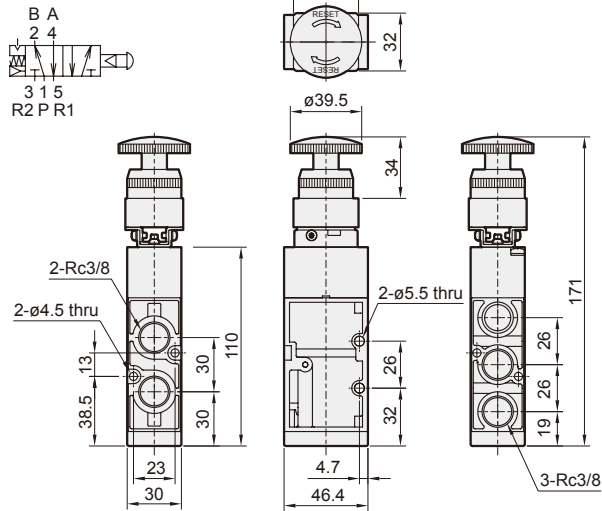


MVMB-300-4** Dimensions

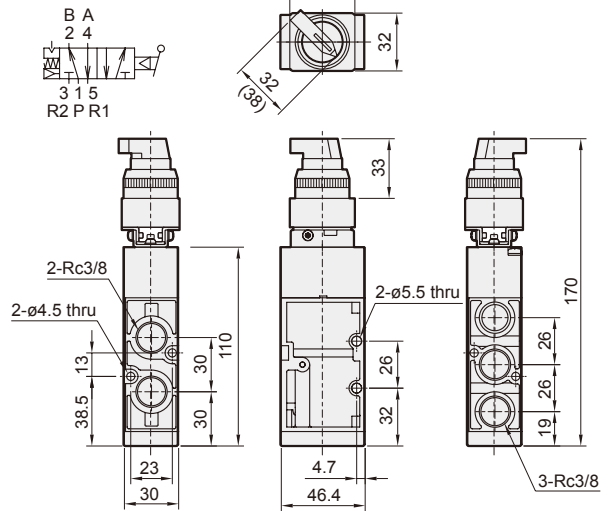
MECHANICAL VALVE



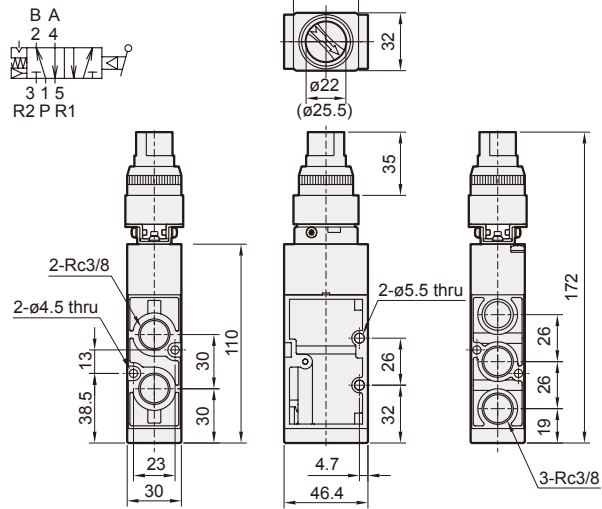
4EB-25/30



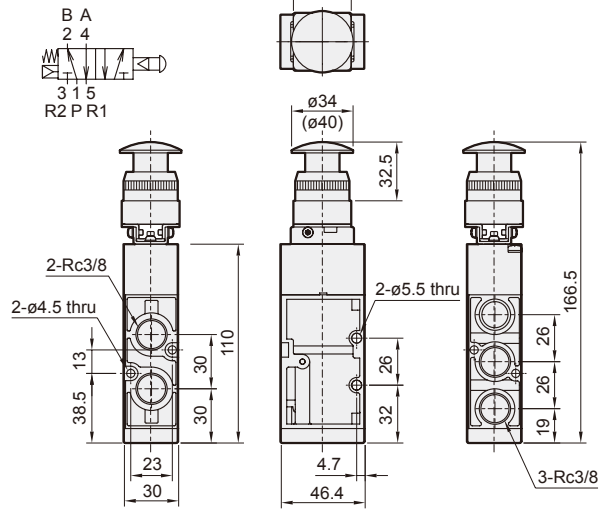
4LB-25/30



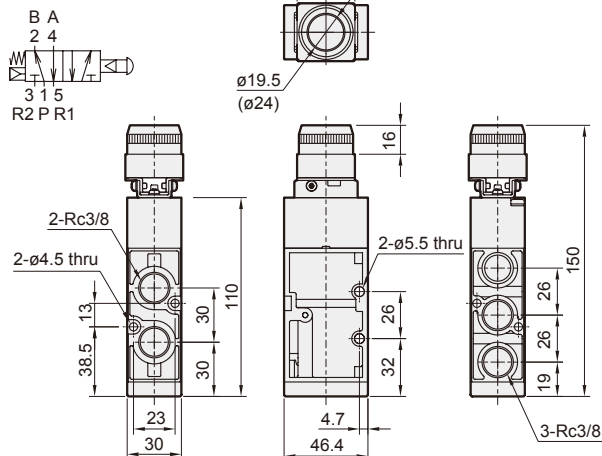
4TB-25/30



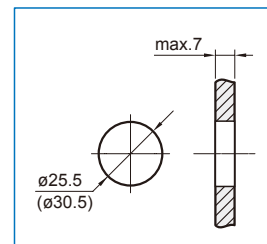
4PB-25/30



4PP-25/30



Panel mounting hole



(): Dimension for button size $\phi 30$.