

MRTH

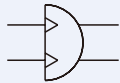
Male pivot gear (standard type)

MRTH-D

Male pivot gear (double end rod type)

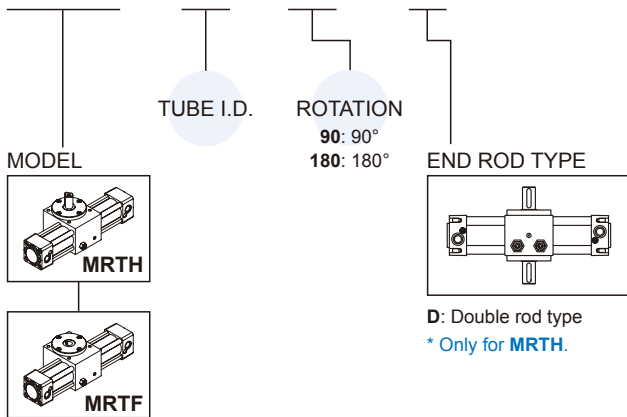
MRTF

Female pivot gear



Order example

MRTH — 80 — 90 — D



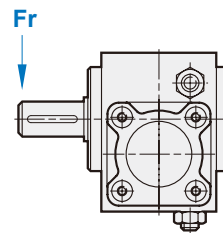
Features

- The body is manufactured in anodized aluminium alloy, and has been designed looking at the harmonious aesthetic development.
- Pinion and rack produced from carbon steel reduces backlash within the mechanism.
- Rotation adjustment screw.
- Magnetic as standard.

Specification

Model	MRTF, MRTH, MRTH-D	
Tube I.D. (mm)	80	
Standard rotation	90±5°, 180±5°	
Rotating shaft dia. (mm)	28	
Initial position of slot (mm)	See dimensional feature	
Medium	Filtered air with or without lubrication	
Operating pressure range	0.13~0.7 MPa	
Ambient temperature	-5~+60°C (No freezing)	
Max. allowable axial thrust (kg)	20	
Cushion angle	80°	
Max. allowable kinetic energy	90°	1.34J
	180°	3.03J
Max. allowable radial trust (Fr)	896.7 N	
Sensor switch	LN03A	

Max. allowable radial trust



Cylinder weight

Unit: kg

Tube I.D.	MRTH		MRTH-D		MRTF		LN03A
	90°	180°	90°	180°	90°	180°	Sensor switch
80	10.25	10.80	10.49	11.00	9.69	10.24	0.086

ROTARY ACTUATOR

How to order the seal kit

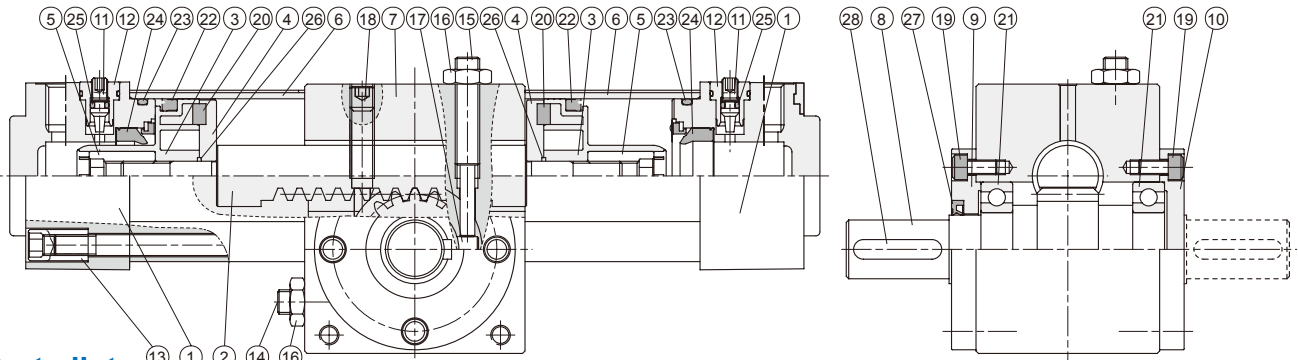
MRT <input type="checkbox"/> SK <input type="checkbox"/>	Tube I.D.	Seal kit	Tube I.D.	Seal kit
	80	MRTHSK80 - Including No.22,23,24,25,26,27	80	MRTFSK80 - Including No.22,23,24,26,27

H

F

MRTH

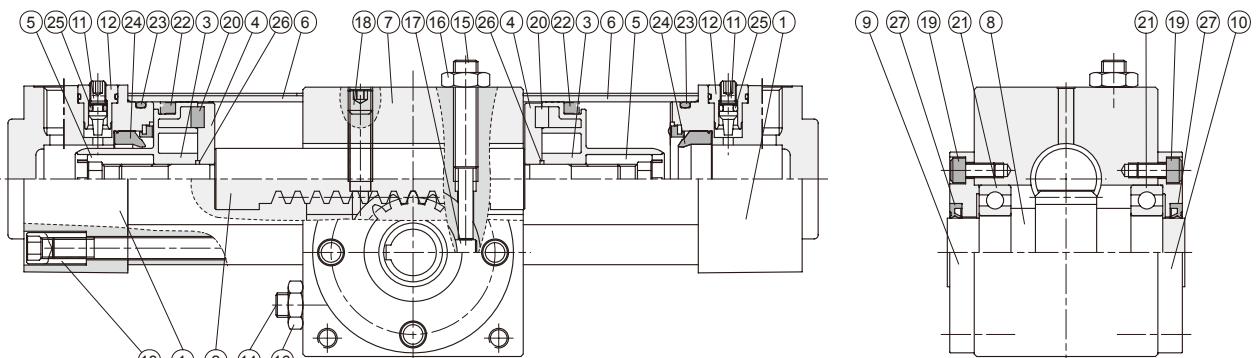
MRTH-D



Parts list

No.	Part name	Q'y	No.	Part name	Q'y	No.	Part name	Q'y
1	End cap	2	11	Cushion needle	2	21	Ball bearing	2
2	Rack	1	12	Washer	2	22	Piston packing	2
3	Piston	2	13	Tie bolt	8	23	Cylinder gasket	2
4	Magnet holder	2	14	Adjusting screw	1	24	Cushion packing	2
5	Piston nut	2	15	Adjusting screw	1	25	O-ring	2
6	Cylinder tube	2	16	Lock nut	2	26	Piston gasket	2
7	Housing	1	17	Stopper pin	1	27	Rod packing	1
8	Pinion shaft	1	18	Set screw	1	28	Key (MRTH-D=2)	1
9	End cover	1	19	Hexagon socket head screw	8			
10	End cover	1	20	Magnet	2			

MRTF

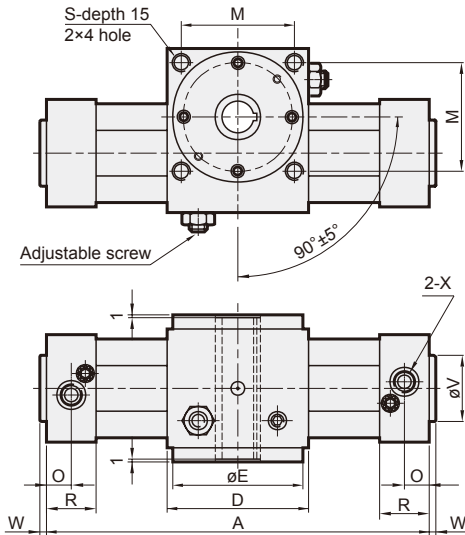


Parts list

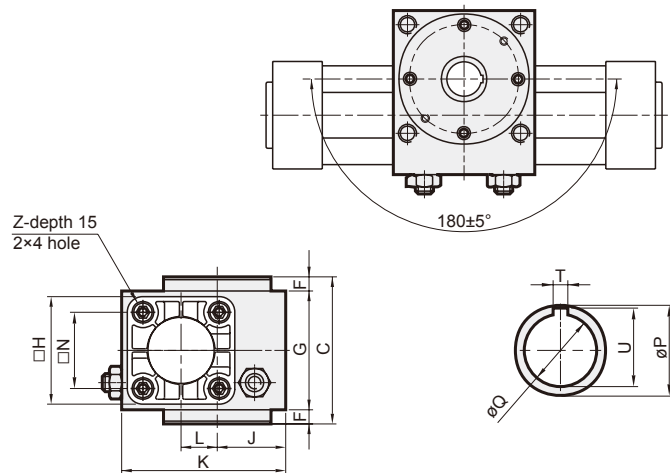
No.	Part name	Q'y	No.	Part name	Q'y	No.	Part name	Q'y
1	End cap	2	10	End cover	1	19	Hexagon socket head screw	8
2	Rack	1	11	Cushion needle	2	20	Magnet	2
3	Piston	2	12	Cushion plug	2	21	Ball bearing	2
4	Magnet holder	2	13	Tie bolt	8	22	Piston packing	2
5	Piston nut	2	14	Adjusting screw	1	23	Cylinder gasket	2
6	Cylinder tube	2	15	Adjusting screw	1	24	Cushion packing	2
7	Housing	1	16	Lock nut	2	25	O-ring	2
8	Pinion shaft	1	17	Stopper pin	1	26	Piston gasket	2
9	End cover	1	18	Set screw	1	27	Rod packing	2

MRTF

Angle of rotation 90°



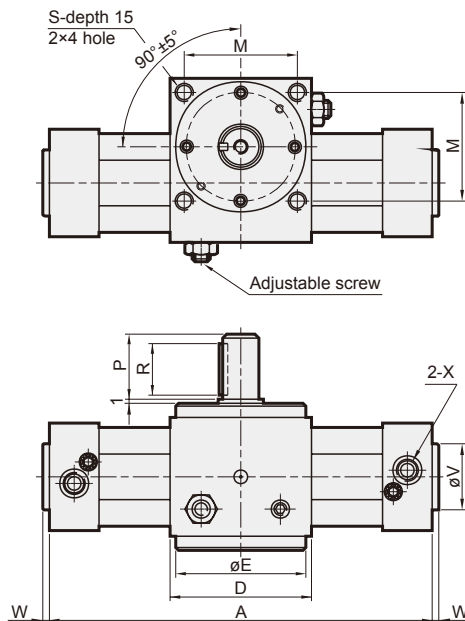
Angle of rotation 180°



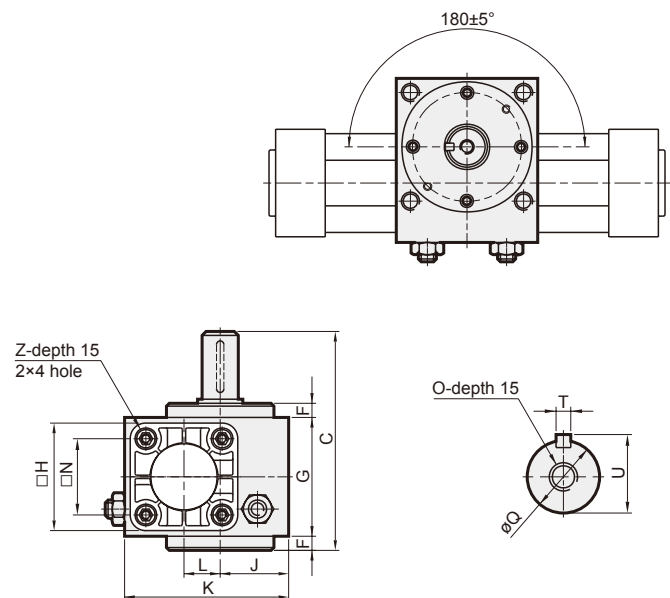
Model	A		C	D	E	F	G	H	J	K	L	M	N	O	P	Q	R	S	T	U	V	W	X	Z
	90°	180°																						
MRTF-80	343	428	119	105	96	12	95	95	51.5	135	36	82	72	19	35	24H7 ^{+0.021} ₀	38	M10	6	27.5	45	6	G3/8	M10

MRTH

Angle of rotation 90°



Angle of rotation 180°

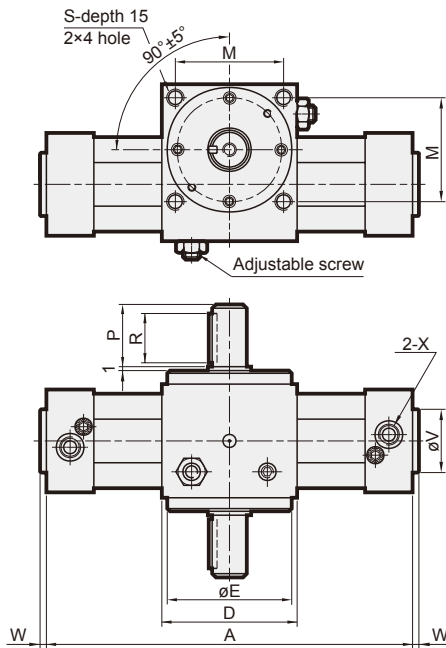


Model	A		C	D	E	F	G	H	J	K	L	M	N	O	P	Q	R	S	T	U	V	W	X	Z
	90°	180°																						
MRTH-80	343	428	170	105	96	12	95	95	51.5	135	36	82	72	M8	50	28h6 _{-0.013}	45	M10	8	31	45	6	G3/8	M10

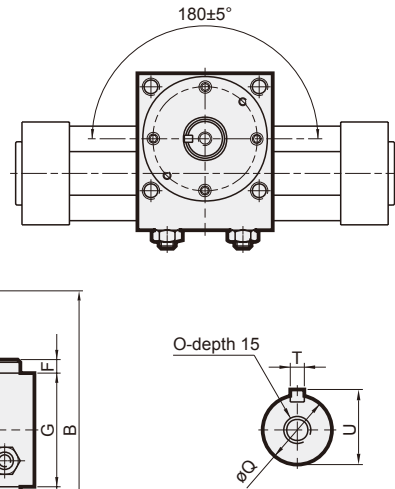
ROTARY ACTUATOR

mindman

MRTH-D Angle of rotation 90°

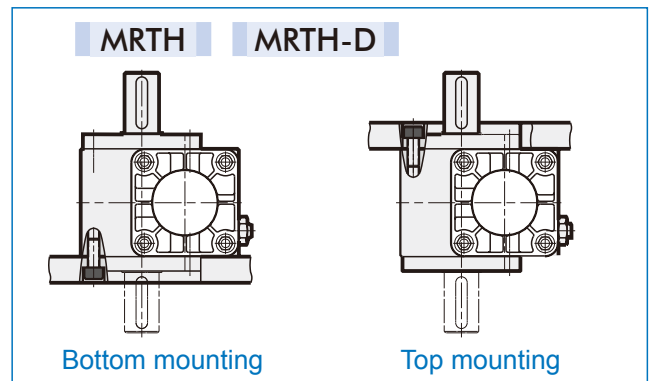
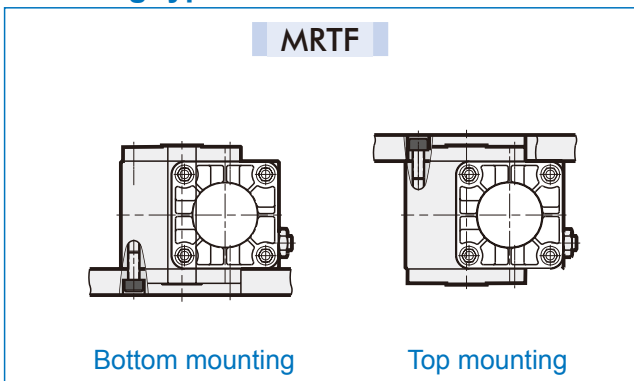


Angle of rotation 180°

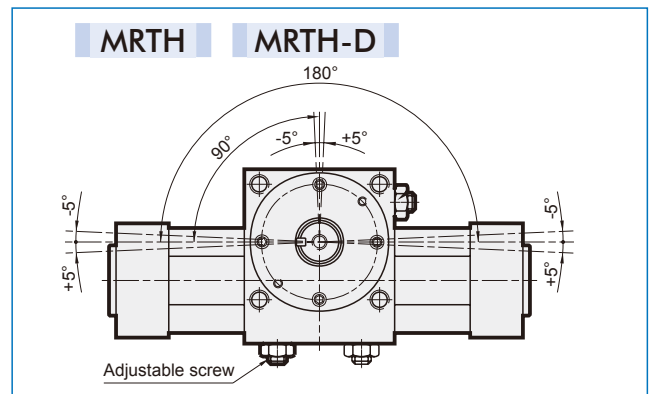
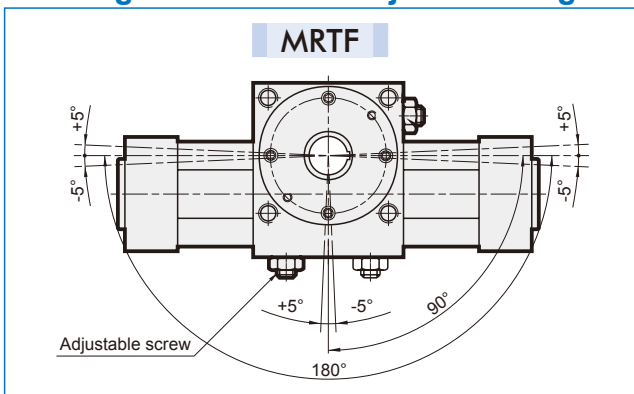


Model	A		B	D	E	F	G	H	J	K	L	M	N	O	P	Q	R	S	T	U	V	W	X	Z
	90°	180°																						
MRTH-80-D	343	428	221	105	96	12	95	95	51.5	135	36	82	72	M8	50	28h6 _{-0.013}	45	M10	8	31	45	5	G3/8	M10

Mounting type

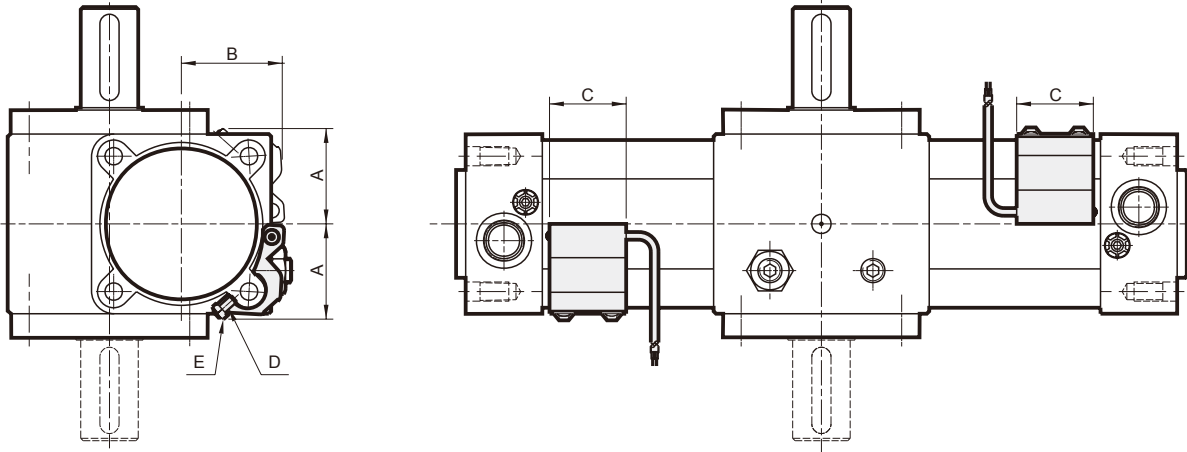


Rotating direction and adjustable angle

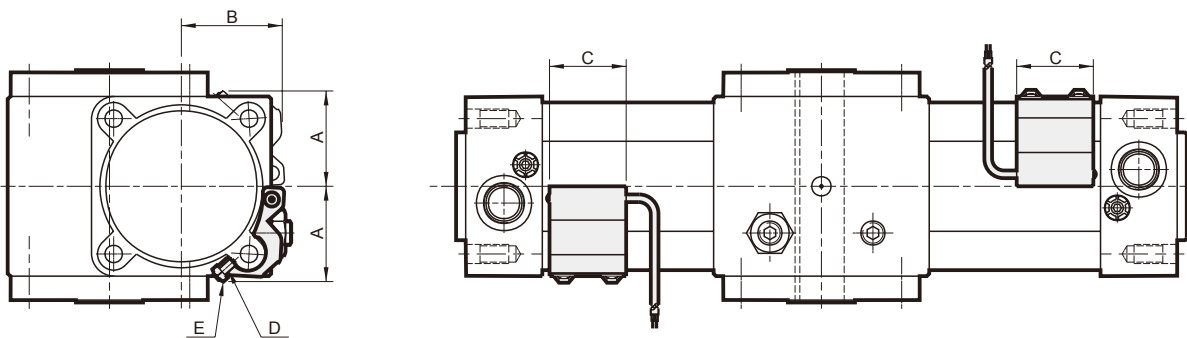


ROTARY ACTUATOR

MRTH-D



MRTF



Tube I.D.	Sensor switch	A	B	C	D	E
80	LN03A	49.5	52	32	M4×12L	M4