

MCJA Back to back type series

COMPACT CYLINDER



Mindman



Specification

Model	MCJA-4*									
Acting type	Double acting / Single acting				Double acting					
Tube I.D. (mm)	12	16	20	25	32	40	50	63	80	100
Port size	M5×0.8				Rc1/8	Rc1/4		Rc3/8		
Medium	Air									
Operating pressure range (MPa)	Double acting		0.05~1	0.03~1	0.02~1					
	Single acting		0.2~1	0.15~1	0.1~1	—				
Proof pressure	1.5 MPa									
Ambient temperature	-5~+60°C (No freezing)									
Available speed range	50~500 mm/sec									
Sensor switch (*)	RCE, RCE1, RDEP									

* RCE, RCE1, RDEP specification, please refer to page 8-12, 13, 18. RDEP only for tube I.D. ø12~ø50.

Order example

MCJA — 42 — 40 — 25×25 M — □

MODEL

4: Back to back type

TUBE I.D.

STROKE1×STROKE2

Stroke 1: First stroke
Stroke 2: Second stroke

M: Magnet

PORT THREAD

Blank: M5×0.8

(for ø12~ø25)

Blank: Rc thread

G: G thread

NPT: NPT thread

(for ø32~ø100)

STYLE

Code	Symbol	Description
4 1		Double acting / Male thread
4 2		Double acting / Female thread
4 3		Single acting / Normally extended male thread
4 4		Single acting / Normally extended female thread
4 5		Single acting / Normally returned male thread
4 6		Single acting / Normally returned female thread

* Order example for special specification, refer to page 0-7.

Flat washer kits

WS — MCJA — 3 — 40

FLAT WASHER

MODEL

MULTIPLE POSITION

TUBE I.D.

* Use the same kits with MCJA multiple position.

* Only for tube I.D. ø20~ø100.

Double acting – Table for standard stroke

Tube I.D.	Stroke (mm)	Max. stroke (mm)	
		First	Second
ø12,16	5,10,15,20,25,30	130	300
ø20,25,32 ø40,50,63,80	5,10,15,20,25,30,35,40,45,50	130	300
ø100	5,10,15,20,25,30,35,40,45,50	125	125

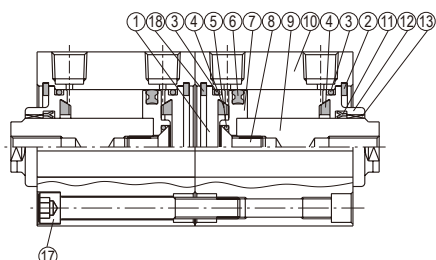
* Please contact us if the stroke is out of specification.

Single acting – Table for standard stroke

Tube I.D.	Stroke (mm)
ø12,16,20,25,32,40	5,10,15,20,25,30
ø50	5,10,15,20

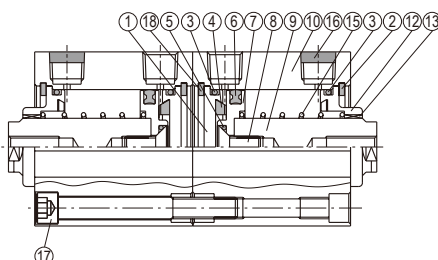
* Please contact us if the stroke is out of specification.

Double acting



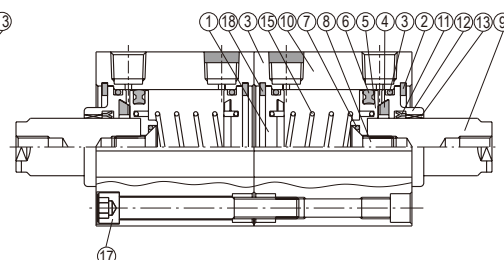
Single acting

Normally returned



Single acting

Normally extended

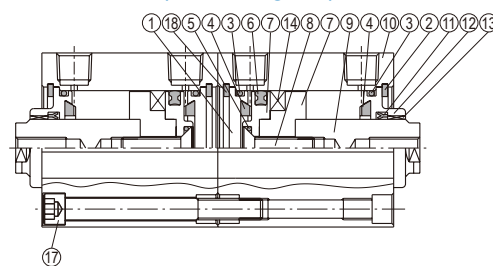


Seal kit

Acting type	Rod packing			Piston packcion		Cover ring	Piston gasket
	Double acting	Normally returned	Normally extended	Double acting	Single acting	Double acting single acting	Double acting single acting
Qty.	2	0	2	2	2	4	2
ø12	KSYR-6	—	KSYR-6	OPA-12	OPA-12	S-12	d4×w1
ø16	KSYR-6	—	KSYR-6	OPA-16	OPA-16	S-14	d4×w1
ø20	KSYR-8	—	KSYR-8	OPA-20	OPA-20	S-18	d6×w1
ø25	KSYR-10	—	KSYR-10	OPA-25	OPA-25	S-22	d8×w1
ø32	KSYR-12	—	KSYR-12	OPA-32	OPA-32	d28×w2	S-9
ø40	KSYR-16	—	KSYR-16	OPA-40	OPA-40	S-36	S-9
ø50	KSYR-20	—	KSYR-20	OPA-50	OPA-50	AS-31	S-16
ø63	KSYR-20	—	—	OPA-63	—	AS-35	S-16
ø80	ORA-25	—	—	OPA-80	—	AS-41	d20×w1
ø100	SDR-30	—	—	OPA-100	—	S-95	S-26

Double acting

(with magnet)



Material

No.	Tube I.D. Part name	12	16	20	25	32	40	50	63	80	100	Q'y	Component parts (inclusion)	Repair kits (inclusion)		
1	Head cover	Aluminum alloy										2	●			
2	Snap ring (Front end)	*2	Spring steel	*2	Spring steel									2	●	
3	Cover ring	NBR										4	●	●		
4	Cushion packing	—	NBR									4	●	●		
5	Piston gasket	NBR										2	●	●		
6	Piston packing	NBR										2	●	●		
7	Piston	Aluminum alloy										2	●			
8	Screw	With magnet	Stainless steel			SCM					2	●				
		Without magnet	SCM	Stainless steel			SCM					2	●			
9	Piston rod *1	With magnet	*2	Carbon steel							2					
		Without magnet	*2	Carbon steel							2					
10	Body	Aluminum alloy										2				
11	Rod packing	NBR										2*3	●	●		
12	Rod cover	Aluminum alloy										2	●			
13	Bush	—	Bearing alloy									2	●			
14	Magnet ring	Magnet material										2	●			
15	Spring	SWP			—							2	●			
16	Silencer	Brass			—							2	●			
17	Bolt	SCM										2				
18	Snap ring (Rear end)	Stainless steel			Spring steel							2	●			

*1. When customized material is bearing steel, only two-side across flat (wrench flat) is available.

*2. Stainless steel

*3. Single acting / Normally returned, Q'y=0

Order example Component parts

Tube I.D.	Component parts
ø12	CP-MCJA-4-12(M)
ø16	CP-MCJA-4-16(M)
ø20	CP-MCJA-4-20(M)
ø25	CP-MCJA-4-25(M)
ø32	CP-MCJA-4-32(M)
ø40	CP-MCJA-4-40(M)
ø50	CP-MCJA-4-50(M)
ø63	CP-MCJA-4-63(M)
ø80	CP-MCJA-4-80(M)
ø100	CP-MCJA-4-100(M)

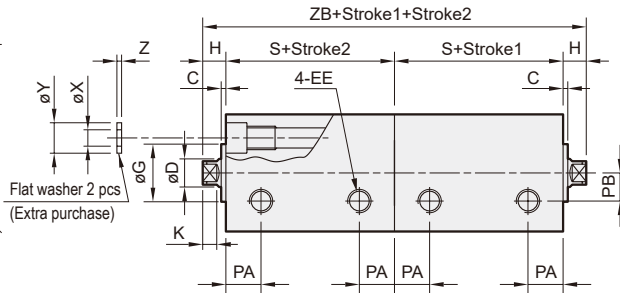
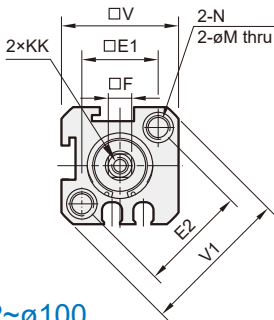
M: With magnet

Repair kits

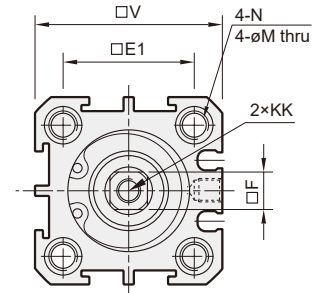
Tube I.D.	Repair kits
ø12	PS-MCJA-4-12
ø16	PS-MCJA-4-16
ø20	PS-MCJA-4-20
ø25	PS-MCJA-4-25
ø32	PS-MCJA-4-32
ø40	PS-MCJA-4-40
ø50	PS-MCJA-4-50
ø63	PS-MCJA-4-63
ø80	PS-MCJA-4-80
ø100	PS-MCJA-4-100

42

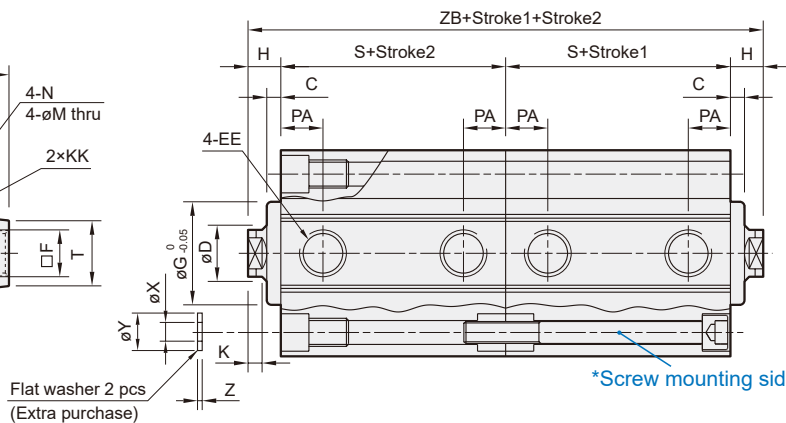
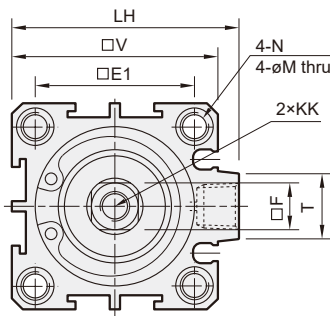
$\phi 12, \phi 16$



$\phi 20, \phi 25$



$\phi 32\sim\phi 100$

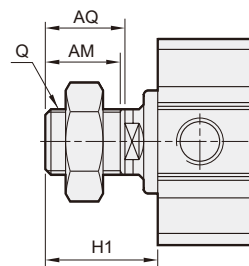


*Stroke 1: First stroke Stroke 2: Second stroke

Code Tube I.D.	AM	AQ	C	D	EE	E1	E2	F	G	H	H1	K
12	10	12	1	6	M5×0.8	16.3	23	5	11	5	17	3
16	10	12	1.5	6	M5×0.8	19.8	28	5	11	5.5	17.5	3
20	13	15	1.5	8	M5×0.8	24	—	6	15	5.5	20.5	3
25	15	17	2	10	M5×0.8	28	—	8	17	6	23	3
32	15	18	3	12	Rc1/8 (*1)	34	—	10	22	7	25	3
40	25	28	3	16	Rc1/8 (*1)	40	—	14	28	7	35	3
50	25	28	4	20	Rc1/4 (*2)	48	—	17	38	9	37	3
63	25	28	4	20	Rc1/4 (*2)	60	—	17	40	9	37	3
80	30	33	5	25	Rc3/8 (*3)	74	—	22	45	11	44	4
100	35	38	5	30	Rc3/8 (*3)	90	—	27	55	12	50	4

*1. Without magnet with stroke=5mm, EE=M5×0.8
 *2. Without magnet with stroke=5mm, EE=Rc1/8
 *3. Without magnet with stroke=5mm, EE=Rc1/4

41 Male thread

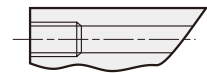


Long stroke

Without counter bore

With magnet type:
The stroke length must be over 100mm.
Without magnet type:
The stroke length must be over 110mm.

$\phi 12\sim\phi 100$



Code Tube I.D.	KK	LH	M	N	PA	PB	Q	T	V	V1	X	Y	Z	Without magnet		Magnet	
														S	ZB	S	ZB
12	M3×0.5×6depth	—	4.3	ø6.5×4.5depth, M5×0.8×7.5depth	6.5	6	M5×0.8	—	25	32	3.2	6.3	1	17	44	27	64
16	M3×0.5×6depth	—	4.3	ø6.5×4.5depth, M5×0.8×7.5depth	7	6.5	M5×0.8	—	29	38	3.2	6.3	1	18.5	48	28.5	68
20	M4×0.7×8depth	—	4.3	ø6.5×4.5depth, M5×0.8×7.5depth	7.5	—	M6×1.0	—	34	—	3.2	6.3	1	19.5	50	29.5	70
25	M5×0.8×10depth	—	5.1	ø9×7depth, M6×1.0×10depth	8	—	M8×1.25	—	40	—	4.2	7.8	1	21	54	31	74
32	M6×1.0×12depth	48.5	5.1	ø9×7depth, M6×1.0×10depth	9	—	M10×1.25	14	44	—	4.2	7.8	1	24.5	63	34.5	83
40	M8×1.25×12depth	56.5	6.9	ø10.5×8depth, M8×1.25×12depth	10	—	M14×1.5	14	52	—	6.2	10.3	1.6	26	66	36	86
50	M10×1.5×15depth	70	6.9	ø11×8.5depth, M8×1.25×16.5depth	10	—	M18×1.5	19	62	—	6.2	10.8	1.6	28	74	38	94
63	M10×1.5×15depth	83	6.9	ø11×8.5depth, M8×1.25×16.5depth	12	—	M18×1.5	20	75	—	6.2	10.8	1.6	32	82	42	102
80	M14×1.5×20depth	102	10.5	ø14×10.5depth, M12×1.75×12depth	13	—	M22×1.5	27	94	—	8.2	13.8	1.6	41	104	51	124
100	M18×1.5×20depth	122	12.3	ø18.5×13depth, M14×2×17depth	17	—	M26×1.5	26	114	—	10.2	17.3	2	51	126	61	146