



Table for standard stroke

Tube I.D.	Stroke (mm)
ø20,25	5, 10, 15, 20, 25, 30, 40, 50, 60, 80, 100
ø32,40	5, 10, 15, 20, 25, 30, 40, 50, 60, 80, 100, 150, 200
ø50,63,80,100	10, 15, 20, 25, 30, 40, 50, 60, 80, 100, 150, 200, 250, 300

* Please contact us if the stroke is out of specification.

Order example

MCGI – 12 – 20 – 25

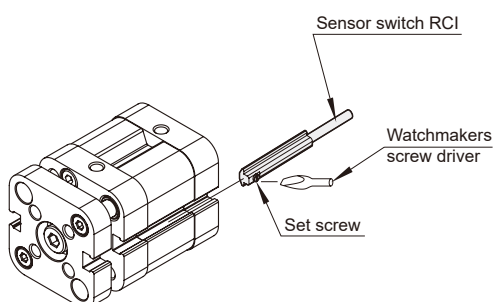
MODEL

TUBE I.D. STROKE

PURPOSE / TYPE OF BEARING

Code	Purpose / Type of bearing
12	Lift / Slide bush

Installation of sensor switch



Features

- Higher loading capacity compared to unguided standard compact cylinders.
- Wide range of bore sizes and strokes.
- Ultra compact, light weight and space saving.
- Sensor slots on RCI sides for flush mounting of proximity sensors.
- Magnetic as standard.

Specification

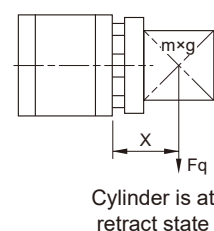
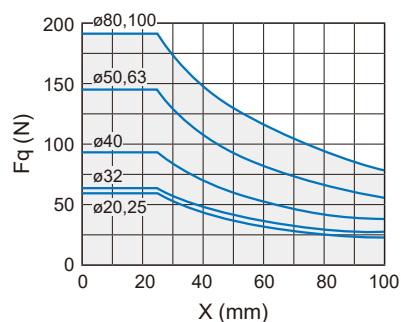
Model	MCGI	
Acting type	Double acting	
Tube I.D. (mm)	20,25	32,40,50,63,80,100
Port size	M5×0.8	G1/8
Medium	Air	
Operating pressure range	0.15~1 MPa	0.1~1 MPa
Proof pressure	1.5 MPa	
Ambient temperature	-5~+60°C (No freezing)	
Cushion	Rubber bumper	
Available speed range	50~500 mm/sec	
Stroke length tolerance (*)	+0~+1.0 mm	
Lubricator	Without lubrication	
Sensor switch	RCI (Please refer to page 8-14)	

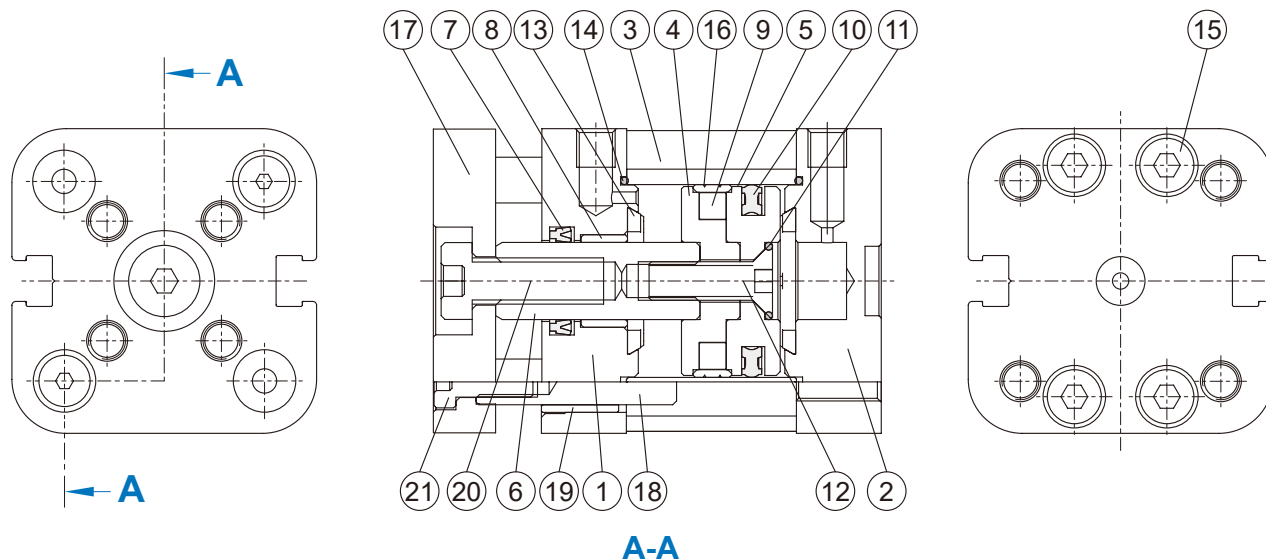
* Stroke length tolerance does not include the amount of bumper change.

Order example of mounting accessories

Code	FBC		
Mounting Tube I.D.			
ø20	FAC-J2-20	ø50	FAC-J2-50
ø25	FAC-J2-25	ø63	FAC-J2-63
ø32	FAC-J2-32	ø80	FAC-J2-80
ø40	FAC-J2-40	ø100	FAC-J2-100

Maximum lateral force (Fq) and Extension length (X) Relationship





Material

No.	Part name	Material	Q'y	Component parts (inclusion)	Repair kits (inclusion)
1	Rod cover	Aluminum alloy	1	●	
2	End cover	Aluminum alloy	1	●	
3	Tube	Aluminum alloy	1		
4	Piston-R	Aluminum alloy	1	●	
5	Piston-H	Aluminum alloy	1	●	
6	Piston rod	*1	1		
7	Rod packing	NBR	1	●	●
8	Bush	Bearing alloy	1	●	
9	Magnet ring	Magnet material	1	●	
10	Piston packing	NBR	1	●	●
11	O-ring	NBR	1	●	●
12	Screw	Carbon steel	1	●	
13	Cushion	NBR	2	●	●
14	O-ring	NBR	2	●	●
15	Screw	Stainless steel	6	●	
16	Wear ring	Resin	1	●	
17	Plate	Aluminum alloy	1	●	
18	Guide rod	Medium carbon steel	2		
19	Guide rod bush	Bearing alloy	2	●	
20	Bolt for piston rod	Carbon steel	1	●	
21	Bolt for guide rod	Carbon steel	2	●	

*1. Material $\phi 20, \phi 25$: Stainless steel; $\phi 32 \sim \phi 100$: Medium carbon steel

Order example of component parts / repair kits

Tube I.D.	Component parts	Repair kits
$\phi 20$	CP-MCGI-20	PS-MCJI-20
$\phi 25$	CP-MCGI-25	PS-MCJI-25
$\phi 32$	CP-MCGI-32	PS-MCJI-32
$\phi 40$	CP-MCGI-40	PS-MCJI-40
$\phi 50$	CP-MCGI-50	PS-MCJI-50
$\phi 63$	CP-MCGI-63	PS-MCJI-63
$\phi 80$	CP-MCGI-80	PS-MCJI-80
$\phi 100$	CP-MCGI-100	PS-MCJI-100

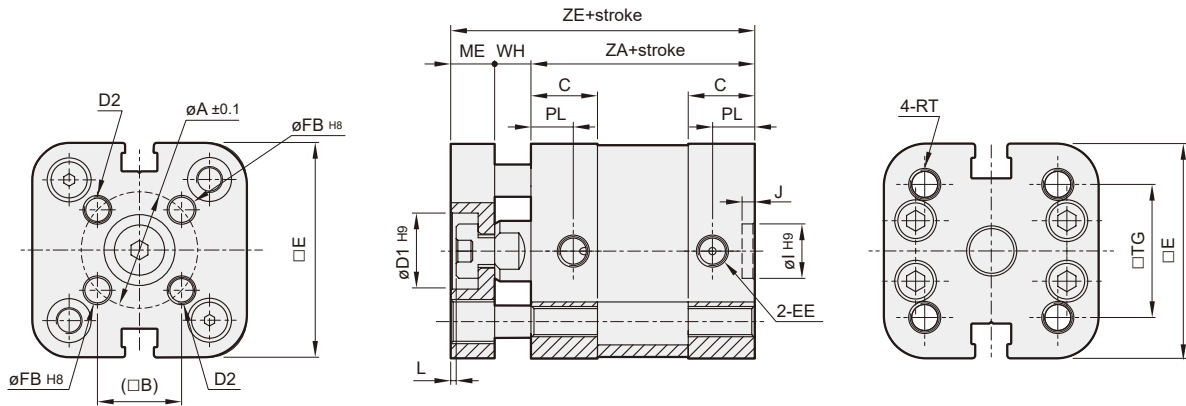
*Use the same repair kits with MCJI.

Cylinder weight

Unit: g

Model	Basic weight MCGI-12	Stroke 5mm MCGI-12
Tube I.D.		
$\phi 20$	146	18
$\phi 25$	172	22
$\phi 32$	280	28
$\phi 40$	378	40
$\phi 50$	614	58
$\phi 63$	871	60
$\phi 80$	1,564	94
$\phi 100$	2,595	100

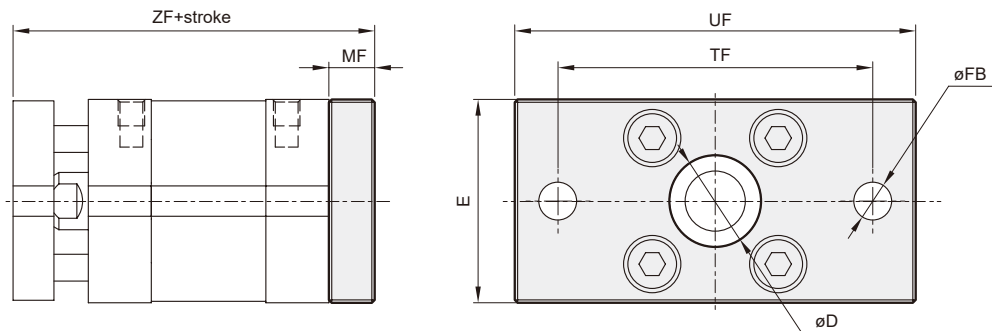
COMPACT TWIN-GUIDE CYLINDER



Code Tube I.D.	A	B	C	D1	D2	E	EE	FB	I	J	L	ME	PL	RT	TG	WH	ZA	ZE
20	17	12	11	11	M4×0.7	35.5	M5×0.8	4	9	2.1	1	8	7	M5×0.8	22	6	37	51
25	22	15.6	11	14	M5×0.8	39.5	M5×0.8	5	9	2.1	1	8	7	M5×0.8	26	6	39	53
32	28	19.8	14	17	M5×0.8	47	G1/8	5	9	2.1	1.5	10	7.5	M6×1.0	32.5	7	44	61
40	33	23.3	14	17	M5×0.8	54.5	G1/8	5	9	2.1	1.5	10	7.5	M6×1.0	38	7	45	62
50	42	29.7	14	22	M6×1.0	65.5	G1/8	6	12	2.6	1.5	12	7.5	M8×1.25	46.5	8	45	65
63	50	35.4	14.5	22	M6×1.0	75.5	G1/8	6	12	2.6	1.5	12	7.5	M8×1.25	56.5	8	49	69
80	65	46	15.5	24	M8×1.25	95.5	G1/8	8	12	2.6	2	14	8	M10×1.5	72	10	54	78
100	80	56.6	18.5	24	M10×1.5	113.5	G1/8	10	12	2.6	2	14	9.5	M10×1.5	89	10	67	91

FBC

$\phi 20, \phi 25$



$\phi 32 \sim \phi 100$

Code Tube I.D.	D	E	FB	MF	R	TF	UF	ZF
20	16	35.5	6.6	8	—	55	70	59
25	16	39.5	6.6	8	—	60	76	61
32	30	47	7	10	32	64	80	71
40	35	54.5	9	10	36	72	90	72
50	40	65.5	9	12	45	90	110	77
63	45	75.5	9	12	50	100	120	81
80	45	95.5	12	16	63	126	150	94
100	55	113.5	14	16	75	150	175	107

