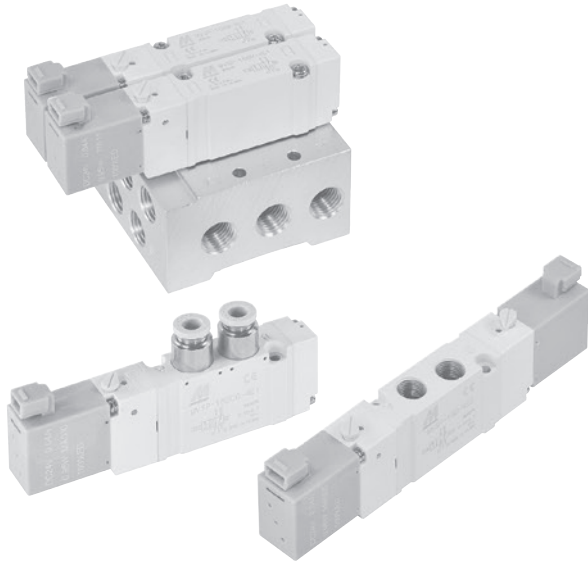


# MVSP-156 series

## SOLENOID VALVE



### Specification

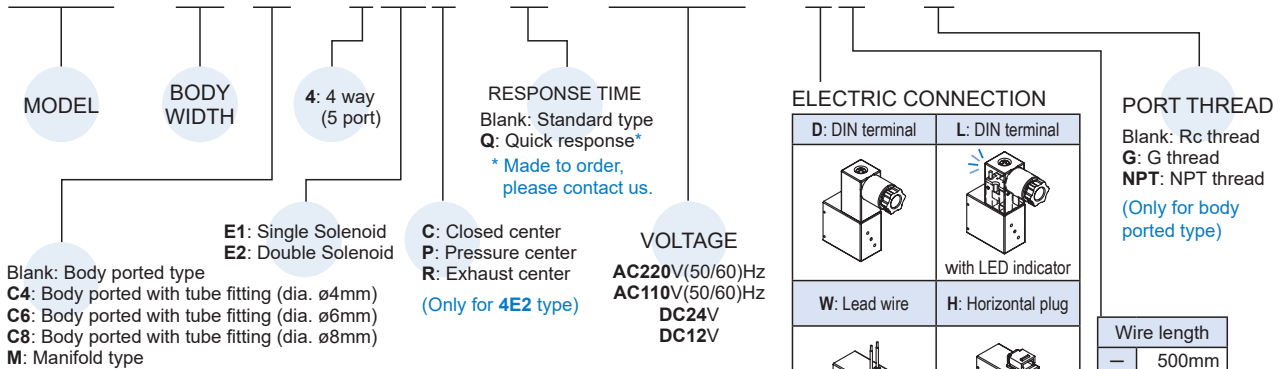
\* Refer to page 1-21 for feature.

Model		4E1	4E2	4E2 C.P.R
Port size		1/8		
No. of port / position		5 / 2		5 / 3
Medium		Air		
Operating perssure range		0.15~0.7 MPa		0.2~0.7 MPa
Proof pressure		1 MPa		
Effective orifice	Body ported	11 mm <sup>2</sup>	9.5 / 14.6 / 9.5 mm <sup>2</sup>	
	Manifold	10 mm <sup>2</sup>	7.5 / 13 / 8 mm <sup>2</sup>	
Response time	Standard	AC<36ms, DC<23ms		AC<46ms, DC<25ms
	Quick response*	AC<32ms, DC<20ms		AC<40ms, DC<22ms
Power consumption	Standard	AC=1.12VA, DC=0.95W		
	Quick response*	AC=2.5VA, DC=2.5W		
Ambient temperature		-5~+50°C (No freezing)		
Voltage		AC110V, 220V (50/60)Hz, DC24/12V		
Available voltage range		±10%		
Insulation class		F class		
Weight		83 g	118 g	127 g

### Order example of valve

\* For quick response type, it cannot be energized for more than 30 minutes.

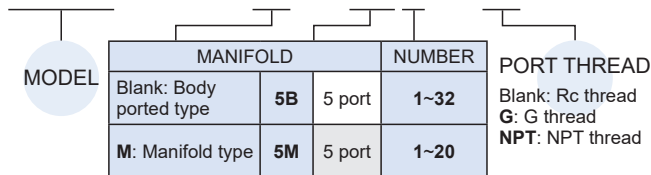
**MVSP – 156M – 4E2C – □ – AC110 – H1 – G**



### Order example of manifold

\* Use the same manifold with MVSJ.

**MVSJ – 156M – 5B3 – G**

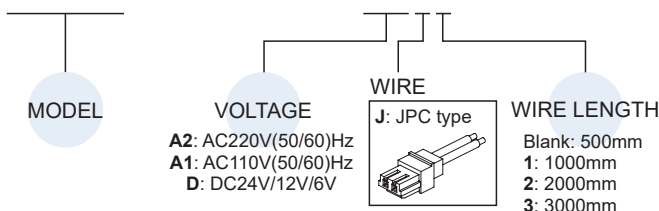


\* Starting from 11 stations, manifolds are made to order.

### Order example of wire

\* Use the same wire with MVDY.  
\* Only for "H: Horizontal plug".

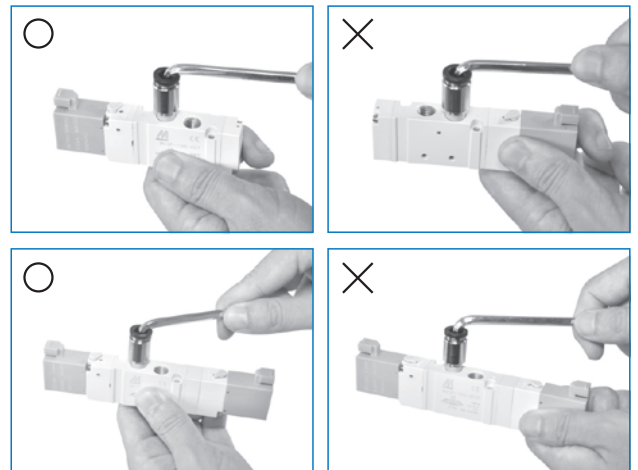
**MVDY – 100 – WA2J2**



### Caution

\* Wire length only for "H: Horizontal plug".

Prohibit apply force to coil when tighten the tube fitting.

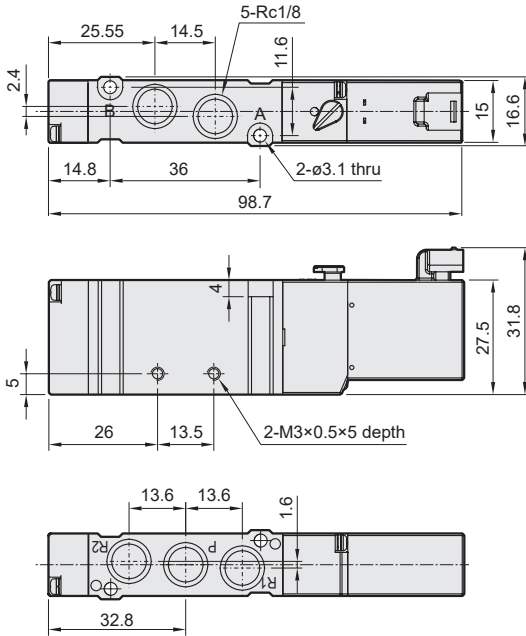
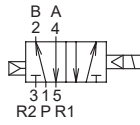


# MVSP-156 Dimensions

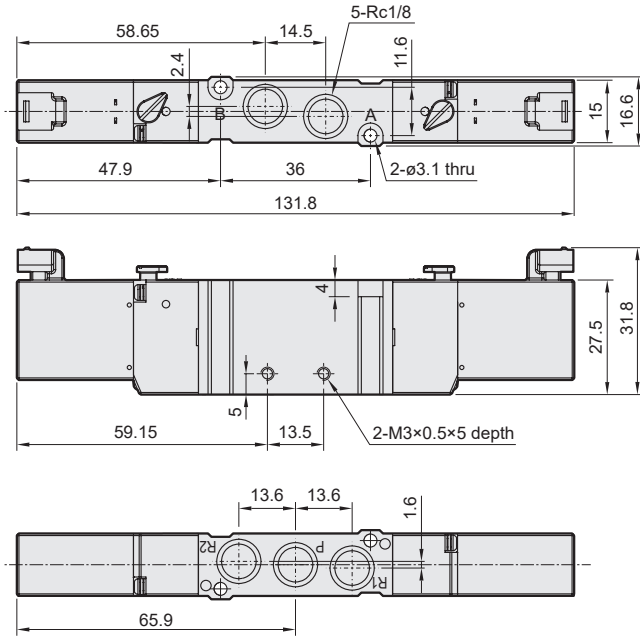
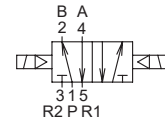
## SOLENOID VALVE



**MVSP-156-4E1**



**MVSP-156-4E2**

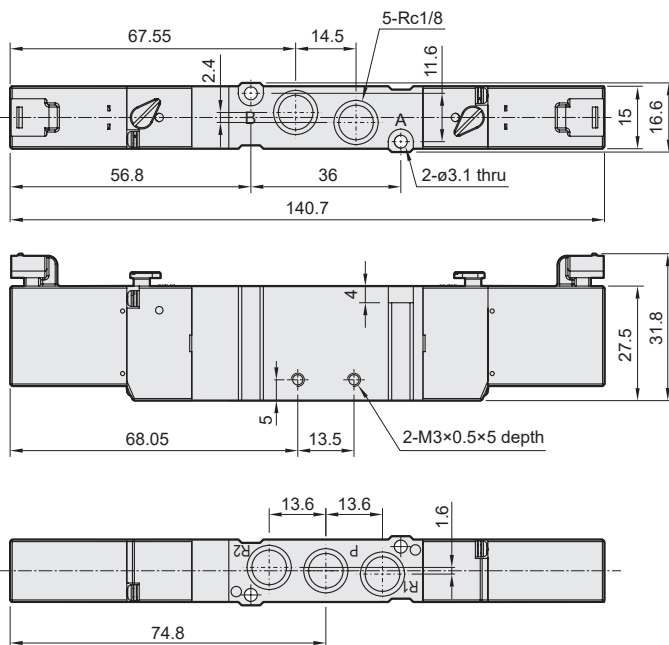
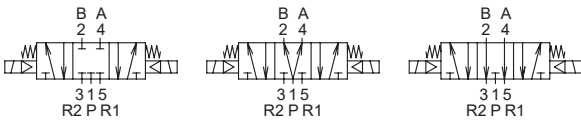


**MVSP-156-4E2C.P.R**

**MVSP-156-4E2C**

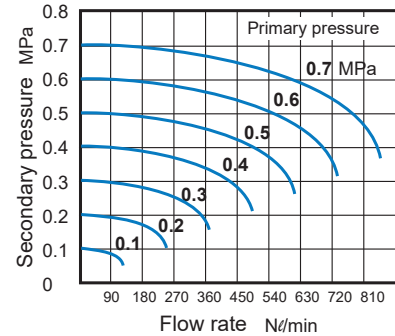
**MVSP-156-4E2P**

**MVSP-156-4E2R**

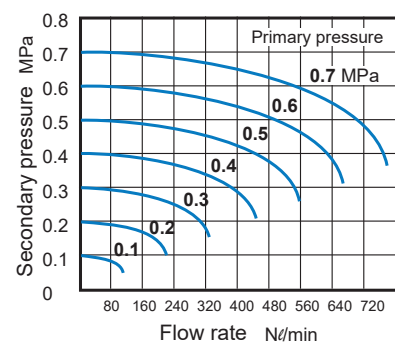


## Flow features

**MVSP-156-4E1/4E2**



**MVSP-156M-4E1/4E2**

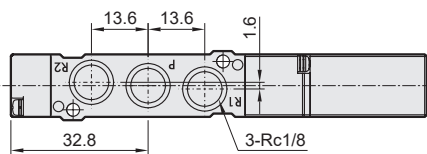
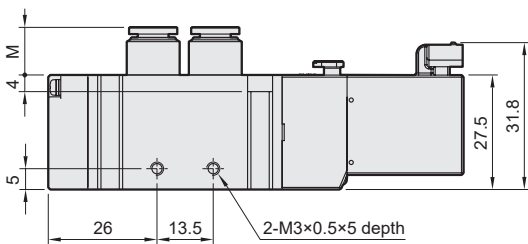
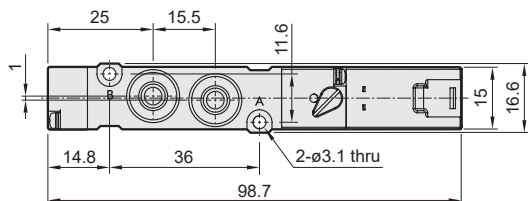
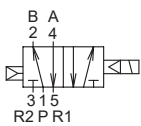


# MVSP-156 Dimensions

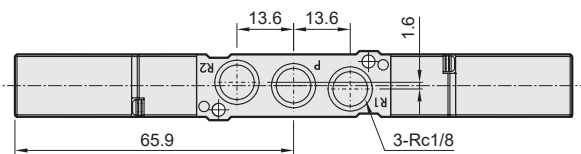
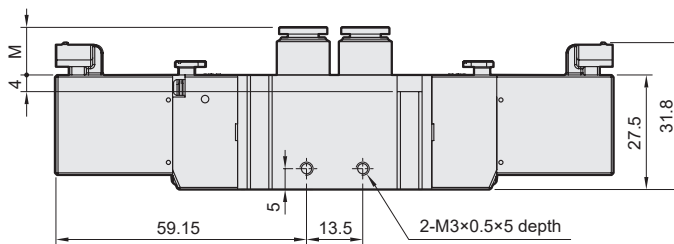
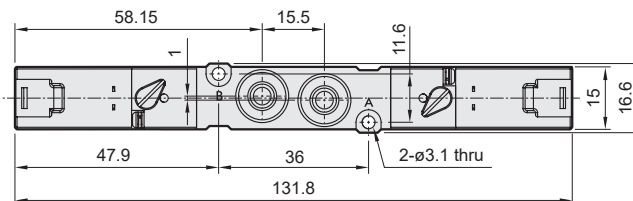
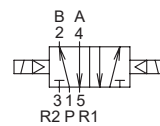
## SOLENOID VALVE



### MVSP-156C\*-4E1



### MVSP-156C\*-4E2

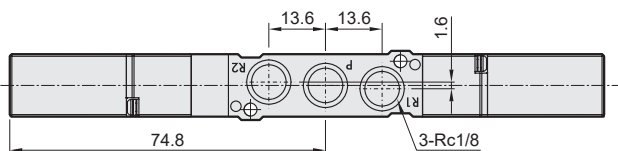
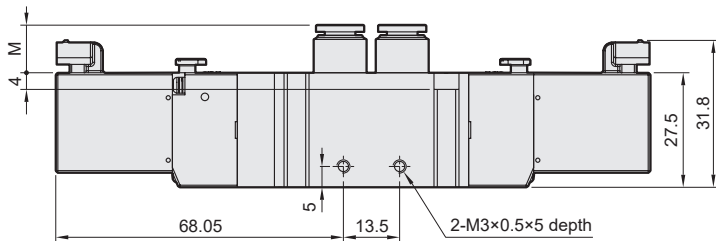
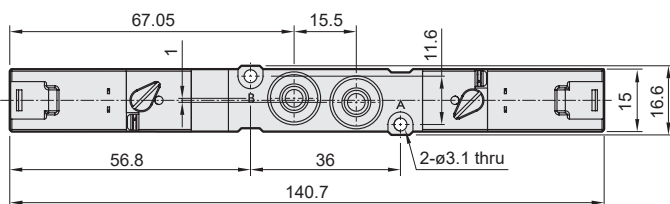
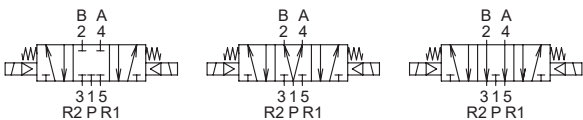


### MVSP-156C\*-4E2C.PR

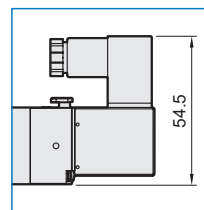
#### MVSP-156-4E2C

#### MVSP-156-4E2P

#### MVSP-156-4E2R



### DIN terminal / DIN terminal with LED indicator



Code Tube fitting	M
C4 (ø4)	(13.8)
C6 (ø6)	(14.7)
C8 (ø8)	(19.3)

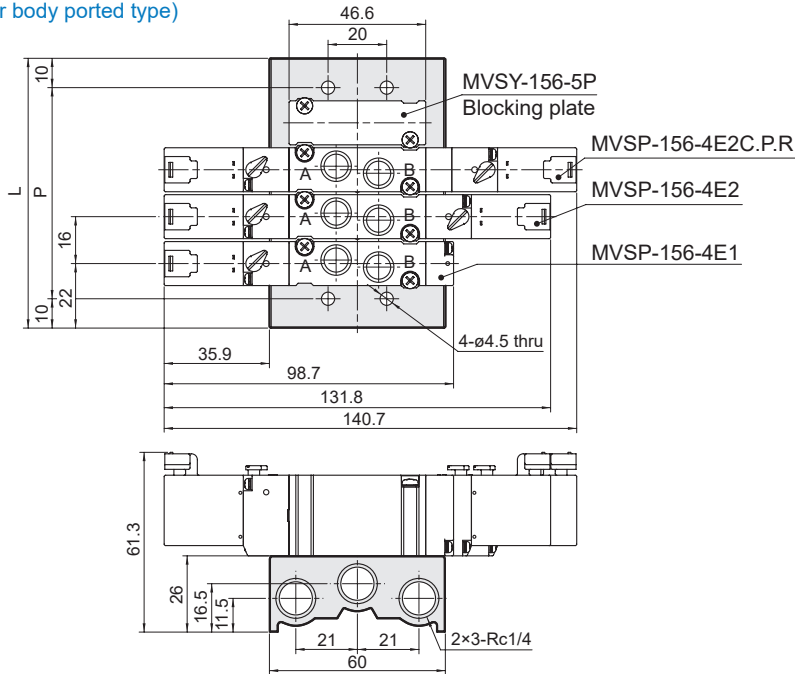
# MVSP-156 Manifold

## SOLENOID VALVE



### MVSY-156-5B\*

5 port (for body ported type)

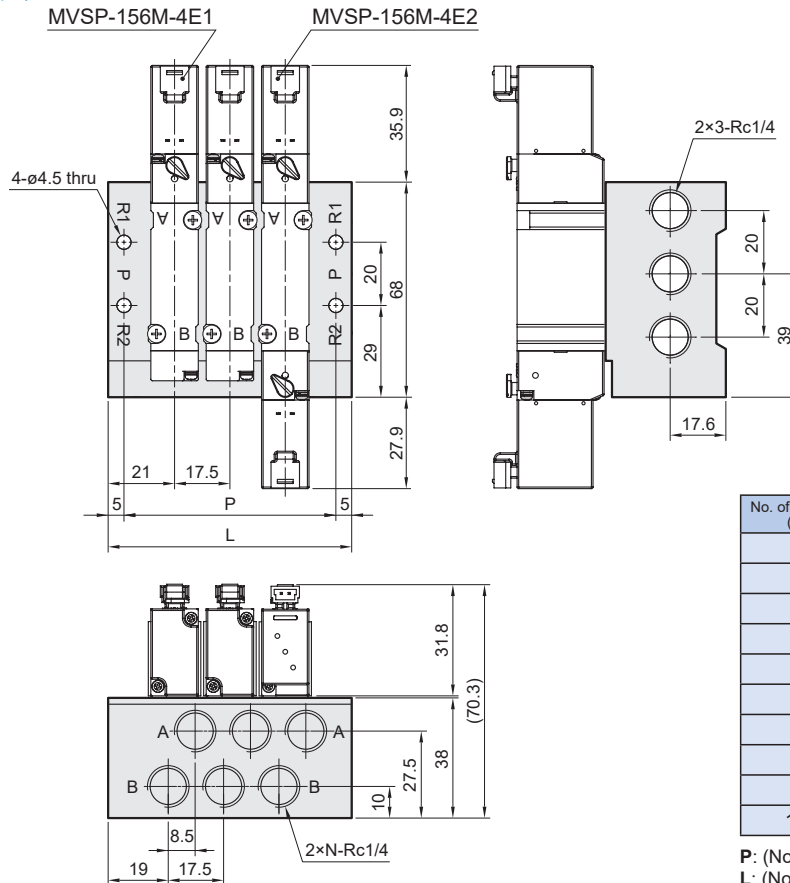


No. of stations	P	L
1	24	44
2	40	60
3	56	76
4	72	92
5	88	108
6	104	124
7	120	140
8	136	156
9	152	172
10	168	188

P: (No. of stations-1)×16+24  
L: (No. of stations-1)×16+44

### MVSY-156M-5M\*

5 port (for manifold type)



No. of stations (N)	P	L
1	32	42
2	49.5	59.5
3	67	77
4	84.5	94.5
5	102	112
6	119.5	129.5
7	137	147
8	154.5	164.5
9	172	182
10	189.5	199.5

P: (No. of stations-1)×17.5+32  
L: (No. of stations-1)×17.5+42

# MVSP-156 Mounting bracket & Spacer assembly

SOLENOID VALVE



## Order example of bracket

\* Use the same bracket with MVSYS.

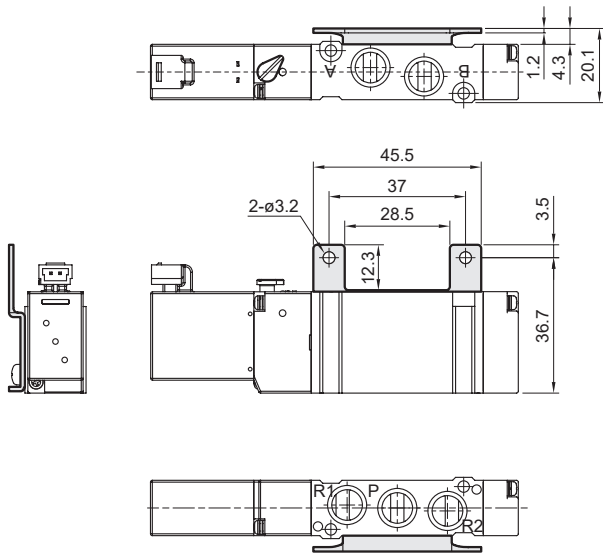
MVSYS – 156 – 1A

MODEL

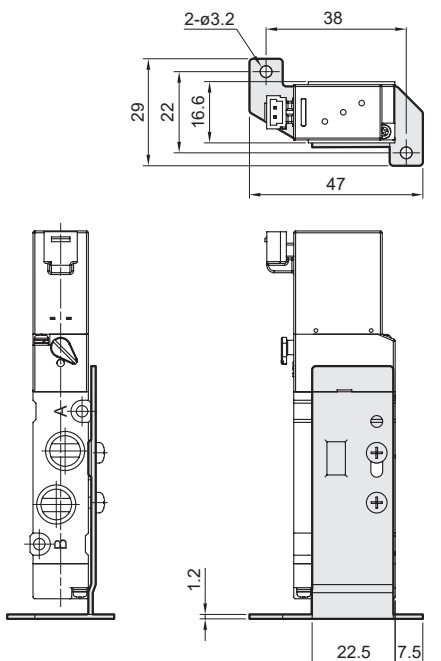
MOUNTING BRACKET

1A  
2A

MVSYS-156-1A



MVSYS-156-2A



## Order example of spacer assembly

\* Use the same spacer assembly with MVSYS.

MVSYS – 156M – 5BP

MODEL

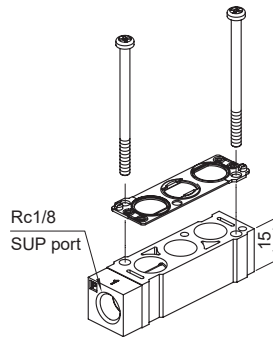
5B: 5 Port (for body ported type)  
5M: 5 Port (for Manifold type)

SPACER ASSEMBLY

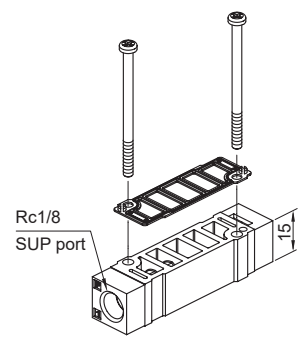
Blank: Body ported type  
M: Manifold type

P: Individual SUP spacer assembly  
R: Individual EXH spacer assembly  
PR: Individual SUP spacer assembly+  
Individual EXH spacer assembly

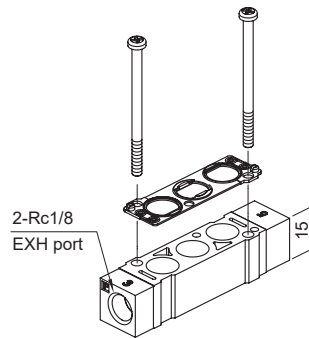
MVSYS-156-5BP



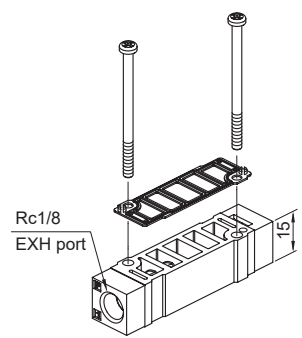
MVSYS-156M-5MP



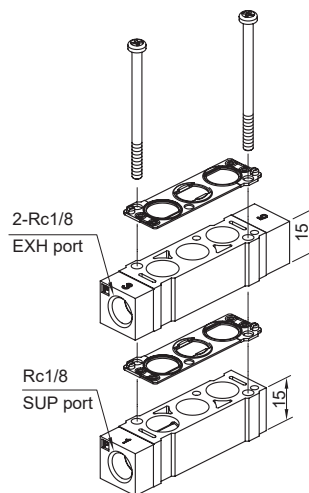
MVSYS-156-5BR



MVSYS-156M-5MR



MVSYS-156-5BPR



MVSYS-156M-5MPR

