

Features

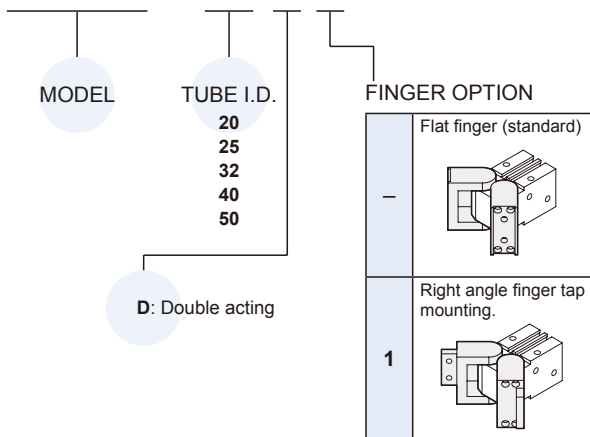
- Extremely compact design saves operating space.
- Synchronisation of gripping fingers.
- Dust seals protect all internal parts from ingress of dirt.
- Proximity and reed switches can be used with this unit.

Specification

Model	MCHW				
Acting Type	Double acting				
Tube I.D. (mm)	20	25	32	40	50
Medium	Air				
Operating pressure range	0.2~0.7 MPa				
Ambient temperature	-10~+60°C (No freezing)				
Repeatability	±0.2 mm				
Max. operating frequency (c.p.m)	60		30		
Lubrication (*1)	Not required				
Effective force (Nm) at (0.5 MPa)	0.3	0.73	1.61	3.7	8.27
Operating angle (both sides)	Opened side	180°			
	Closed side	-5°	-6°	-5°	-4°
Sensor switch (*2)	RK: Reed switch, RKN: NPN, RKP: PNP				
Weight (kg)	0.30	0.53	1	2.2	5.15

Order example

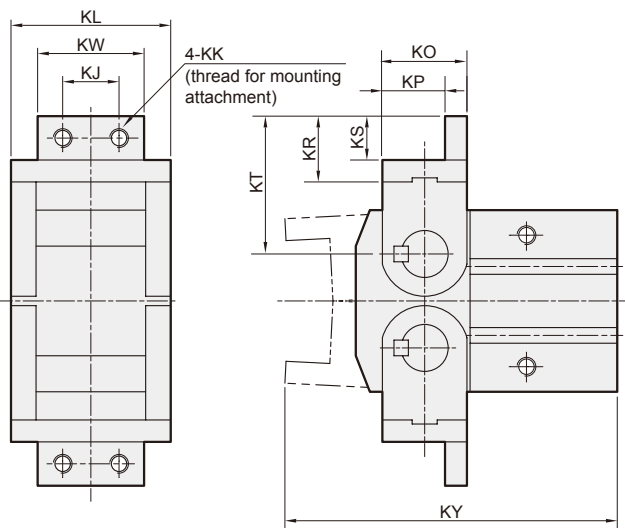
MCHW – 25 D 1



*1. Maintenance: Re-Lubrication after appr. 1.5 million cycles recommended.

*2. RK specification, please refer to page 5-13.

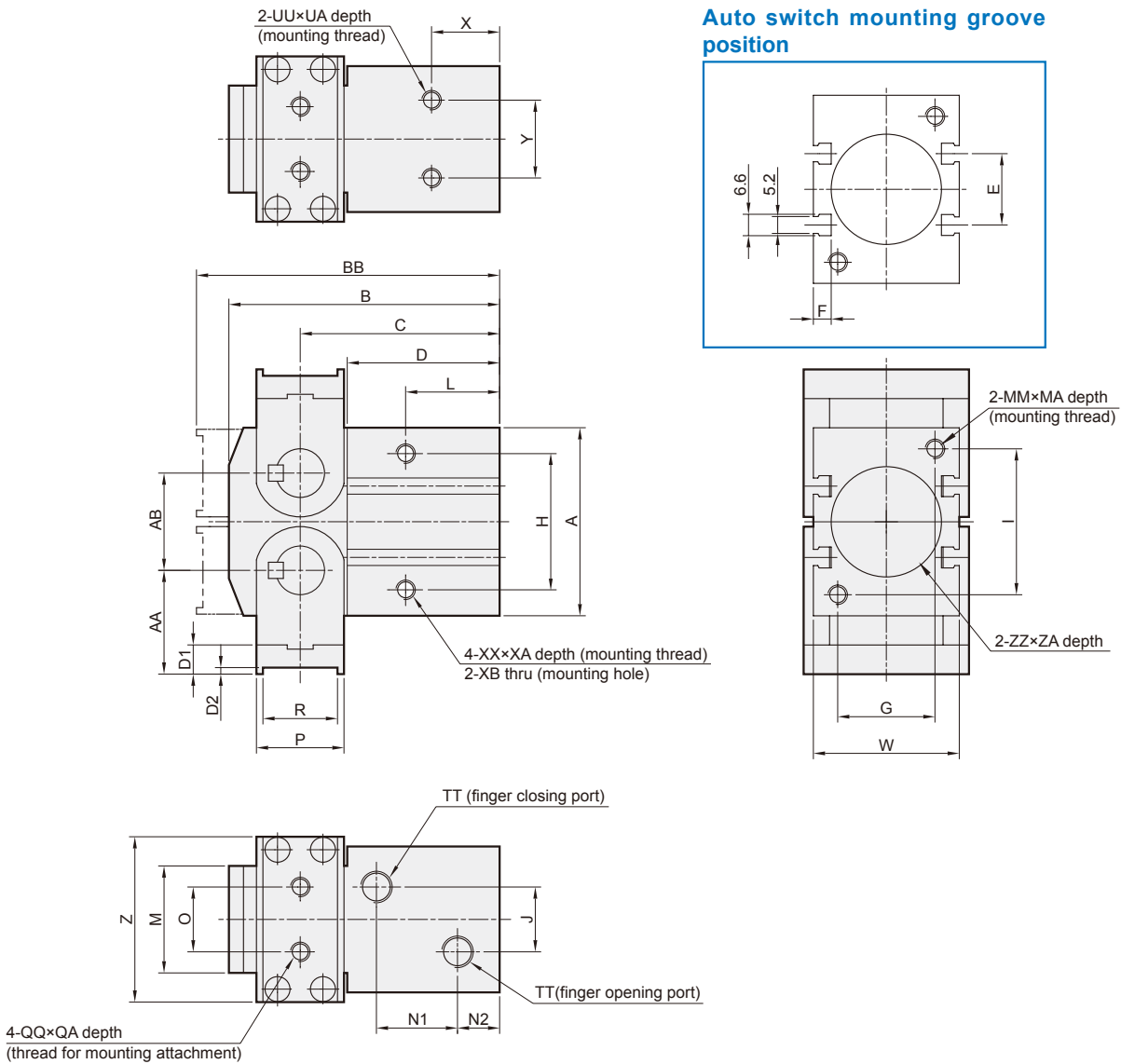
Right angle finger



Code Tube I.D.	KA	KJ	KK	KL	KO	KP	KR	KS
20	5	14	M4×0.7	41	16	11	15	10
25	6	16	M5×0.8	45	21	15	18	12
32	7	18	M6×1	51	27	20	21	14
40	10	24	M8×1.25	67	36	26	30	21
50	12	30	M10×1.5	85	52	39	37	24

Code Tube I.D.	KT	KW	KY
20	31	28	76
25	37	30	88
32	44	34	105.5
40	60	44	135.5
50	78	58	175

Flat finger (standard)



Code Tube I.D.	A	AA	AB	B	BB	C	D	D1	D2	E	F	G	H	I	J	L	M	MA	MM	N1	N2	O	P
20	36	23	18	60	68	45	35	7	2	8	6	26	27	26	12	23	30	10	M5×0.8	20	9	18	16
25	45	27	24	69	78	51	40	8	2	9	5.5	30	34	30	16	27	30.3	12	M6×1	23	10	20	21
32	58	32	30	83.5	93.5	61.5	47	9	2	22	5.5	30	42	45	20	29	32.9	12	M6×1	25	13	20	27
40	80	42	40	104.5	117.5	75.5	56.5	12	3	20	6	36	54	60	20	37.5	45	15	M8×1.25	33.5	14	28	36
50	112	58	56	136	154	96	69	17	4	26	6	40	70	80	30	48	58.6	20	M10×1.5	22	16	38	52

Code Tube I.D.	R	QA	QQ	TT	UA	UU	W	X	XA	XB	XX	Y	Z	ZA	ZZ
20	12 ^{+0.2} _{+0.1}	5	M4×0.7	M5×0.8	7	M5×0.8	36	17	10	4.2	M5×0.8	20	41	3	$\phi 21H9$ ^{+0.052} ₊₀
25	17 ^{+0.2} _{+0.1}	6	M5×0.8	M5×0.8	10	M6×1	40	20	12	5.1	M6×1	24	45	3	$\phi 26H9$ ^{+0.052} ₊₀
32	23 ^{+0.2} _{+0.1}	7	M6×1	Rc1/8	10	M6×1	45	21	12	5.1	M6×1	24	51	4	$\phi 34H9$ ^{+0.062} ₊₀
40	30 ^{+0.3} _{+0.1}	9	M8×1.25	Rc1/8	15	M8×1.25	56	27.5	16	6.8	M8×1.25	30	67	4	$\phi 42H9$ ^{+0.062} ₊₀
50	44 ^{+0.4} _{+0.1}	13	M10×1.5	Rc1/4	20	M10×1.5	66	36	20	8.5	M10×1.5	40	85	5	$\phi 52H9$ ^{+0.074} ₊₀