



Order example

MVQE300 – 10A – G

MODEL

STYLE

0: Lip (6A-15A)
1: Diaphragm (10A-25A)

PORT THREAD

Blank: Rc thread
G: G thread
NPT: NPT thread

BODY SIZE

1: 1/8
3: 3/8
4: 1/2
5: 3/4

PORT SIZE

Port size	Applicable series
6A Rc1/8	MVQE100
8A Rc1/4	MVQE300
10A Rc3/8	MVQE300, MVQE301
15A Rc1/2	MVQE301, MVQE400
20A Rc3/4	MVQE501
25A Rc1	

Features

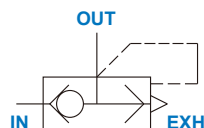
- This unit makes it possible to achieve increased piston speeds on the exhaust stroke with single acting and double acting cylinders.

Specification

Model	MVQE
Medium	Air
Operating pressure range	0.1~1 MPa
Proof pressure	1.5 MPa
Ambient temperature	-5~+60°C (No freezing)

Model	Port size	Effective orifice(mm ²)		Weight
		IN→OUT	OUT→EXH	
MVQE-100-6A	Rc1/8	9	19	40 g
MVQE-300-8A	Rc1/4	24	31	100 g
MVQE-300-10A	Rc3/8	25	33	80 g
MVQE-301-10A	Rc3/8	60	70	230 g
MVQE-301-15A	Rc1/2	110	110	212 g
MVQE-400-15A	Rc1/2	46	46	240 g
MVQE-501-20A	Rc3/4	135	180	765 g
MVQE-501-25A	Rc1	176	187	695 g

Symbol

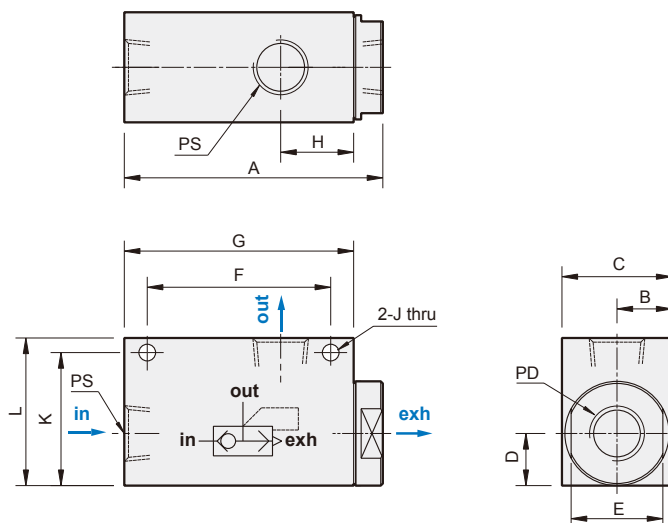


MVQE Dimensions

QUICK EXHAUST VALVE

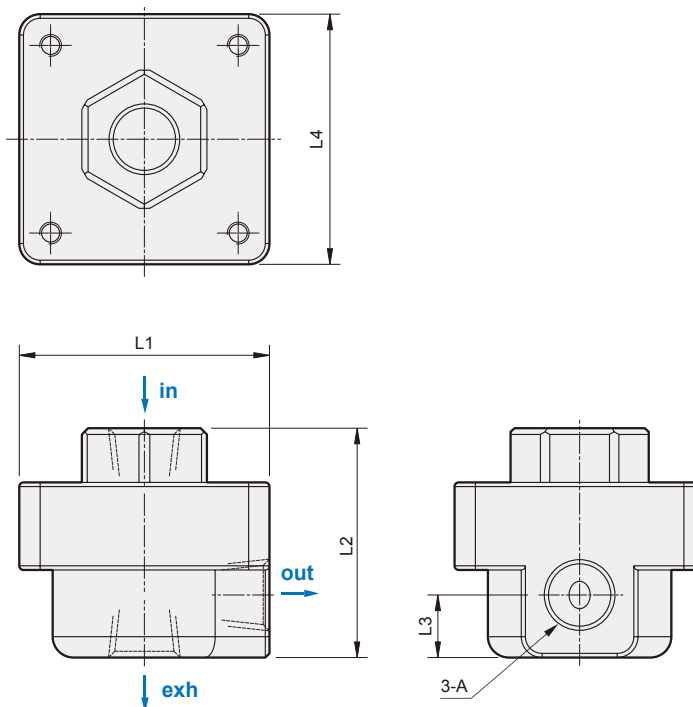


MVQE100/300/400



Code Model	A	B	C	D	E	F	G	H	J	K	L	PS	PD	
MVQE100 6A	40	8.25	16.5	9	14	26	35	12	ø3.4	22.6	26	Rc1/8	Rc1/8	
MVQE300	8A	62	13.2	26.4	13	22	45	55	17.5	ø4	29.5	35.4	Rc1/4	Rc3/8
	10A	62	13.2	26.4	13	22	45	55	17.5	ø4	29.5	35.4	Rc3/8	Rc1/8
MVQE400 15A	69	20	40	20	36	51	62	20	ø4	46	52	Rc1/2	Rc1/2	

MVQE301/501



Code Model	A	L1	L2	L3	L4	
MVQE301	10A	Rc3/8	60	55	15	60
	15A	Rc1/2	60	55	15	60
MVQE501	20A	Rc3/4	90	82.5	23	90
	25A	Rc1	90	82.5	23	90