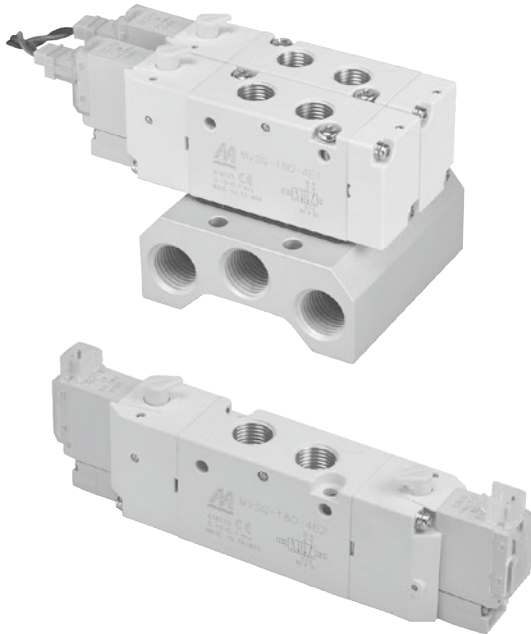


MVSG-180 series

SOLENOID VALVE



Mindman

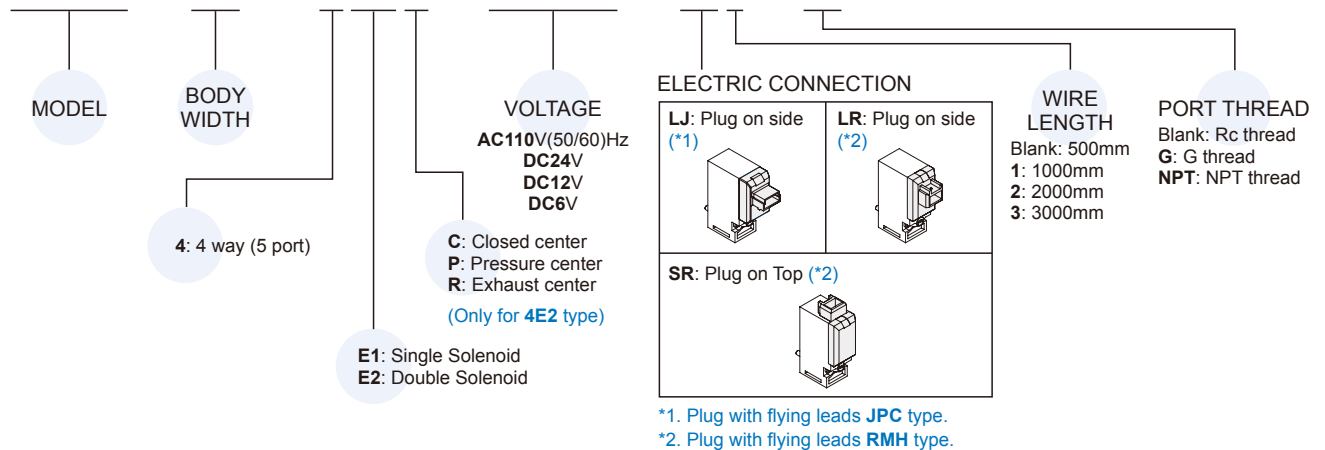


Specification

Model	4E1	4E2	4E2 C.P.R
Bore No.	6A		
Port size	Rc1/8		
No. of port	5		
No. of position	2	3	
Medium	Air		
Operating perssure range	0.15~0.7 MPa	0.3~0.7 MPa	
Proof pressure	1 MPa		
Effective orifice	10 mm ²		
Reponse time	15 ms	30 ms	
Ambient temperature	+5~+50°C		
Voltage	AC110V (50/60)Hz, DC24/12/6V		
Power consumption	AC=1.6VA, DC=0.55W		
Available voltage range	±10%		
Insulation class	B class		
Weight	74 g	94 g	132 g

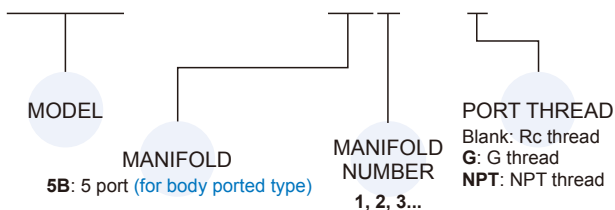
Order example of valve

MVSG – 180 – 4E2C – AC110 – LJ1 – G



Order example of manifold

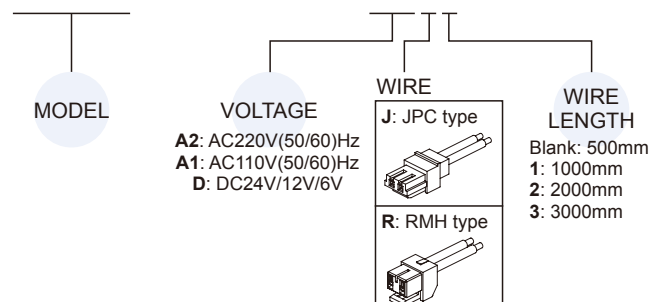
MVSG – 180 – 5B3 – G



Order example of wire

* Use the same wire with MVDY.

MVDY – 100 – WA2J2

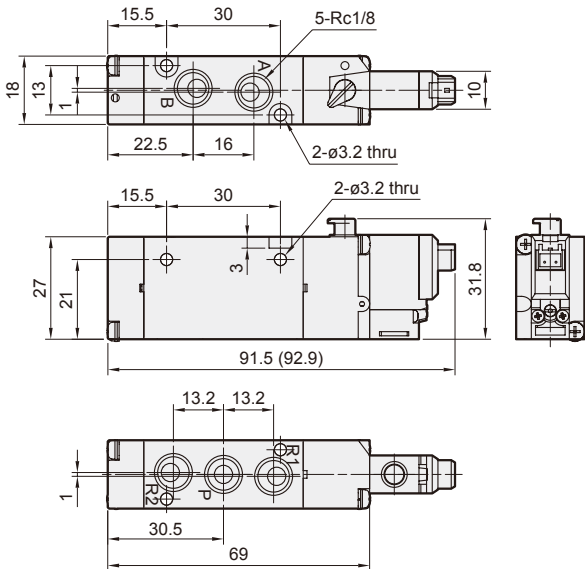
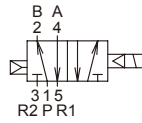


MVSG-180 Dimensions

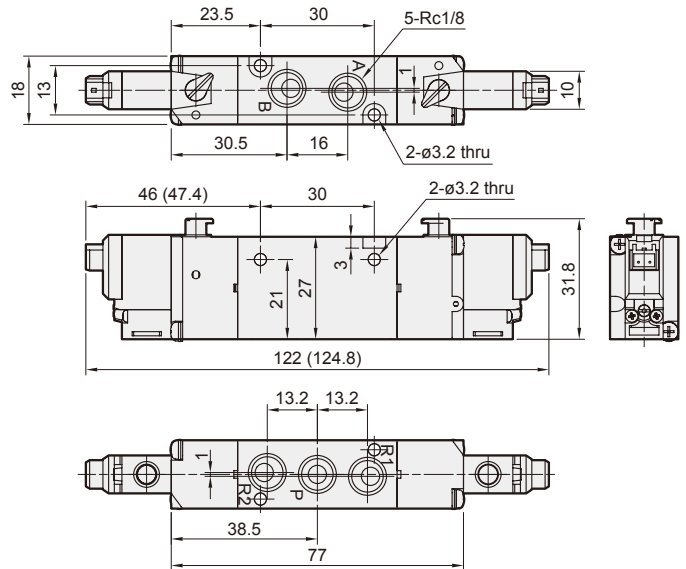
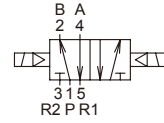
SOLENOID VALVE



MVSG-180-4E1



MVSG-180-4E2

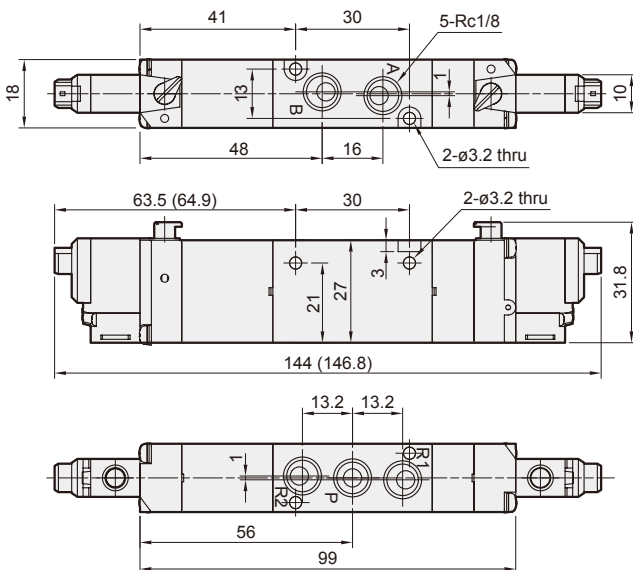
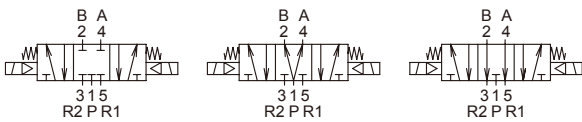


MVSG-180-4E2C.PR

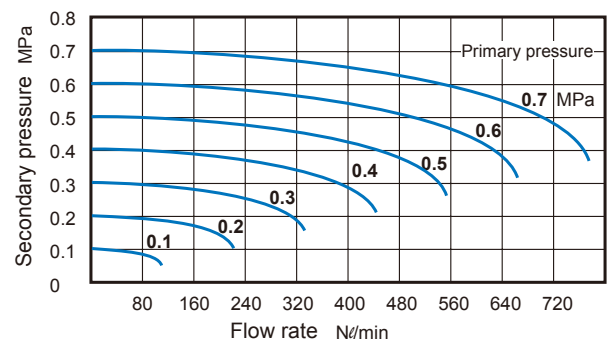
MVSG-180-4E2C

MVSG-180-4E2P

MVSG-180-4E2R



Flow features



() : Dimension for LJ plug type.

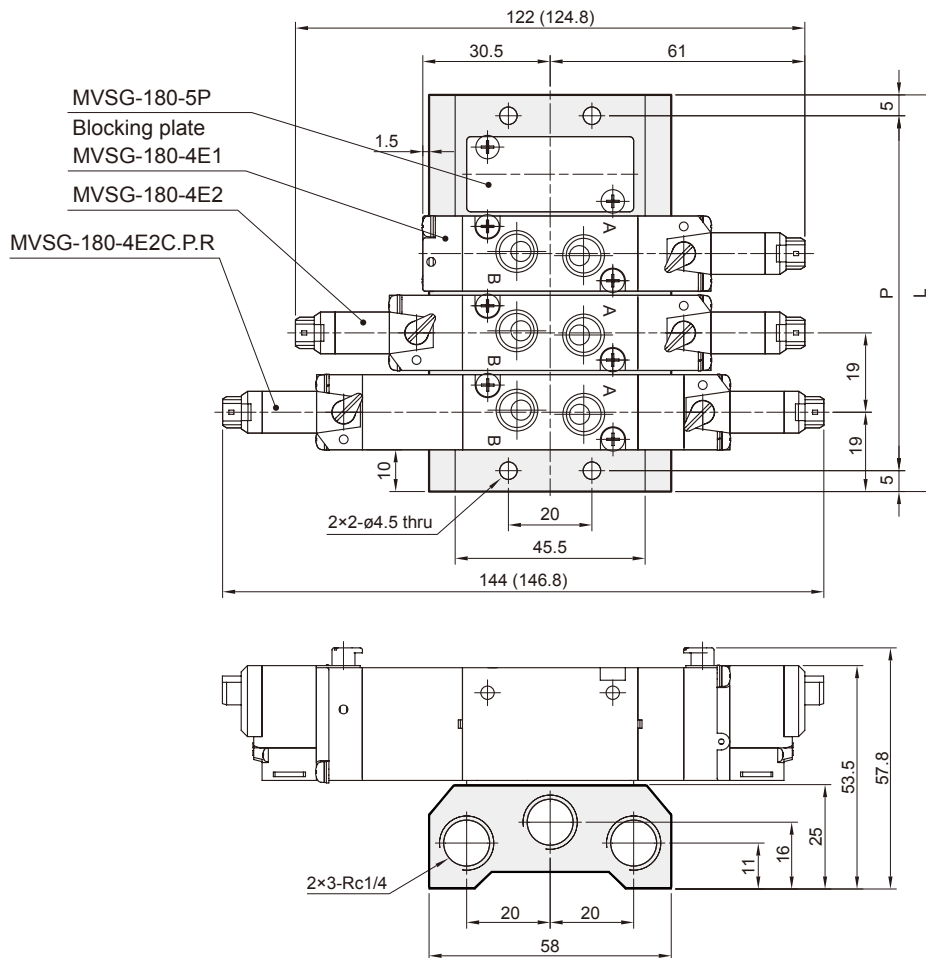
MVSG-180 Manifold

SOLENOID VALVE



MVSG-180-5B*

5 port (for body ported type)



No. of stations	P	L
2	47	57
3	66	76
4	85	95
5	104	114
6	123	133
7	142	152
8	161	171
9	180	190
10	199	209

(): Dimension for LJ plug type.