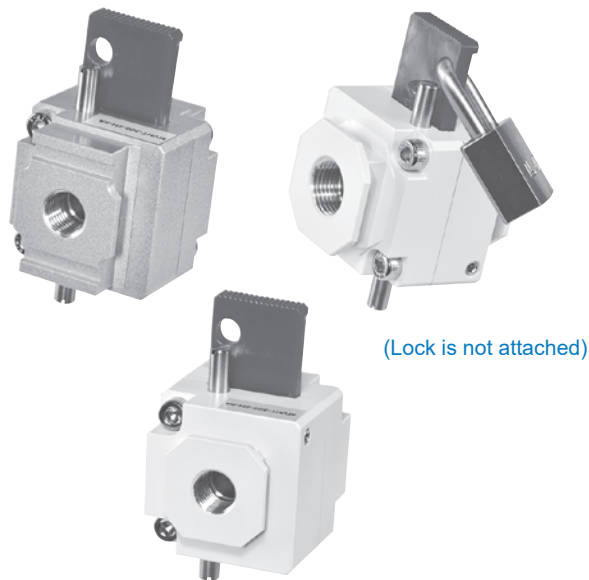


# MVHT series

## SHUTOFF VALVE



### Specification

Model	MVHT-302, MVHT-400		
Bore No.	8A	10A	15A
Port size	1/4	3/8	1/2
No. of port	3(2)		
No. of position	2		
Medium	Air		
Operating pressure range	0~1.5 MPa		
Proof pressure	2 MPa		
Ambient temperature	-5~+60°C (No freezing)		
Weight	249 g, 220 g		

### Order example

**MVHT - 302 - 3H - 8A - 1 - G**

MODEL

MODEL for F.R.L  
**302:** for MA\*\*302 series  
**400:** for MA\*\*401, 403 series

**8A:** 1/4  
**10A:** 3/8  
**15A:** 1/2

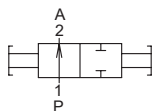
**2H:** 2way(2port)  
**3H:** 3way(3port)  
 (Residual pressure release)

PORT THREAD  
 Blank: Rc thread  
**G:** G thread  
**NPT:** NPT thread

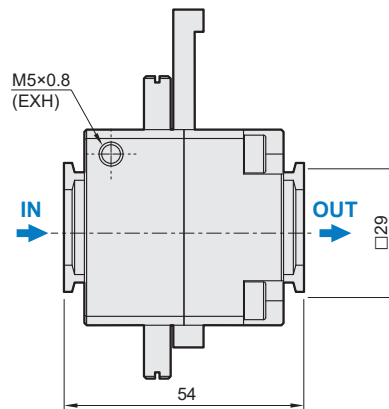
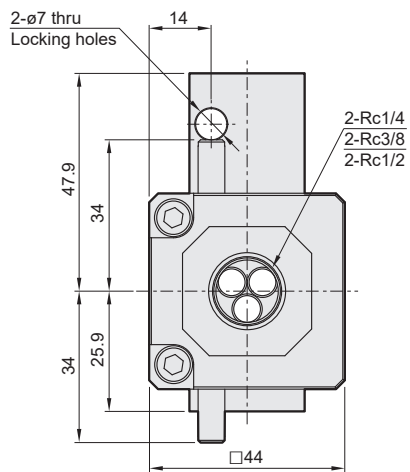
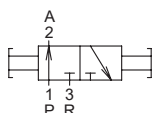
Apply to MVHT-400  
**1:** Silver (For air unit 401 series)  
**3:** Cool gray (For air unit 401-W, 403 series)

### MVHT-302

2H

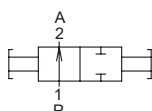


3H



### MVHT-400

2H



3H

