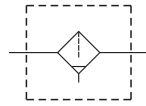


MAF501 series

AIR UNIT (FILTER)



Symbol



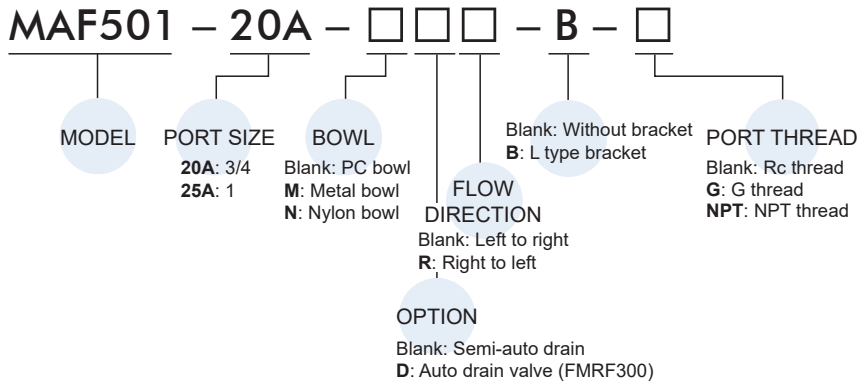
Specification

Model	MAF501	
Bore No.	20A	25A
Port size	3/4	1
Medium	Air	
Operating pressure range (*)	Nylon bowl, PC bowl: 0.05~1 MPa	
	Metal bowl: 0.05~1.5 MPa	
Proof pressure	Nylon bowl, PC bowl: 1.5 MPa	
	Metal bowl: 2 MPa	
Ambient temperature	- 5~+60°C (No freezing)	
Filter element	40 μm	
Drain capacity	Nylon bowl, PC bowl: 75 cm ³	
	Metal bowl: 70 cm ³	
Weight	Nylon bowl, PC bowl: 1180g	
	Metal bowl: 1300g	

* Standard unit contains semi-auto-drain function when operating pressure below 0.05 MPa.

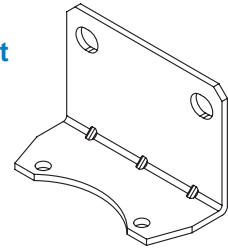
* Choose auto-drain FMRF300, the pressure range is 0.15~1 MPa.

Order example

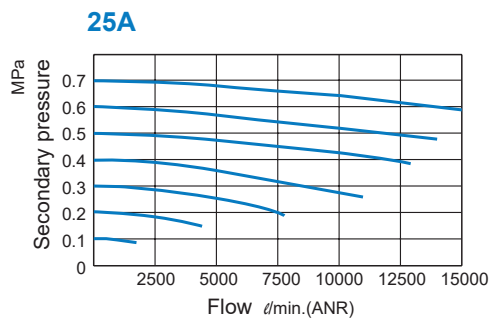
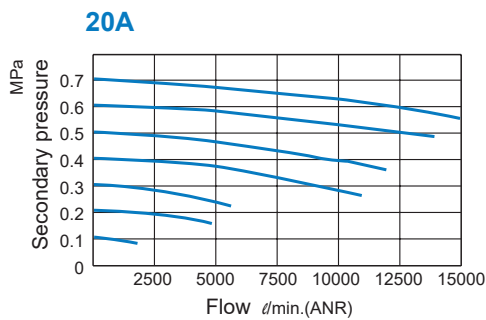


Option accessories

L type bracket



Flow feature



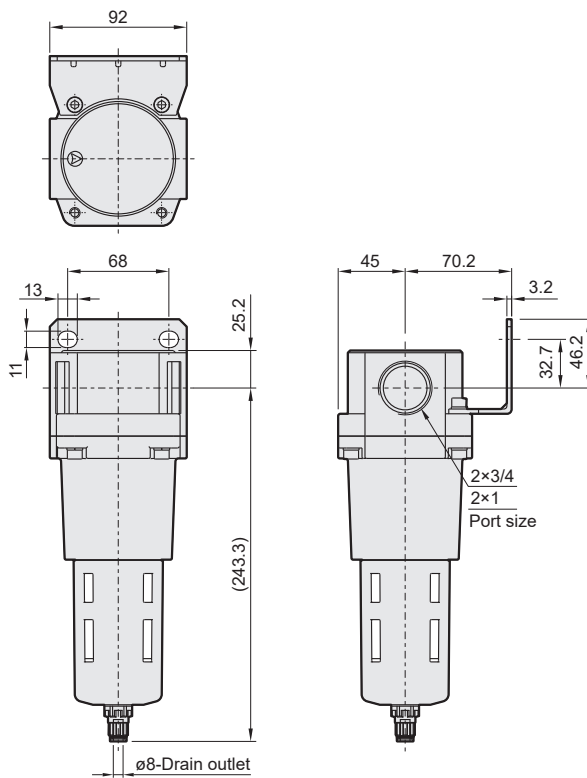
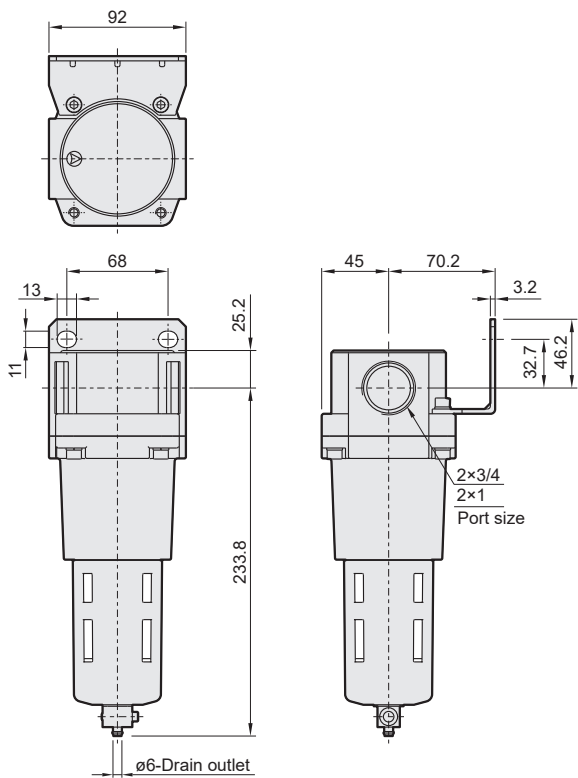
MAF501 Dimensions

AIR UNIT (FILTER)



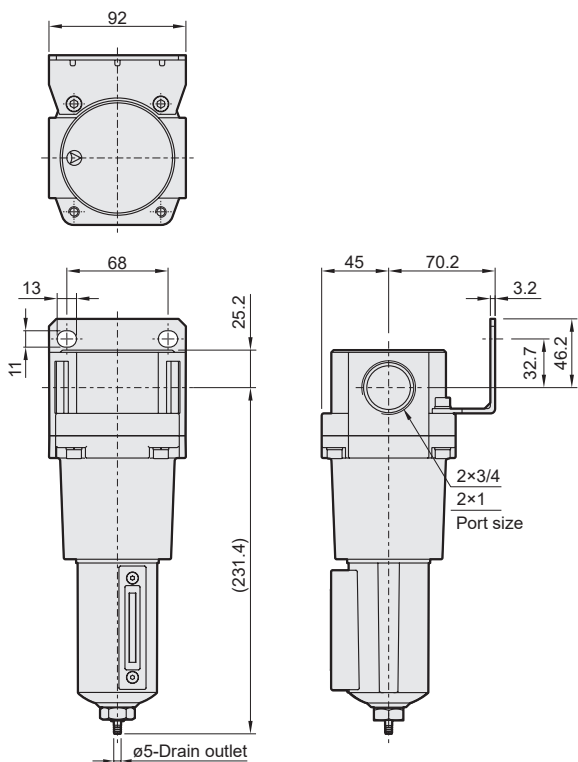
MAF501-D

Auto drain valve



MAF501-M

Metal bowl



MAF501-MD

Metal bowl + auto drain valve

