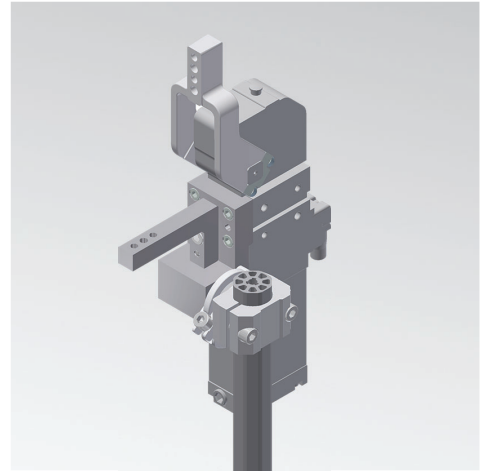
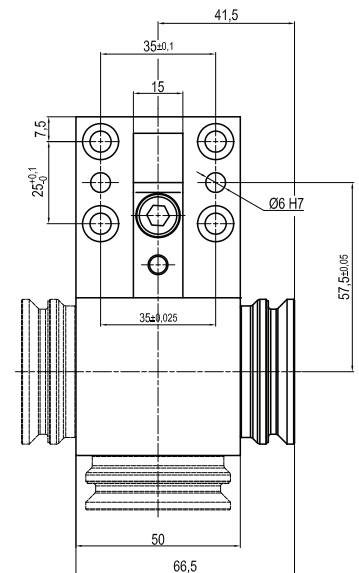
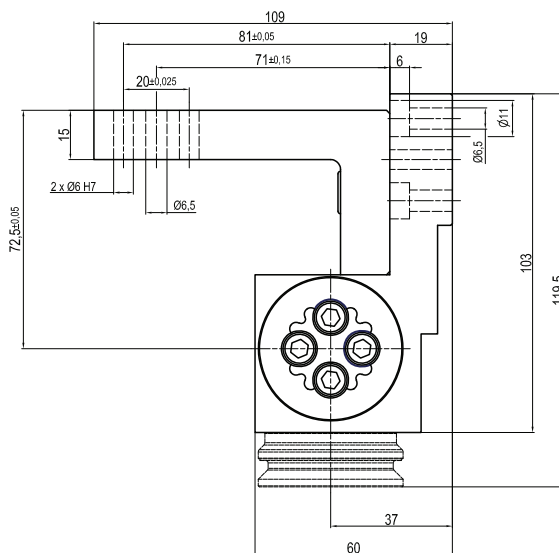
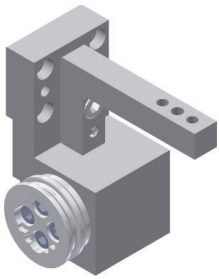


Front mount plates



GR8MF40D Front mount plate D for clamp size 40



	Tightening torque	Screw
GR8MF40D	25 Nm	M6x25 and M8x25

Material: Aluminium

Weight: 0,57 kg

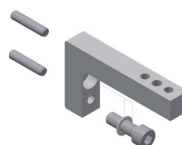
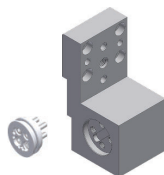
Max static load: 200 Nm

Composed of:

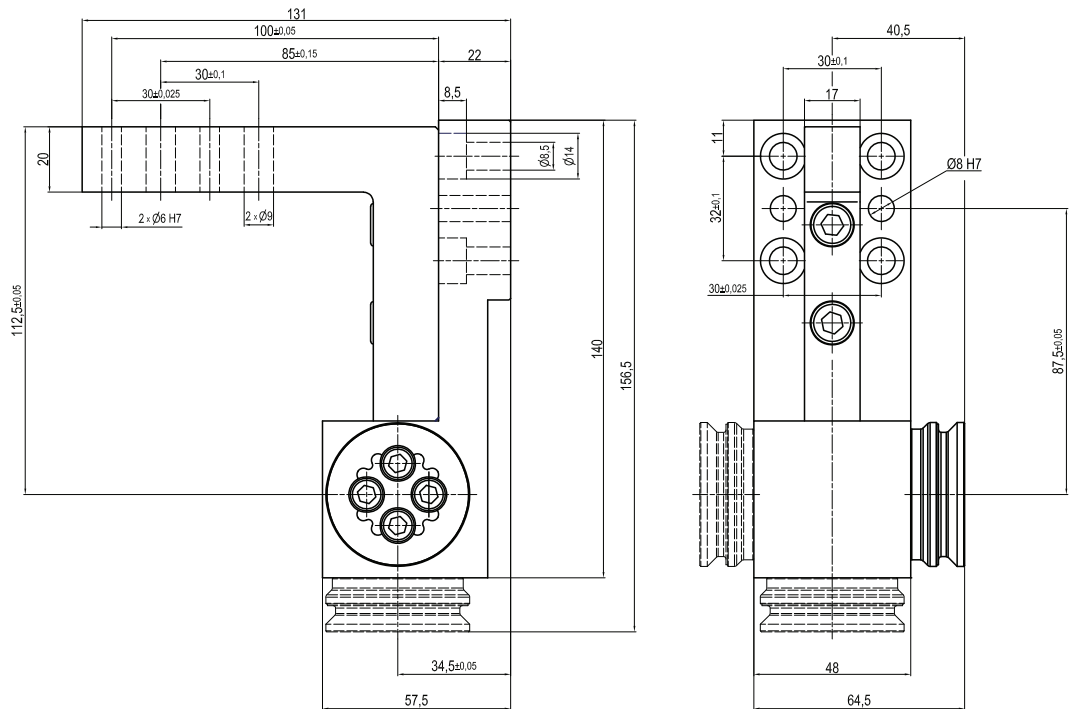
GR8RMF4050AD
Interlocking adapter

GR8MF40PD
Mount plate

GR8RMF40C
Mount flange angle



GR8MF50D Front mount plate D for clamp size 50/63



	Tightening torque	Screw
GR8MF50D	25 Nm	M6x25 and M8x25

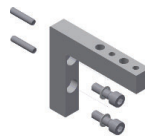
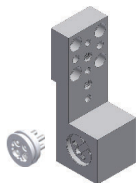
Material: Aluminium
Weight: 0,74 kg
Max static load: 200 Nm

Composed of:

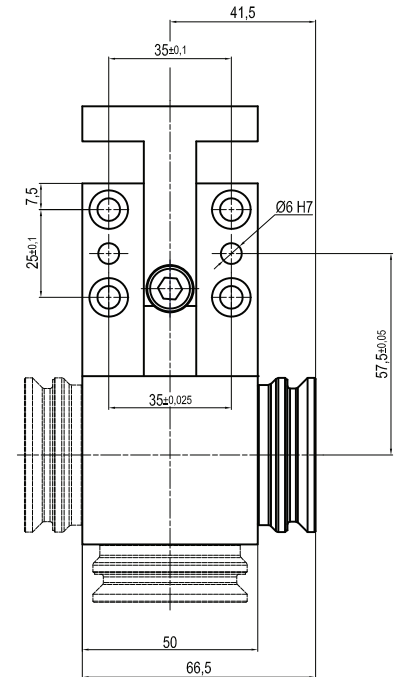
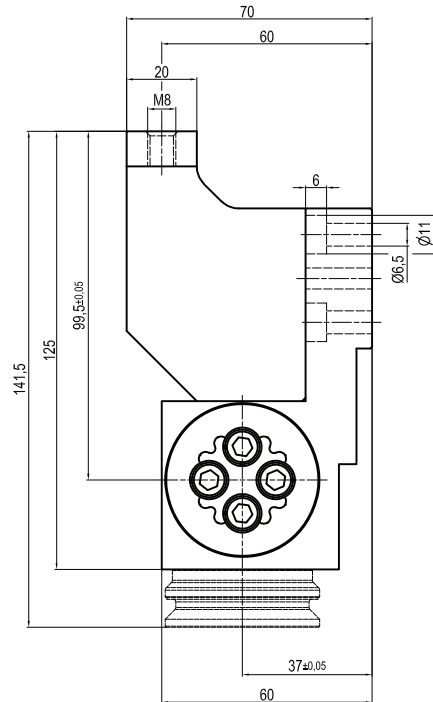
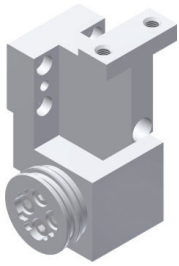
GR8RMF4050AD
Interlocking adapter

GR8MF50PD
Mount plate

GR8RMF50C
Mount flange angle



GR8MFGLD Front mount plate D for gripper unit



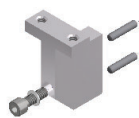
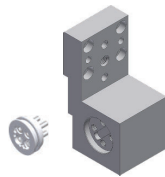
	Tightening torque	Screw
GR8MFGLD	25 Nm	M8x25 and M6x25
Material:	Aluminium	
Weight:	0,64 kg	
Max static load:	200 Nm	

Composed of:

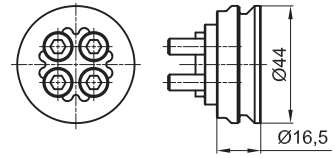
GR8RMF4050AD
Interlocking adapter

GR8MF40PD
Mount plate

GR8MFGLC
Counter mount

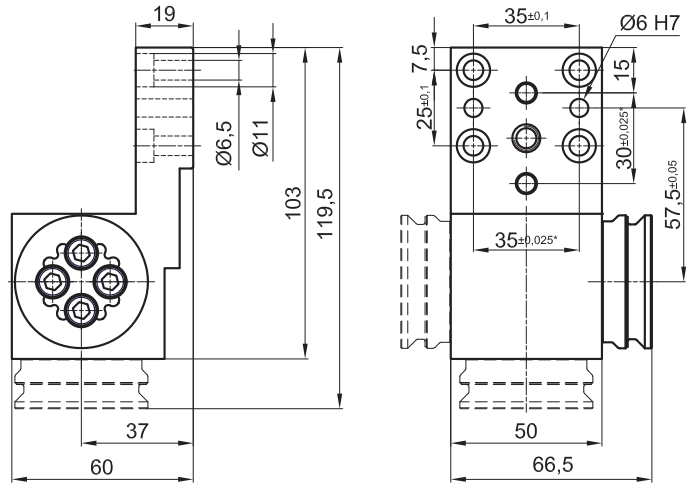
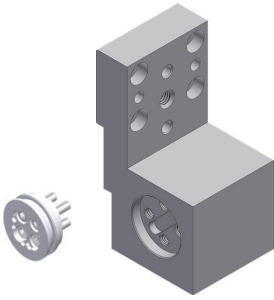


GR8RMF4050AD Interlocking adapter for GR8MF40D, GR8MF50D, GR8MFGLD



	Tightening torque	Screw
GR8RMF4050AD	25 Nm	M6x25
Material:	Aluminium	
Weight:	0,09 kg	
Max static load:	200 Nm	

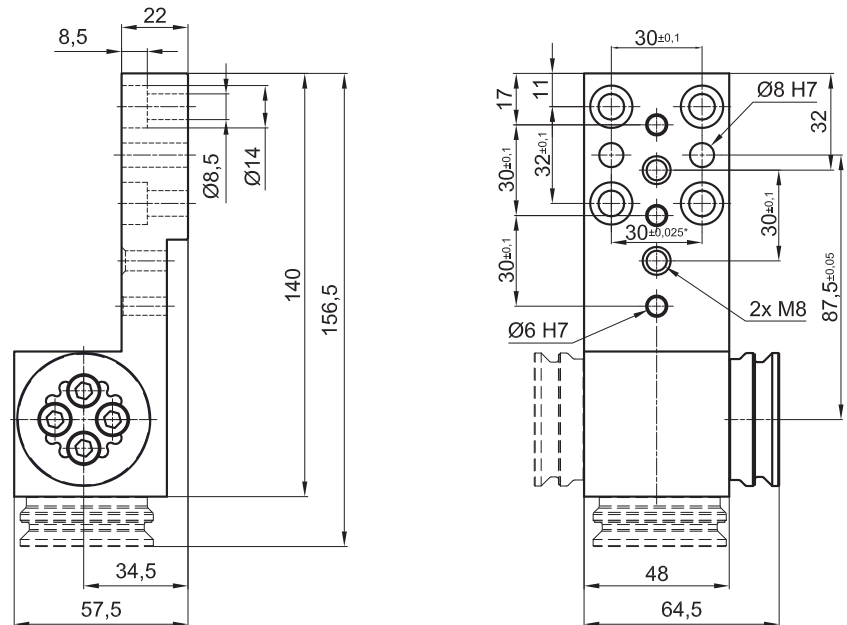
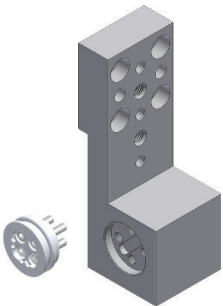
GR8MF40PD Mount plate for GR8MF40D and GR8MFGLD



	Tightening torque	Screw
GR8MF40PD	25 Nm	M6x25

Material:	Aluminium
Weight:	0,501 kg
Max static load:	200 Nm

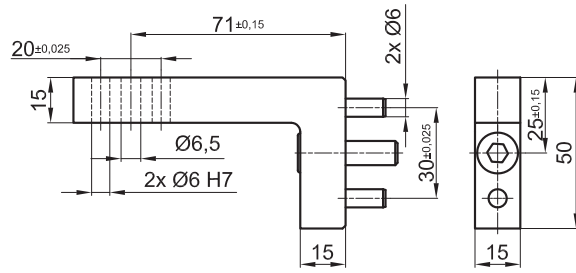
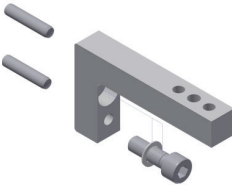
GR8MF50PD Mount plate for GR8MF50D



	Tightening torque	Screw
GR8MF50PD	25 Nm	M6x25

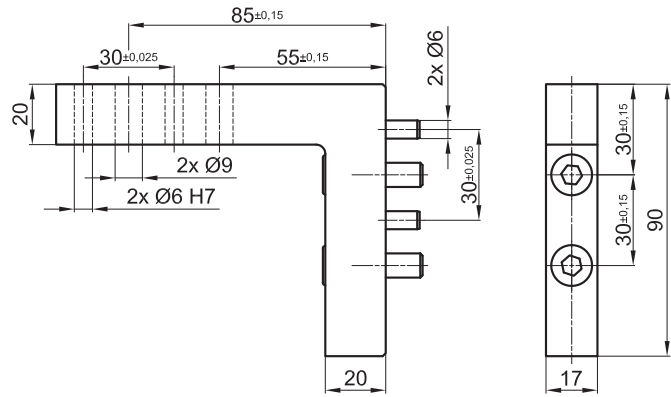
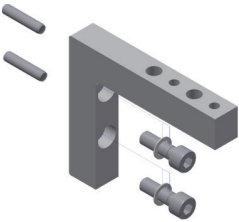
Material:	Aluminium
Weight:	0,55 kg
Max static load:	200 Nm

GR8RMF40C Mount flange for GR8MF40D



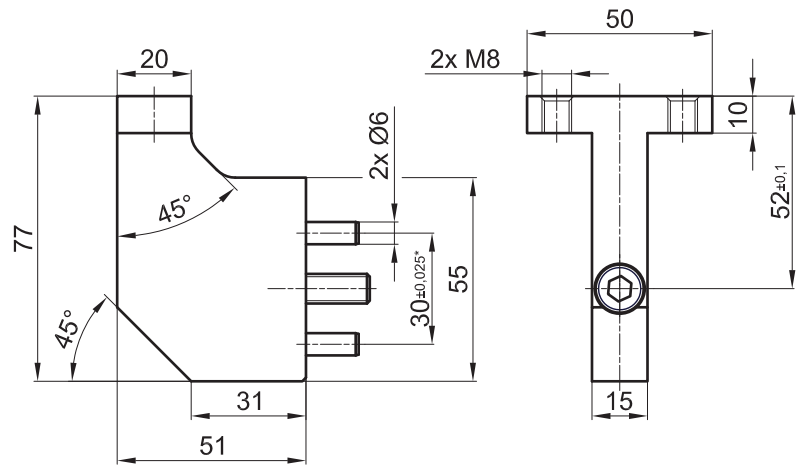
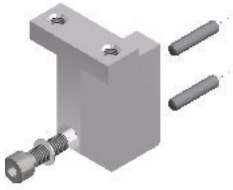
	Tightening torque	Screw
GR8RMF40C	25 Nm	M8x25
Material:	Aluminium	
Weight:	0,093 kg	

GR8RMF50C Mount flange angle for GR8MF50D



	Tightening torque	Screw
GR8RMF50C	25 Nm	M8x25
Material:	Aluminium	
Weight:	0,187 kg	

GR8MFGLC Counter mount for GR8MFGLD



	Tightening torque	Screw
GR8MFGLC	25 Nm	M8x25
Material:	Aluminium	
Weight:	0,149 kg	