

# P15E

15 mm COMPACT Valves  
G1/8 and for sub-base



# P15E

15 mm COMPACT Valves - G1/8 and for sub-base

## HIGH FLOW RATE

Flow rate higher than **800 NI/min**

## REDUCED DIMENSIONS

Body width **15 mm**

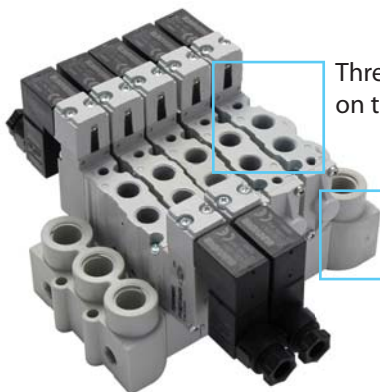
## COMPLETE SOLUTION

Versions available **5/2 - 5/3 - 3/2+3/2**



## P15EF

Threaded ports (G1/8)

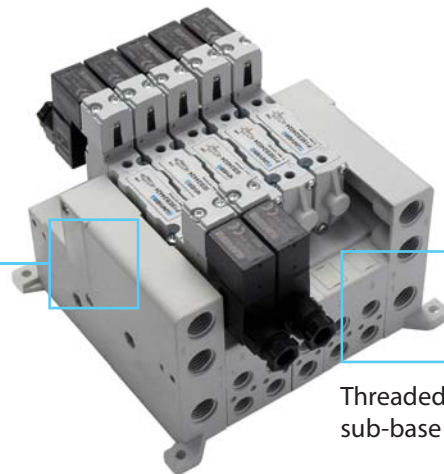


Threaded ports on the valve body

Self-extinguishing technopolymer bases

## P15EB

For sub-base (G1/8 - Tube 4-6-8)



Threaded ports on the sub-base

Pre-assembled sub-base

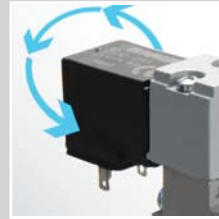


Pre-assembled sub-base





**Pilot 15 mm - A series**  
UNIVER Original



**Interchangeable coil**  
**U05 type**  
90° x 90° revolable  
12 - 24 V DC,  
24 - 48 - 110 - 230 V AC



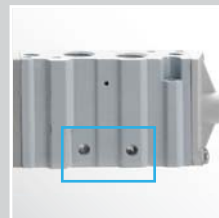
**Manual override (standard)**  
Monostable



**Manual override**  
**(upon request)**  
Monostable + 2 positions



**Sub-base mounting**  
Easy installation by means  
of 2 screws

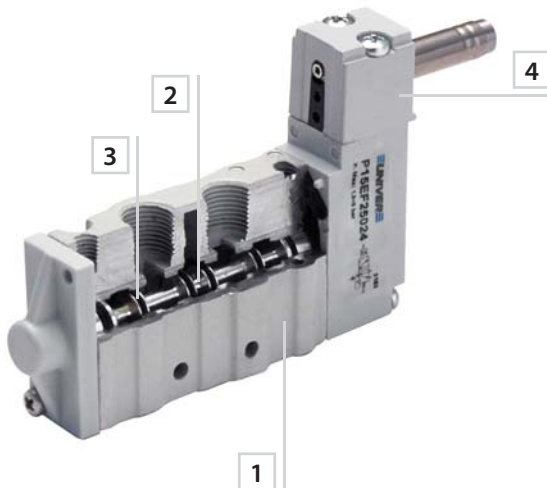


**Single mounting**  
Side holes on valve body



**DIN rail Adaptor**  
Easy installation and  
mounting

### Constructive characteristics



1. Metal body
2. Balanced spool system
3. Nitrile rubber seals
4. Pilot 15 mm - A series

# P15EF

15 mm COMPACT Distributors - Threaded body G1/8

- High flow rate
- Reduced dimensions
- Complete solution
- Interchangeable coil
- Single mounting and on sub-base
- Pre-assembled sub-base



## TECHNICAL CHARACTERISTICS

Ambiente temperature	-5 ÷ 50 °C
Fluid temperature	Max 50 °C
Fluid	10 µm filtered air, with or without lubrication
Commutation system	spool
Ways/Positions	5/2 - 5/3 - 3/2+3/2
Pressure Max	9 bar
Control	indirect electro - pneumatic, pneumatic
Return	mechanical spring, pneumomechanical spring
Connections	G1/8
Nominal flow rate (NI/min)	800 (5/2) 720 (5/3) 720 (3/2+3/2)

## CONSTRUCTIVE CHARACTERISTICS

Valve body	zamak
Seals	nitrile rubber
Sub-bases and operators	technopolymer
Spool	aluminum

## ELECTRICAL CHARACTERISTICS

Electropilot	A series (15 mm) DC/AC
Coil	U05 series
Voltage	12 V DC - 24 V DC - 24 V AC - 48 V AC - 110 V AC - 230 V AC
Power consumption	2 W (DC) 2,3 VA (AC)
Protection degree	IP65
Manual override	impulse screw - 1-2 positions

## CODIFICATION KEY

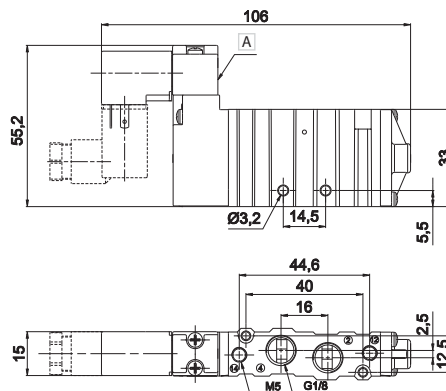
P	1	5	E	F	2	5	5	2	4	
	1				2	3	4	5		6

1 Series	2 Type	3 Control 14
<b>P15EF</b> = COMPACT Valves Threaded body G1/8 A series electropilot (15 mm)	2 = 5/2 3 = 5/3 c.c. 4 = 5/3 o.c. 5 = 5/3 p.c. 6 = 3/2+3/2 NC-NC 7 = 3/2+3/2 NC-NO 8 = 3/2+3/2 NO-NO	5 = Electrical amplified 15 mm

4 Return 12	5 Voltage	6 Option
0 = Pneumomechanical spring 1 = Mechanical spring 5 = Electrical amplified 15 mm	12 = 12 V DC 48 = 48 V AC 24 = 24 V DC 11 = 110 V AC 34 = 24 V AC 23 = 230 V AC	C = 2-positions manual override (upon request) D = External pilot supply

c.c. = closed centres o.c. = open centres p.c. = pressurized centres

Single electrical impulse

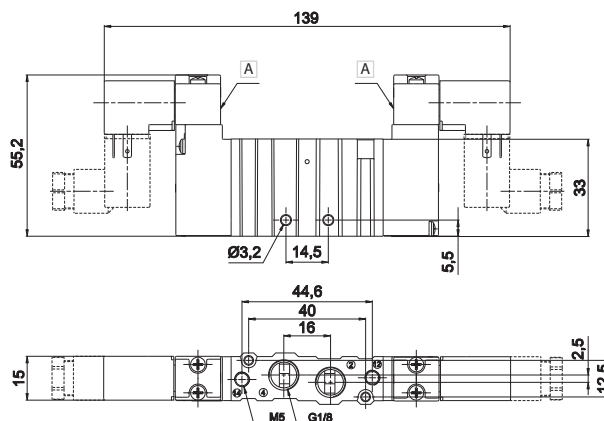


A Manual override

2 - 4 = Use  
14 = Control  
12 = Return

Symbol	Type	Control	Return	Pressure bar	Time (ms)		Weight Kg	Part No.
					En.	De.En		
	5/2	electrical amplified	pneumomechanical spring	1,5÷9	15	24	0,164	P15EF250**
	5/2	electrical amplified	mechanical spring	1,9÷9	12	21	0,164	P15EF251**

Double electric impulse



A Manual override

2 - 4 = Use  
14 = Control  
12 = Return

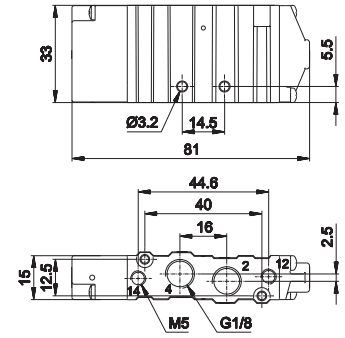
Symbol	Type	Control	Return	Pressure bar	Time (ms)		Weight Kg	Part No.
					En.	De.En		
	5/2	electrical amplified	electrical amplified	1,5÷9	16	16	0,210	P15EF255**
	5/3 c.c.	electrical amplified	electrical amplified	1,9÷9	11	35	0,210	P15EF355**
	5/3 o.c.	electrical amplified	electrical amplified	1,9÷9	11	35	0,210	P15EF455**
	5/3 p.c.	electrical amplified	electrical amplified	1,9÷9	11	35	0,210	P15EF555**
	3/2 NC + 3/2 NC	electrical amplified	electrical amplified	1,5÷9	14	16	0,210	P15EF655**
	3/2 NC + 3/2 NO	electrical amplified	electrical amplified	1,9÷9	14	16	0,210	P15EF755**
	3/2 NO + 3/2 NO	electrical amplified	electrical amplified	1,9÷9	14	16	0,210	P15EF855**

o.c. = open centres c.c. = closed centres p.c. = pressurized centres

\*\* = Voltage 12 V DC - 24 V DC - 24 V AC - 48 V AC - 110 V AC - 230 V AC (Example: P15EF25024)

Solenoid valves supplied with coils, without connectors

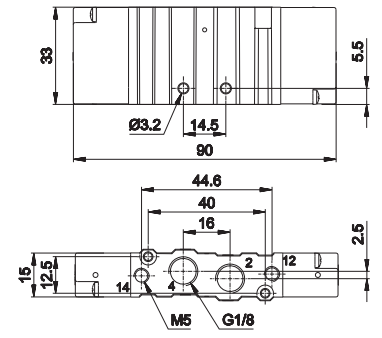
Single pneumatic impulse



2 - 4 = Use  
14 = Control  
12 = Return

Symbol	Type	Control	Return	Pressure bar	Time (ms)		Weight Kg	Part No.
					En.	De.En.		
	5/2	pneumatic amplified	pneumomechanical spring	1,9÷10	11	15	0,042	P15F230
	5/2	pneumatic amplified	mechanical spring	2÷10	10	14	0,042	P15F231

Double pneumatic impulse



2 - 4 = Use  
14 = Control  
12 = Return

Symbol	Type	Control	Return	Pressure bar	Time (ms)		Weight Kg	Part No.
					En.	De.En.		
	5/2	pneumatic amplified	pneumatic amplified	0,7÷10	10	10	0,044	P15F233
	5/3 c.c.	pneumatic amplified	pneumatic amplified	1,6÷10	9	21	0,044	P15F333
	5/3 o.c.	pneumatic amplified	pneumatic amplified	1,6÷10	9	21	0,044	P15F433
	5/3 p.c.	pneumatic amplified	pneumatic amplified	1,6÷10	9	21	0,044	P15F533
	3/2 NC + 3/2 NC	pneumatic amplified	pneumatic amplified	1,3÷10	10	14	0,044	P15F633
	3/2 NC + 3/2 NO	pneumatic amplified	pneumatic amplified	1,3÷10	10	14	0,044	P15F733
	3/2 NO + 3/2 NO	pneumatic amplified	pneumatic amplified	1,3÷10	10	14	0,044	P15F833

o.c. = open centres   c.c. = closed centres   p.c. = pressurized centres

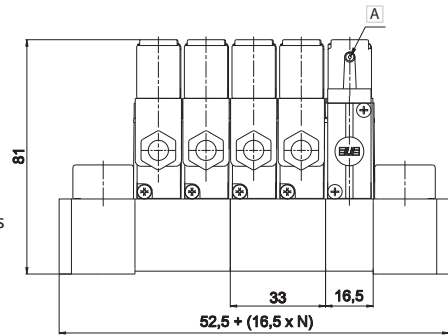
Electrical connection with external connector



- 1 = Supply port
- 2 - 4 = Use
- 3 - 5 = Exhaust
- 14 = Control
- 12 = Return

N = Number of valve places

A Manual override



DIN C (8 mm)  
Available upon request



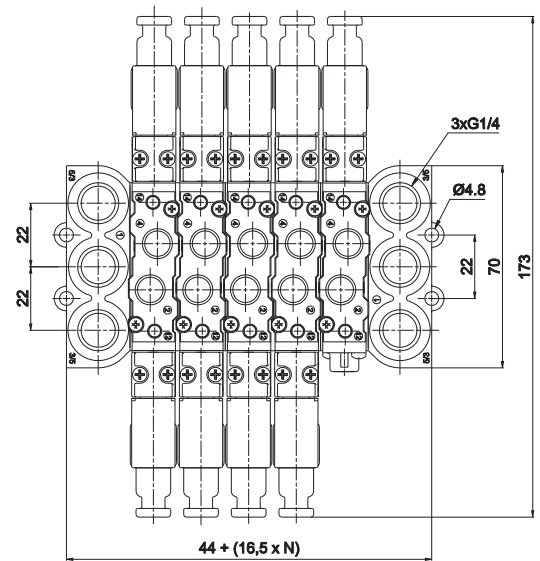
DIN rail adaptor

For further information please contact our Sales Office.

Pre-assembled sub-base

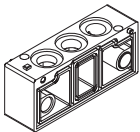


Part No.	Positions
P15SF499-02	2
P15SF499-03	3
P15SF499-04	4
P15SF499-05	5
P15SF499-06	6
P15SF499-07	7
P15SF499-08	8
P15SF499-09	9
P15SF499-10	10

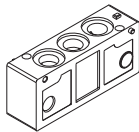


Pre-assembled sub-bases include seals and screws for valve assembly

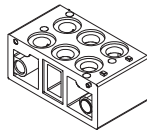
P15SF300 P15SF310 P15SF400 P15SF410 P15SF515 P15SF550 P15SF560



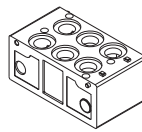
sub-base 1 place



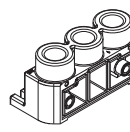
sub-base 1 place  
1-3-5 closed



sub-base 2 places



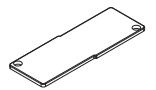
sub-base 2 places  
1-3-5 closed



right/left supply plate  
G1/4

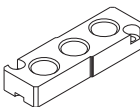


pressure separator



closing plate for  
unused valve place

P15SF570 P15STR01 P15STR02 P15STR05



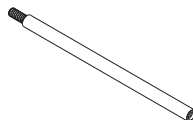
intermediate supply plate  
for threaded version



modular tie rods  
1 valve place  
(min. batch 100 pcs.)



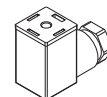
modular tie rods  
2 valve places  
(min. batch 100 pcs.)



modular tie rods  
5 valve places  
(min. batch 100 pcs.)

Electrical connections

15 mm connector  
**AM-5109**



**AZ4-SN004A** nr. 100 nuts M4 for tie-rods

**AZ4-VN0414** nr. 100 screws M4x14 for tie-rods

# P15EB

15 mm COMPACT Distributors - for sub-base mounting

- High flow rate
- Reduced dimensions
- Complete solution
- Interchangeable coil
- Single mounting and on sub-base
- Pre-assembled sub-base



## TECHNICAL CHARACTERISTICS

Ambiente temperature	-5 ÷ 50 °C
Fluid temperature	Max 50 °C
Fluid	10 µm filtered air, with or without lubrication
Commutation system	spool
Ways/Positions	5/2 - 5/3 - 3/2+3/2
Pressure Max	9 bar
Control	indirect electro - pneumatic, pneumatic
Return	mechanical spring, pneumomechanical spring
Connections	G1/8
Nominal flow rate (NI/min)	800 (5/2) 720 (5/3) 720 (3/2+3/2)

## CONSTRUCTIVE CHARACTERISTICS

Valve body	zamak
Seals	nitrile rubber
Sub-bases and operators	technopolymer
Spool	aluminum

## ELECTRICAL CHARACTERISTICS

Electropilot	A series (15 mm) DC/AC
Coil	U05 series
Voltage	12 V DC - 24 V DC - 24 V AC - 48 V AC - 110 V AC - 230 V AC
Power consumption	2 W (DC) 2,3 VA (AC)
Protection degree	IP65
Manual override	impulse screw - 1-2 positions

## CODIFICATION KEY

P	1	5	E	B	2	5	5	2	4	
	1				2	3	4	5		6

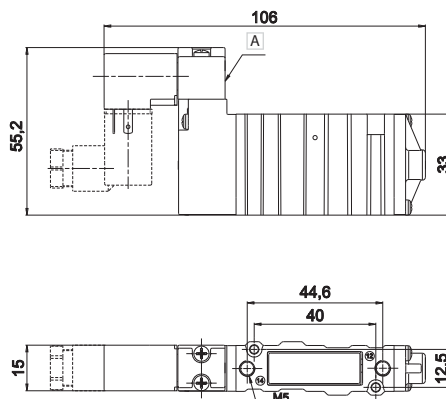
1 Series	2 Type	3 Control 14
<b>P15EB</b> = COMPACT valves for sub-base mounting A series electropilot (15 mm)	2 = 5/2 3 = 5/3 c.c. 4 = 5/3 o.c. 5 = 5/3 p.c. 6 = 3/2+3/2 NC-NC 7 = 3/2+3/2 NC-NO 8 = 3/2+3/2 NO-NO	5 = Electrical amplified 15 mm

4 Return 12	5 Voltage	6 Option
0 = Pneumomechanical spring 1 = Mechanical spring 5 = Electrical amplified 15 mm	12 = 12 V DC 48 = 48 V AC 24 = 24 V DC 11 = 110 V AC 34 = 24 V AC 23 = 230 V AC	C = 2-positions (upon request) D = External pilot supply

c.c. = closed centres o.c. = open centres p.c. = pressurized centres



Single electrical impulse

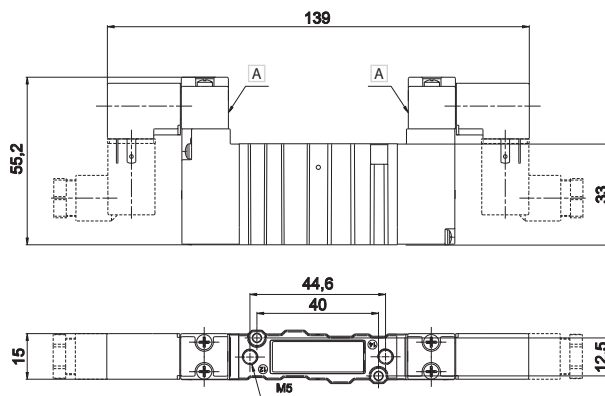


A Manual override

14 = Control  
12 = Return

Symbol	Type	Control	Return	Pressure bar	Time (ms)		Weight Kg	Part No.
					En.	De.En.		
	5/2	electrical amplified	pneumomechanical spring	1,5÷9	15	24	0,164	P15EB250**
	5/2	electrical amplified	mechanical spring	1,9÷9	12	21	0,164	P15EB251**

Double electrical impulse



A Manual override

14 = Control  
12 = Return

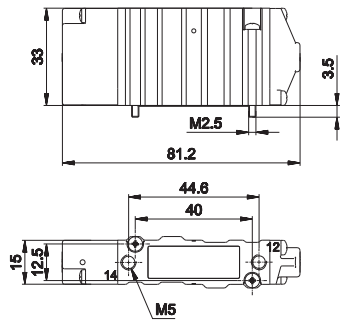
Symbol	Type	Control	Return	Pressure bar	Time (ms)		Weight Kg	Part No.
					En.	De.En.		
	5/2	electrical amplified	electrical amplified	1,5÷9	16	16	0,210	P15EB255**
	5/3 c.c.	electrical amplified	electrical amplified	1,9÷9	11	35	0,210	P15EB355**
	5/3 o.c.	electrical amplified	electrical amplified	1,9÷9	11	35	0,210	P15EB455**
	5/3 p.c.	electrical amplified	electrical amplified	1,9÷9	11	35	0,210	P15EB555**
	3/2 NC + 3/2 NC	electrical amplified	electrical amplified	1,5÷9	14	16	0,210	P15EB655**
	3/2 NC + 3/2 NO	electrical amplified	electrical amplified	1,9÷9	14	16	0,210	P15EB755**
	3/2 NO + 3/2 NO	electrical amplified	electrical amplified	1,9÷9	14	16	0,210	P15EB855**

c.c. = closed centres o.c. = open centres p.c. = pressurized centres

\*\* = Voltage 12 V DC - 24 V DC - 24 V AC - 48 V AC - 110 V AC - 230 V AC (Example: P15EF25024)

Solenoid valves supplied with coils, without connectors

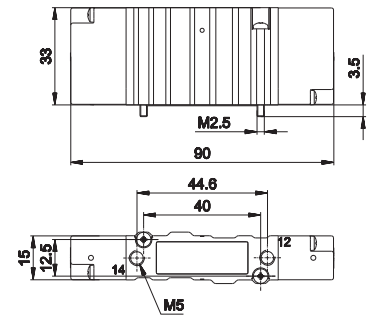
Single pneumatic impulse



14 = Control  
12 = Return

Symbol	Type	Control	Return	Pressure bar	Time (ms)		Weight Kg	Part No.
					En.	De.En.		
	5/2	pneumatic amplified	pneumomechanical spring	1,9÷9	11	15	0,127	P15B230
	5/2	pneumatic amplified	mechanical spring	2÷9	10	14	0,127	P15B231

Double pneumatic impulse



14 = Control  
12 = Return

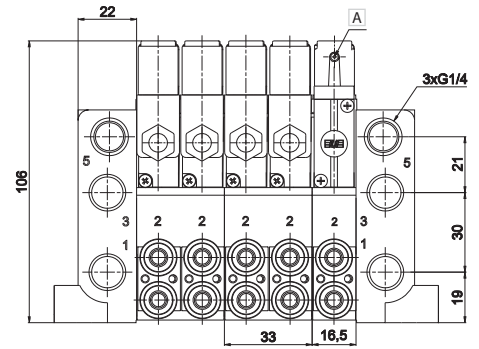
Symbol	Type	Control	Return	Pressure bar	Time (ms)		Weight Kg	Part No.
					En.	De.En.		
	5/2	pneumatic amplified	pneumatic amplified	0,7÷9	10	10	0,132	P15B233
	5/3 c.c.	pneumatic amplified	pneumatic amplified	1,6÷9	9	21	0,132	P15B333
	5/3 o.c.	pneumatic amplified	pneumatic amplified	1,6÷9	9	21	0,132	P15B433
	5/3 p.c.	pneumatic amplified	pneumatic amplified	1,6÷9	9	21	0,132	P15B533
	3/2 NC + 3/2 NC	pneumatic amplified	pneumatic amplified	1,3÷9	10	14	0,132	P15B633
	3/2 NC + 3/2 NO	pneumatic amplified	pneumatic amplified	1,3÷9	10	14	0,132	P15B733
	3/2 NO + 3/2 NO	pneumatic amplified	pneumatic amplified	1,3÷9	10	14	0,132	P15B833

c.c. = closed centres o.c. = open centres p.c. = pressurized centres

Electrical connection with external connector



- 1 = Supply port
  - 2 - 4 = Use
  - 3 - 5 = Exhaust
  - 14 = Control
  - 12 = Return
- N = Number of valve places
- A Manual override



DIN C (8 mm)  
Available upon request



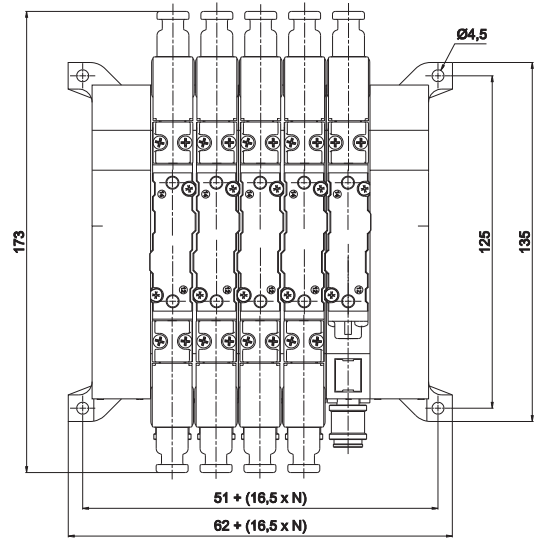
DIN rail adaptor

For further information please contact our Sales Office.

Pre-assembled sub-base



Part No.	Positions
P15SB499-02	2
P15SB499-03	3
P15SB499-04	4
P15SB499-05	5
P15SB499-06	6
P15SB499-07	7
P15SB499-08	8
P15SB499-09	9
P15SB499-10	10



Pre-assembled sub-bases include seals and screws for valve assembly

P15SB100	P15SB110	P15SB200	P15SB210	P15SB300	P15SB310	P15SB400
sub-base 1 place side outlets G1/8 integrated version	sub-base 1 place side outlets G1/8 integrated version 1-3-5 closed	sub-base 2 places side outlets G1/8	sub-base 2 places side outlets G1/8 integrated version 1-3-5 closed	sub-base 1 place side outlets for push-in fittings integrated version	sub-base 1 place side outlets for push-in fittings 1-3-5 closed	sub-base 2 places side outlets for push-in fittings integrated version
P15SB410	P15SB504	P15SB505	P15SB550	P15SB560	P15SB570	
sub-base 2 places side outlets for push-in fittings 1-3-5 closed	left supply plate G1/4	right supply plate G1/4	pressure separator	closing plate for unused valve place	intermediate supply plate for sub-base	
P15STR01	P15STR02	P15STR05	GZR-V10004/06/08			Electrical connections
modular tie-rods 1 valve place (min. batch 100 pcs.)	modular tie-rods 2 valve places (min. batch 100 pcs.)	modular tie-rods 5 valve places (min. batch 100 pcs.)	straight fitting GZR-V10004 = tube Ø4 mm GZR-V10006 = tube Ø6 mm GZR-V10008 = tube Ø8 mm			15 mm connector <b>AM-5109</b>

- AZ4-SN004A nr. 100 nuts M4 for tie-rods
- AZ4-VN0414 nr. 100 screws M4x14 for tie-rods



## UNIVER S.p.A.

### Headquarters

I - 20128 **Milano**  
Via Eraclito, 31  
Tel. +39 02 25298.1  
Fax +39 02 2575254  
info@univer-group.com

### Univer Service S.r.l.

I - 20128 **Milano**  
Via Empedocle, 20  
Tel. +39 02 25298.1  
Fax +39 02 25298370  
universervice@universervice.it  
www.universervice.it

### Branch Offices

#### LOMBARDIA

I - 20128 **Milano**  
Via Empedocle, 20  
Tel. +39 02 25298.1  
Fax +39 02 25298370  
universervice@universervice.it

I - 24060 Castelli Calepio **Bergamo**  
Via C. Curotti, 31/33  
Tel. +39 030 7435420  
Fax +39 030 733328  
castellicalepio@universervice.it

#### PIEMONTE / LIGURIA / VALLE D'AOSTA

I - 10071 Borgaro Torinese **Torino**  
Via Veneto, 18  
Tel. +39 011 4501871  
Fax +39 011 4502898  
torino@universervice.it

#### VENETO / FRIULI VENEZIA-GIULIA TRENTINO-ALTO ADIGE

I - 30030 Vigonovo **Venezia**  
Via Prima strada 16/A - Loc. Galta  
Tel. +39 049 9834140  
Fax +39 049 9833972  
vigonovo@universervice.it

#### EMILIA ROMAGNA

I - 40069 Zola Predosa **Bologna**  
Via Guido Rossa, 21  
Tel. +39 051 753907  
Fax +39 051 6184751  
bologna@universervice.it

#### CENTRO / SUD

I - 40069 Zola Predosa **Bologna**  
Via Guido Rossa, 21  
Tel. +39 051 753907  
Fax +39 051 6184751  
bologna@universervice.it

### Univer in the world

#### UNIVER Pty Ltd

**AUSTRALIA** - 3175 **Victoria**  
Nicole Way Dandenong, 11  
Tel. +61 3 97930377  
Fax +61 3 97930399  
sales@univer.net.au

#### UNIVER do Brasil S/A

**BRASIL** - 83055-320  
**São José dos Pinhais** - Paraná  
Av. Rui Barbosa, 3005  
Tel. +55 41 33824606  
Fax +55 41 33824807  
univerbrasil@univer.com.br

#### UNIVER OY

**FINLAND** - 15200 **Lahti**  
Hirsimetsäntie, 9  
Tel. +358 207 491400  
Fax +358 207 491401  
sales@univer.fi

#### UNIVER FRANCE S.a.s.

**FRANCE** - 68000 **Colmar**  
1, rue Denis Papin  
Tel. +33 03 89210900  
Fax +33 03 89216850  
info@univer-france.fr

#### UNIVER G.m.b.H.

**GERMANY** - 53859 **Niederkassel**  
Marktstraße 114  
Tel. +49 2208 90900  
Fax +49 2208 909040  
info@univer-gmbh.de

#### UNIVER Manuf. Company Ltd.

**UNITED KINGDOM** - **Bradford**  
Station Road - West Yorkshire BD14SF  
Tel. +44 1274 725777  
Fax +44 1274 725111  
enquiries@univer.co.uk

#### UNIVER S.L.

**SPAIN** - 08210 **Barbera Del Valles**  
Barcelona - Ronda Industria, 26 - 28  
Tel. +34 93 7297360  
Fax +34 93 7297380  
univer@univerweb.com

#### UNIVER SWEDEN AB

**SWEDEN** - 44361 **Stenkullen**  
Hedeforsvägen, 2  
Tel. +46 302 23060  
Fax +46 302 22864  
info@univer.se

#### UNIVER AG

**SWITZERLAND** - 6312 **Steinhausen**  
Postfach - Sumpfstrasse, 26  
Tel. +41 41 7417580  
Fax +41 41 7417280  
mail@univer-ag.ch

#### Distributors worldwide:

Get in touch with UNIVER Sales Department  
or visit our website [www.univer-group.com](http://www.univer-group.com)



[www.univer-group.com](http://www.univer-group.com)