



Table for standard stroke

Tube I.D.	Stroke (inch)	Long stroke (inch)	Max. stroke (inch)
20: 3/4"	1, 2, 3, 4, 5, 6, 8	8.01~14	48
25: 1"		12.01~16	
32: 1 1/4"		12.01~18	
40: 1 1/2"		12.01~32	
50: 2"		12.01~48	19
63: 2 1/2"	12.01~19		

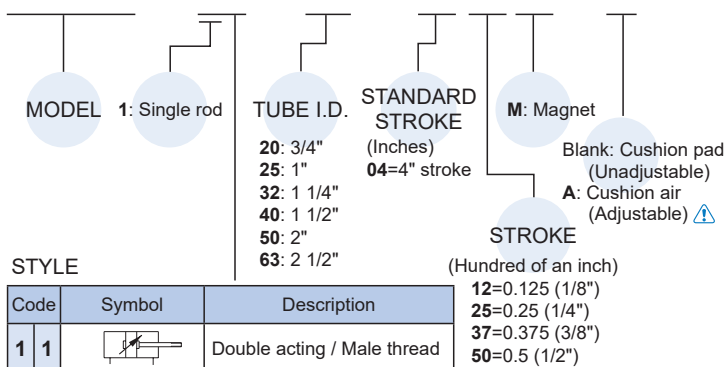
* Intermediate stroke are available, please contact us.

Specification

Model	MCCN						
Acting type	Double acting						
Tube I.D. (inch)	3/4"	1"	1 1/4"	1 1/2"	2"	2 1/2"	
Port size	NPT1/8				NPT1/4		
Medium	Air						
Max. operating perssure	1 MPa						
Min. operating perssure	0.05 MPa						
Proof pressure	1.5 MPa						
Lubrication	Not required						
Ambient temperature	-5~+60°C (No freezing)						
Available speed range	50~500 mm/sec						
Max. allowable kinetic energy (J)	Cushion pad	0.07	0.10	0.17	0.3	0.5	0.85
	Cushion air	0.09	0.14	0.23	0.45	0.85	1.23
Sensor switch	RCM (Please refer to page 8-16)						
Sensor switch band	BMG20	BMG25	BMG32	BMG40	BMG50	BMG63	

Order example

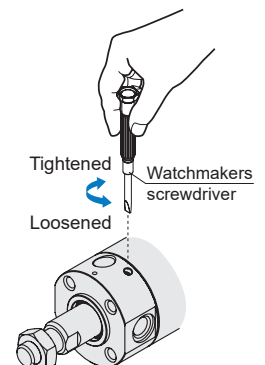
MCCN – 11 – 40 – 0425M – A



Caution

For (A) Cushion air (Adjustable)

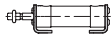
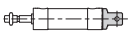
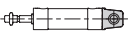
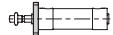
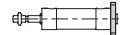
- To adjust a cushion needle, please slowly turn the needle valve from the fully closed status to the required status which needs to be within 2.5 turns.
- If the needle valve loosen excessively, the buffer doesn't take effect and the lifetime of cylinder would be shortened.


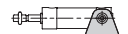
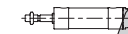




* Order example for special specification, refer to page 0-7.

* Order example for component parts and repair kits, refer to page 3-84.

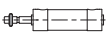
■ Mounting accessories


Accessories					
Code	LB (Purchase 2 pcs)	CA	CB	FAC	FBC
Mounting Tube I.D.					
20: 3/4"	LB-C2-20	CA-C2-20	CB-C2-20	FAC-C2-20	
25: 1"	LB-C2-25	CA-C2-25	CB-C2-25	FAC-C2-25	
32: 1 1/4"	LB-C2-32	CA-C2-32	CB-C2-32	FAC-C2-32	
40: 1 1/2"	LB-C2-40	CA-C2-40	CB-C2-40	FAC-C2-40	
50: 2"	LB-C2-50	CA-C2-50	CB-C2-50	FAC-C2-50	
63: 2 1/2"	LB-C2-63	CA-C2-63	CB-C2-63	FAC-C2-63	

Accessories					
Code	SDB-R* ¹ (with TA)	SDB-H* ¹ (with TB)	CB+SDB+PIN* ¹ (with Pin)	TA (Front trunnion)	TB (Rear trunnion)
Mounting Tube I.D.					
20: 3/4"	SDB-C1-20		CB+SDB+PIN-C2-20	TA-C1-20	
25: 1"	SDB-C1-25		CB+SDB+PIN-C2-25	TA-C1-25	
32: 1 1/4"	SDB-C1-32		CB+SDB+PIN-C2-32	TA-C1-32	
40: 1 1/2"	SDB-C1-40		CB+SDB+PIN-C2-40	TA-C1-40	
50: 2"	SDB-C1-50		CB+SDB+PIN-C2-50	TA-C1-50	
63: 2 1/2"	SDB-C1-63		CB+SDB+PIN-C2-63	TA-C1-63	

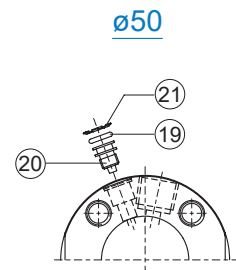
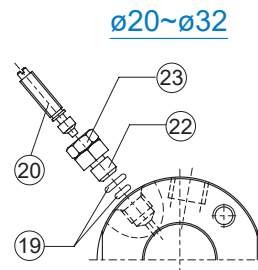
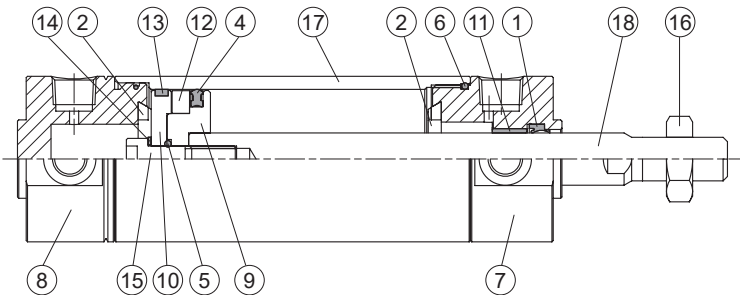
1. Mounting procedures please refer to page 3-90.

■ Pin

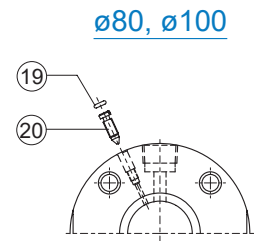
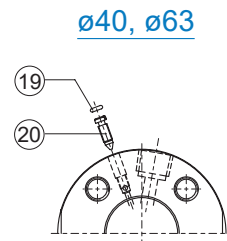
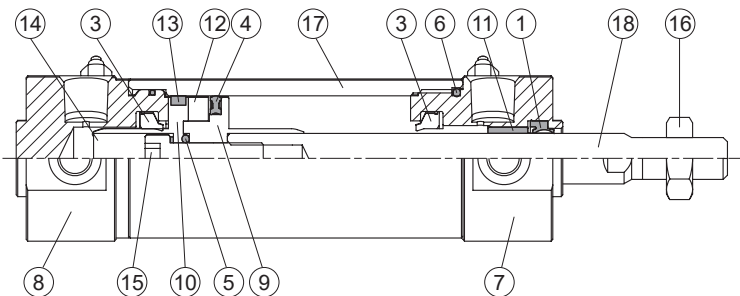
Rod nut	
Code	NUT
Mounting Tube I.D.	
20: 3/4"	NUT-1/4-28UNFx0.16Hx0.44B
25: 1"	NUT-5/16-24UNFx0.19Hx0.5B
32: 1 1/4"	NUT-7/16-20UNFx0.26Hx0.69B
40: 1 1/2"	
50: 2"	NUT-1/2-20UNFx0.32Hx0.75B
63: 2 1/2"	

Applicable CB accessories	
Code	PIN-CB-P (With snap ring)
Fig Tube I.D.	
20: 3/4"	PIN-C1-20-1-P
25: 1"	PIN-C1-25-1-P
32: 1 1/4"	PIN-C1-32-1-P
40: 1 1/2"	PIN-C1-40-1-P
50: 2"	PIN-C1-50-1-P
63: 2 1/2"	PIN-C1-63-1-P

Cushion pad Unadjustable



Cushion air Adjustable



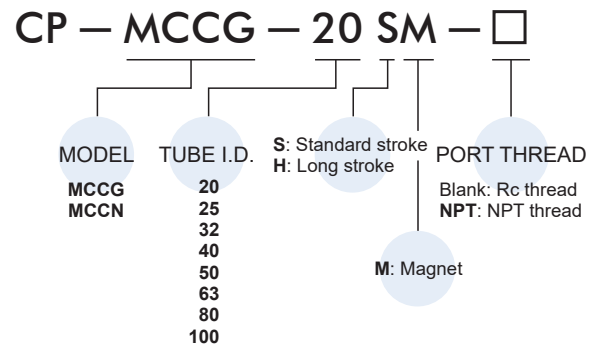
Material

A: Component parts, B: Repair kits

No.	Cushion		Part name	Material	Q'y	A	B	Note
	Pad	Air				(inclusion)		
1	●	●	Rod packing	NBR	1	●	●	
2	●	●	Cushion pad	NBR	2	●	●	
3	●	●	Cushion pad	NBR	2	●	●	
4	●	●	Piston packing	NBR	1	●	●	
5	●	●	O-ring	NBR	1	●	●	
6	●	●	O-ring	NBR	1 or 2	●	●	$\phi 50 \sim 100$ (Q'y=2)
7	●	●	Rod cover	Aluminum alloy	1	●		
8	●	●	Head cover	Aluminum alloy	1	●		
9	●	●	Piston-R	Aluminum alloy	1	●		
10	●	●	Piston-H	Aluminum alloy	1	●		
11	●	●	Bush	Bearing alloy	1	●		
12	●	●	Magnet ring	Magnet material	1	◎		◎ Option
			Spacer ring	Aluminum alloy	1	●		for $\phi 20 \sim \phi 32$
13	●	●	Wear ring	Resin	1	●		
14	●	●	Washer	Carbon steel	1	●		$\phi 20$ without
15	●	●	Piston bolt	Carbon steel	1	●		
16	●	●	Nut	Carbon steel	1	●		
17	●	●	Cylinder tube	Aluminum alloy	1			
18	●	●	Piston rod	Carbon steel	1			$\phi 20 \sim 25$ stainless steel
19	●	●	O-ring	NBR	4 or 2			$\phi 40 \sim 80$ (Q'y=2)
20	●	●	Needle valve	Stainless steel	2			*1
21	●	●	Needle valve packing	Carbon steel	2			only for $\phi 50$
22	●	●	Needle valve fixed nut	Stainless steel	2			only for $\phi 20 \sim 32$
23	●	●	Hex nut	Carbon steel	2			only for $\phi 20 \sim 32$

*1. $\phi 50$: Copper, $\phi 63 \sim 100$: Carbon steel

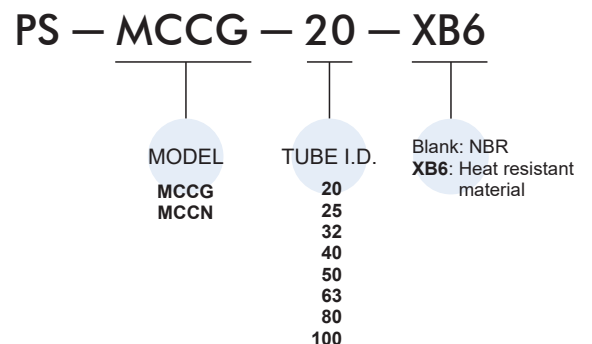
Order example of component parts

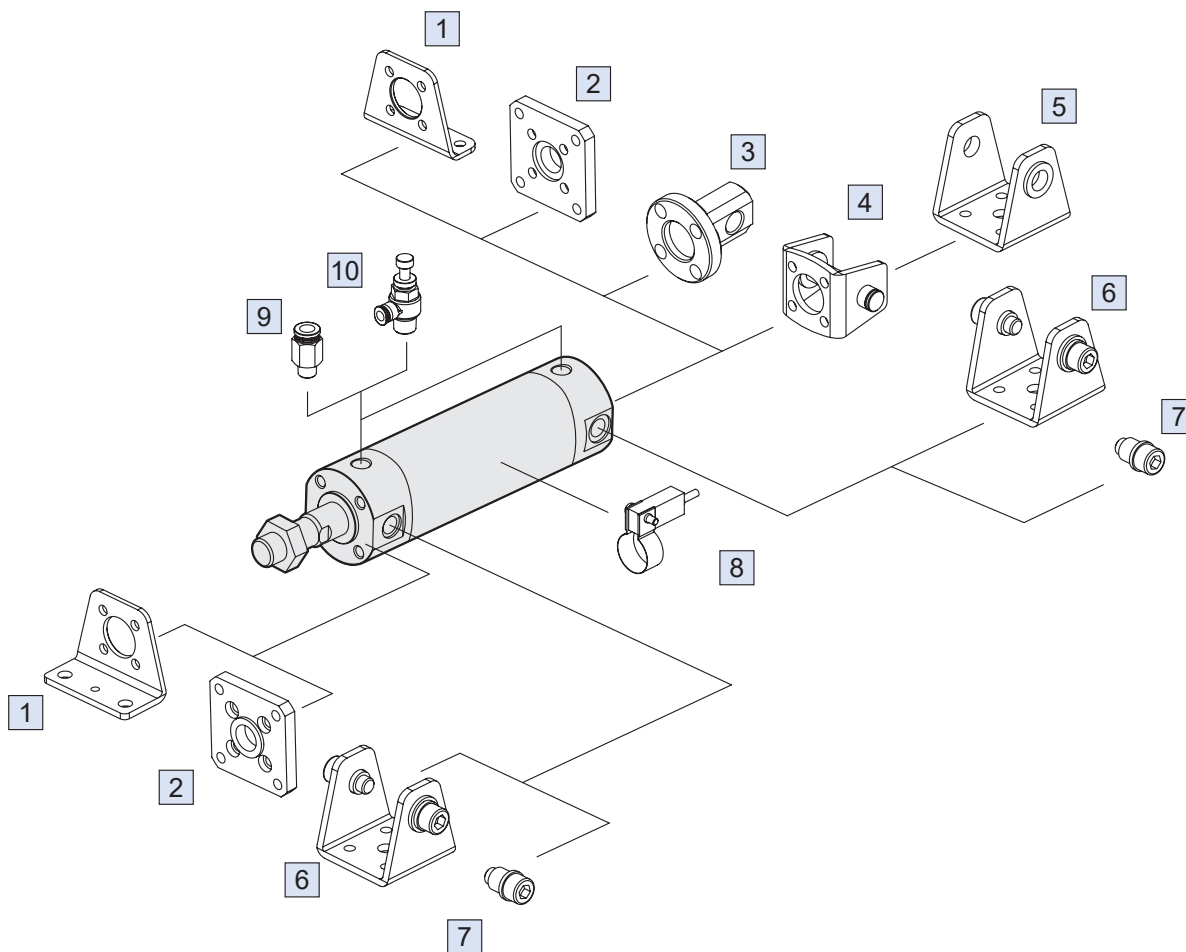


* MCCN only be used for NPT.

* Order example for G thread, please consult us.

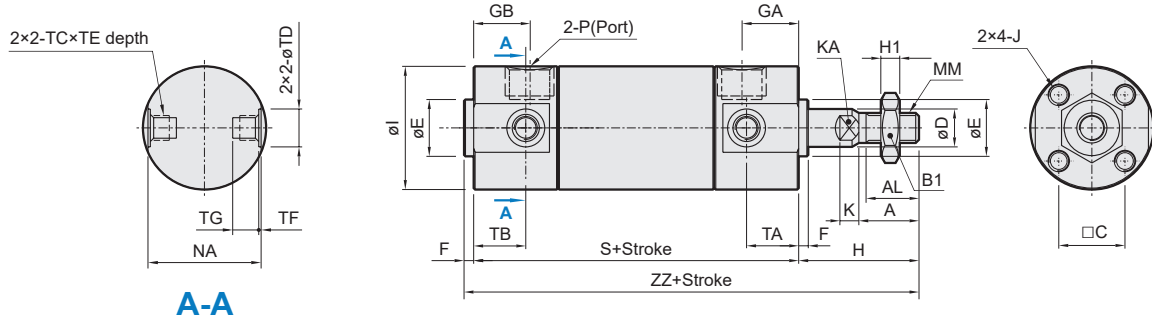
Order example of repair kits





No.	Accessories	Material	Page
1	Mounting accessories LB	Carbon steel	3-95
2	Mounting accessories FAC/FBC	Carbon steel	3-95
3	Mounting accessories CA	Carbon steel	3-96
4	Mounting accessories CB+PIN	Carbon steel	3-96, 98, 90
5	Mounting accessories SDB	Carbon steel	3-97, 90
6	Mounting accessories SDB-R/H	Carbon steel	3-97, 90
7	Mounting accessories TA/TB	Carbon steel	3-98, 90
8	Sensor switch RCM+BMG**	—	8-16
9	Fitting PC (PISCO)	—	8-3 (Vol.1)
10	Speed controller JSC (PISCO)	—	8-15 (Vol.1)

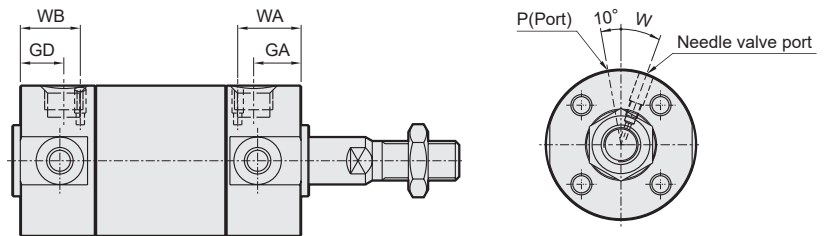
ROUND CYLINDER



A-A

Cushion air (Adjustable)

A



Unit: inch

Code Tube I.D.	Standard stroke range	Long stroke range	A	AL	B1	C	D	E	F	GA	GB	GD	H	H1	I	J	K
20	~ 8	8.01 ~ 14	0.50	0.44	0.44	0.55	0.315	0.472 ^{+0/-0.002}	0.08	0.47	0.47 (0.47)	0.47 (0.47)	1	0.16	1.02	#8-32×0.28 dp	0.157
25	~12	12.01 ~ 16	0.50	0.44	0.50	0.65	0.394	0.551 ^{+0/-0.002}	0.08	0.47	0.47 (0.47)	0.47 (0.47)	1.12	0.19	1.22	#10-32×0.30 dp	0.197
32	~12	12.01 ~ 18	0.75	0.69	0.69	0.79	0.472	0.709 ^{+0/-0.002}	0.08	0.47	0.43 (0.47)	0.43 (0.47)	1.63	0.26	1.50	#10-32×0.30 dp	0.217
40	~12	12.01 ~ 32	0.75	0.69	0.69	1.02	0.630	0.984 ^{+0/-0.002}	0.08	0.51	0.47 (0.51)	0.39 (0.51)	1.63	0.26	1.85	1/4-28×0.47 dp	0.3
50	~12	12.01 ~ 48	0.88	0.84	0.75	1.26	0.787	1.181 ^{+0/-0.002}	0.08	0.55	0.51 (0.51)	0.47 (0.55)	2.07	0.32	2.28	5/16-24×0.63 dp	0.276
63	~12	12.01 ~ 27.5	0.88	0.84	0.75	1.50	0.787	1.260 ^{+0/-0.002}	0.08	0.55	0.51 (0.51)	0.47 (0.55)	2.07	0.32	2.83	3/8-24×0.63 dp	0.276

Code Tube I.D.	KA	MM	NA	P	S	TA	TB	TC	TD _{H9}	TE	TF	TG	W	WA	WB	ZZ
20	0.24	1/4-28 UNF	0.94	NPT1/8	2.72 (3.03)	0.43	0.43 (0.43)	M5×0.8	0.315	0.157	0.020	0.217	40°	0.551	0.551 (0.551)	3.80 (4.11)
25	0.31	5/16-24 UNF	1.14	NPT1/8	2.72 (3.03)	0.43	0.43 (0.43)	M6×0.75	0.394	0.197	0.039	0.256	40°	0.551	0.511 (0.511)	3.92 (4.23)
32	0.39	7/16-20 UNF	1.42	NPT1/8	2.80 (3.11)	0.43	0.39 (0.43)	M8×1.0	0.472	0.217	0.049	0.295	30°	0.551	0.511 (0.511)	4.51 (4.82)
40	0.55	7/16-20 UNF	1.73	NPT1/8	3.07 (3.43)	0.47	0.39 (0.47)	M10×1.25	0.551	0.236	0.049	0.315	20°	0.629	0.590 (0.629)	4.78 (5.14)
50	0.71	1/2-20 UNF	2.17	NPT1/4	3.54 (4.02)	0.51	0.47 (0.51)	M12×1.25	0.630	0.295	0.079	0.394	20°	0.629	0.629 (0.629)	5.69 (6.17)
63	0.71	1/2-20 UNF	2.72	NPT1/4	3.54 (4.02)	0.51	0.47 (0.51)	M14×1.5	0.709	0.453	0.118	0.571	20°	0.708	0.708 (0.708)	5.69 (6.17)

(): Dimension for long stroke.

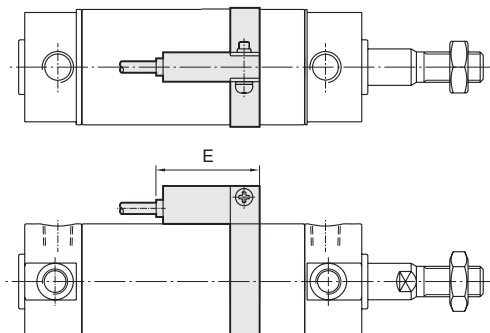
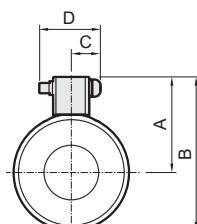
Installation of sensor switch

Sensor switch: RCM

Sensor switch band: BMG**

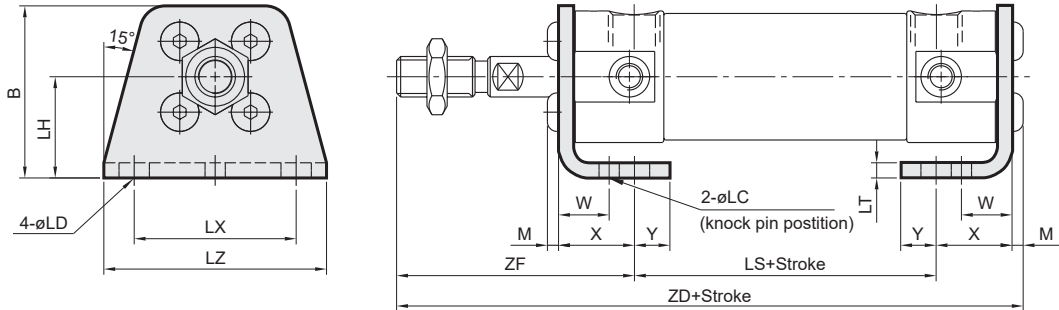
Unit: inch

Code Tube I.D.	A	B	C	D	E
20	0.9449	1.4764	0.2756	0.6299	1.1024
25	1.0433	1.6732	0.2756	0.6299	1.1024
32	1.2008	1.9882	0.2756	0.6299	1.1024
40	1.3780	2.3425	0.2756	0.6299	1.1024
50	1.5945	2.7756	0.2756	0.6299	1.1024
63	1.8701	3.3268	0.2756	0.6299	1.1024



ROUND CYLINDER

LB

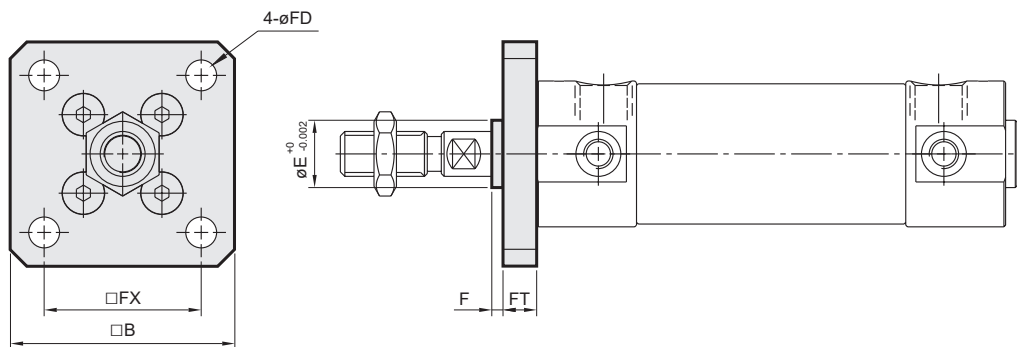


Unit: inch

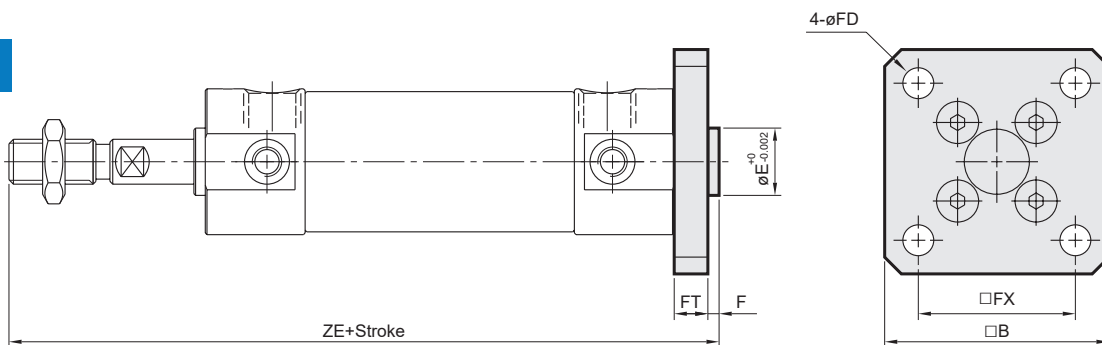
Code Tube I.D.	B	LC	LD	LH	LS	LT	LX	LZ	M	W	X	Y	ZD	ZF
20	1.34	0.16	0.24	0.79	1.78 (2.09)	0.12	1.26	1.73	0.09	0.39	0.59	0.28	3.93 (4.24)	1.47
25	1.52	0.16	0.24	0.87	1.78 (2.09)	0.12	1.42	1.93	0.11	0.39	0.59	0.28	4.07 (4.38)	1.59
32	1.77	0.16	0.26	0.98	1.78 (2.09)	0.12	1.73	2.28	0.11	0.39	0.63	0.31	4.66 (4.97)	2.14
40	2.15	0.16	0.26	1.18	2.01 (2.37)	0.12	2.13	2.80	0.13	0.39	0.65	0.33	4.95 (5.31)	2.16
50	2.78	0.20	0.35	1.57	2.16 (2.64)	0.18	2.60	3.39	0.17	0.69	0.87	0.43	5.96 (6.44)	2.76
63	3.25	0.20	0.43	1.77	2.16 (2.64)	0.18	3.23	4.17	0.22	0.69	0.87	0.51	6.01 (6.49)	2.76

(): Dimension for long stroke.

FAC



FBC



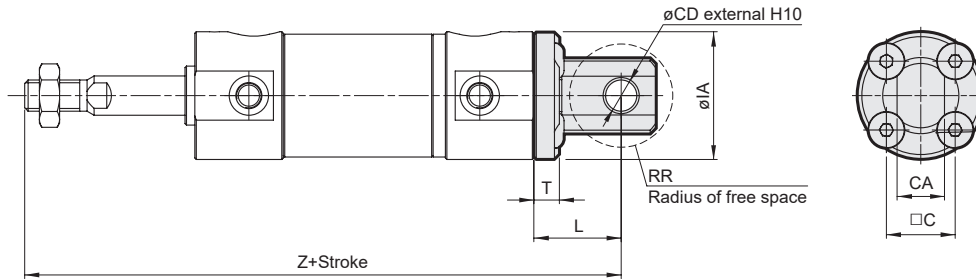
Unit: inch

Code Tube I.D.	B	E	F	FX	FD	FT	ZE
20	1.57	0.472	0.08	1.10	0.22	0.24	4.04 (4.35)
25	1.73	0.551	0.08	1.26	0.22	0.28	4.20 (4.51)
32	2.09	0.709	0.08	1.50	0.26	0.28	4.79 (5.10)
40	2.40	0.984	0.08	1.81	0.26	0.31	5.09 (5.45)
50	2.99	1.181	0.08	2.28	0.35	0.35	6.04 (6.52)
63	3.62	1.260	0.08	2.76	0.43	0.35	6.04 (6.52)

(): Dimension for long stroke.

ROUND CYLINDER

CA

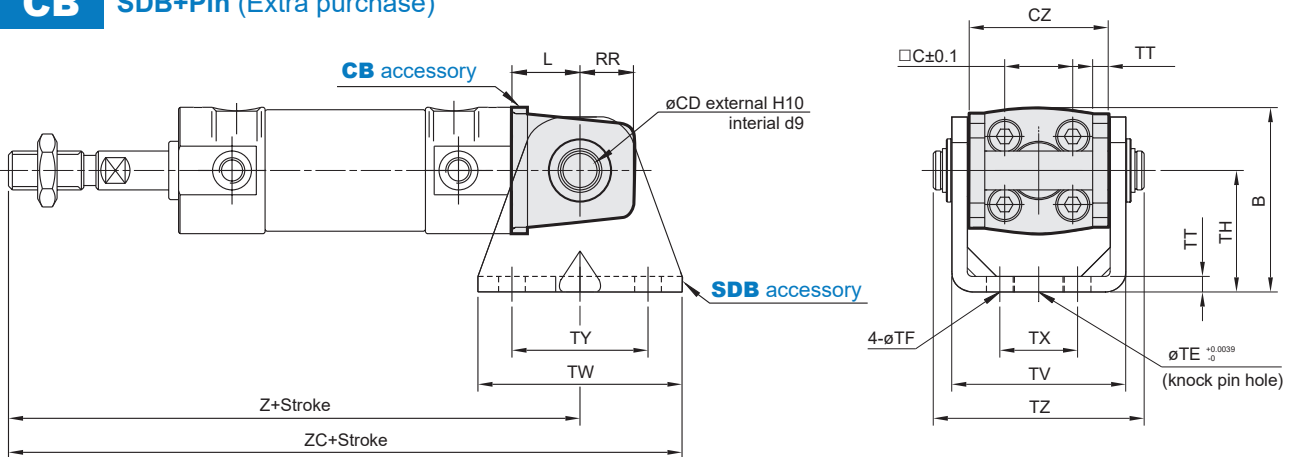


Unit: inch

Code Tube I.D.	C	CA	CD	IA	L	RR	T	Z
20	0.55	0.38	0.25	1.02	0.70	0.42	0.20	4.42(4.73)
25	0.65	0.38	0.25	1.22	0.68	0.75	0.21	4.52(4.83)
32	0.79	0.5	0.25	1.49	1.07	0.60	0.47	5.50(5.81)
40	1.02	0.62	0.375	1.85	0.88	0.65	0.25	5.58(5.94)
50	1.26	0.75	0.375	2.28	0.91	0.38	0.29	6.52(7)
63	1.5	0.75	0.375	2.83	0.91	0.38	0.29	6.52(7)

(): Dimension for long stroke.

CB SDB+Pin (Extra purchase)

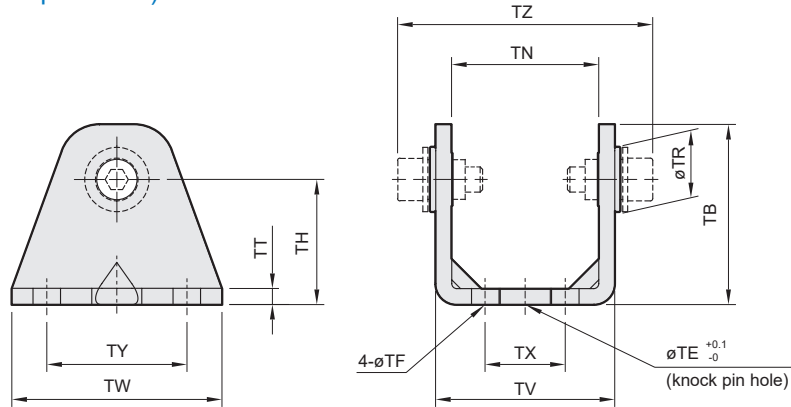


Unit: inch

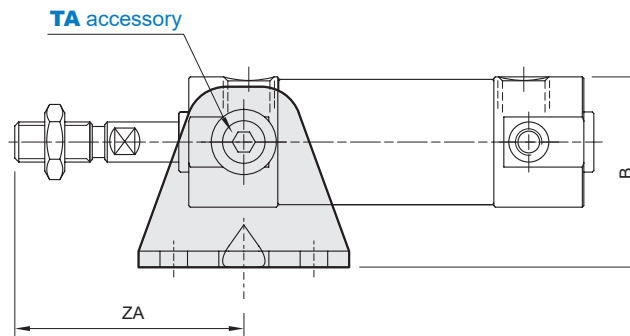
Code Tube I.D.	B	CD	CZ	L	RR	TE	TF	TH	TT	TV	TW	TX	TY	TZ	Z	ZC
20	1.50	0.315	1.14	0.55	0.43	0.394	0.22	0.98	0.13	1.41	1.65	0.63	1.10	1.71	4.27 (4.58)	5.10 (5.41)
25	1.79	0.394	1.30	0.63	0.51	0.394	0.22	1.18	0.13	1.57	1.65	0.79	1.10	1.89	4.47 (4.78)	5.30 (5.61)
32	2.13	0.472	1.57	0.79	0.59	0.394	0.26	1.38	0.18	1.94	1.89	0.87	1.10	2.34	5.22 (5.53)	6.16 (6.47)
40	2.50	0.551	1.93	0.87	0.71	0.394	0.26	1.57	0.18	2.30	2.20	1.18	1.18	2.81	5.57 (5.93)	6.67 (7.03)
50	3.11	0.630	2.36	0.98	0.79	0.787	0.35	1.97	0.24	2.85	2.52	1.42	1.42	3.39	6.59 (7.07)	7.85 (8.33)
63	3.78	0.709	2.91	1.18	0.87	0.787	0.43	2.36	0.31	3.56	2.91	1.81	1.81	4.15	6.79 (7.27)	8.25 (8.73)

(): Dimension for long stroke.

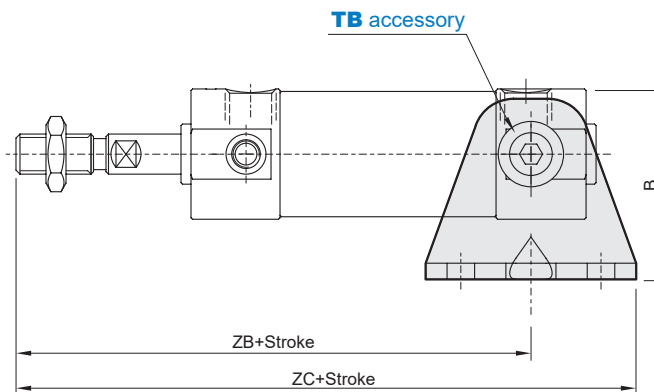
SDB TA/TB (Extra purchase)



SDB-R



SDB-H

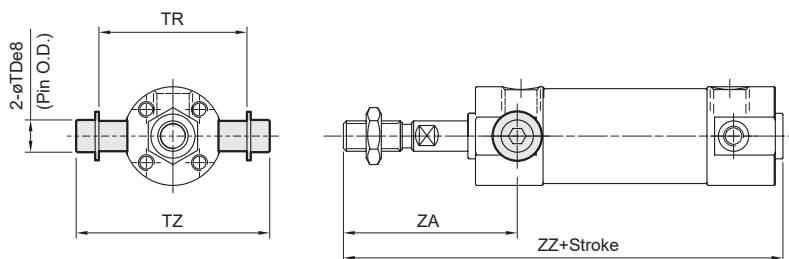


Unit: inch

Code Tube I.D.	B	TB	TE	TF	TH	TN	TR	TT	TV	TW	TX	TY	TZ	ZA	ZB	ZC	Applicable pin O.D.
20	1.50	1.42	0.394	0.22	0.98	1.15	0.55	0.13	1.41	1.65	0.63	1.10	2.00	1.43	3.29(3.6)	3.80(4.11)	0.315 -0.0016 -0.0030
25	1.79	1.69	0.394	0.22	1.18	1.30	0.63	0.13	1.57	1.65	0.79	1.10	2.29	1.55	3.41(3.72)	3.92(4.23)	0.394 -0.0016 -0.0030
32	2.13	1.97	0.394	0.26	1.38	1.59	0.71	0.18	1.94	1.89	0.87	1.10	2.81	2.06	4.04(4.31)	4.51(4.82)	0.472 -0.0020 -0.0037
40	2.50	2.28	0.394	0.26	1.57	1.94	0.87	0.18	2.30	2.20	1.18	1.18	3.48	2.10	4.31(4.59)	4.78(5.14)	0.551 -0.0020 -0.0037
50	3.11	2.76	0.787	0.35	1.97	2.38	0.98	0.24	2.85	2.52	1.42	1.42	4.29	2.58	5.14(5.58)	5.69(6.17)	0.630 -0.0020 -0.0037
63	3.78	3.23	0.787	0.43	2.36	2.94	1.06	0.31	3.56	2.91	1.81	1.81	5.15	2.58	5.14(5.58)	5.69(6.17)	0.709 -0.0020 -0.0037

(): Dimension for long stroke.

TA Front trunnion

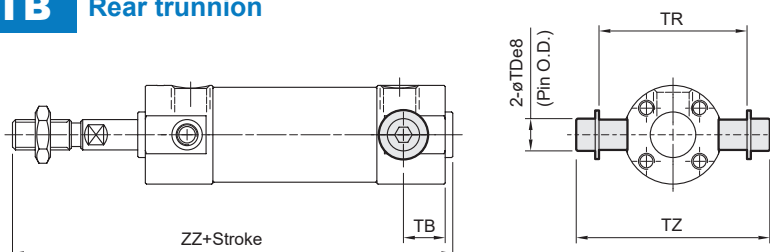


Unit: inch

Code Tube I.D.	TB	TDe8	TR	TZ
20	0.43(0.43)	0.315	1.54	2.00
25	0.43(0.43)	0.394	1.69	2.29
32	0.39(0.43)	0.472	2.11	2.81
40	0.39(0.47)	0.551	2.54	3.48
50	0.47(0.51)	0.630	3.15	4.29
63	0.47(0.51)	0.709	3.86	5.15

(): Dimension for long stroke.

TB Rear trunnion

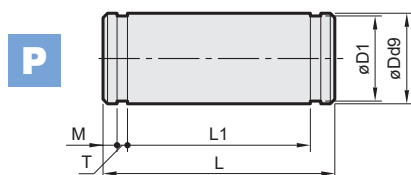


Unit: inch

Code Tube I.D.	ZA	ZB	ZZ
20	1.43	3.29 (3.60)	3.80 (4.11)
25	1.55	3.41 (3.72)	3.92 (4.23)
32	2.06	4.04 (4.31)	4.51 (4.82)
40	2.10	4.31 (4.59)	4.78 (5.14)
50	2.58	5.14 (5.58)	5.69 (6.17)
63	2.58	5.14 (5.58)	5.69 (6.17)

(): Dimension for long stroke.

PIN



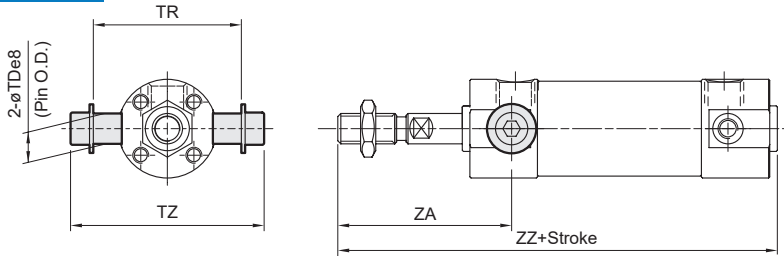
for CB

Unit: inch

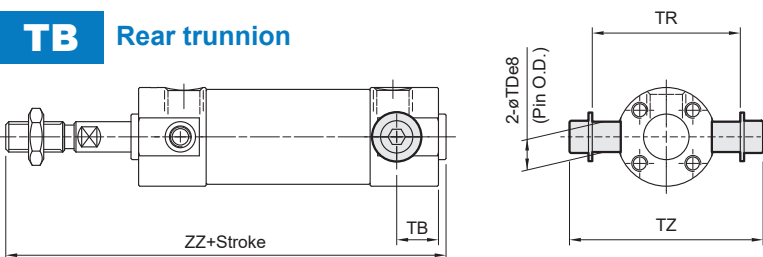
Code Tube I.D.	Dd9	D1	L	L1	M	T	Snap ring
20	0.315 ^{-0.0016} _{-0.0030}	0.30	1.71	1.52	0.06	0.04	STW-8
25	0.394 ^{-0.0016} _{-0.0030}	0.38	1.89	1.68	0.06	0.05	STW-10
32	0.472 ^{-0.0020} _{-0.0037}	0.45	2.34	2.13	0.06	0.05	STW-12
40	0.551 ^{-0.0020} _{-0.0037}	0.53	2.81	2.56	0.08	0.05	STW-14
50	0.630 ^{-0.0020} _{-0.0037}	0.60	3.39	3.13	0.08	0.05	STW-16
63	0.709 ^{-0.0020} _{-0.0037}	0.67	4.15	3.85	0.10	0.05	STW-18

ROUND CYLINDER

TA Front trunnion



TB Rear trunnion

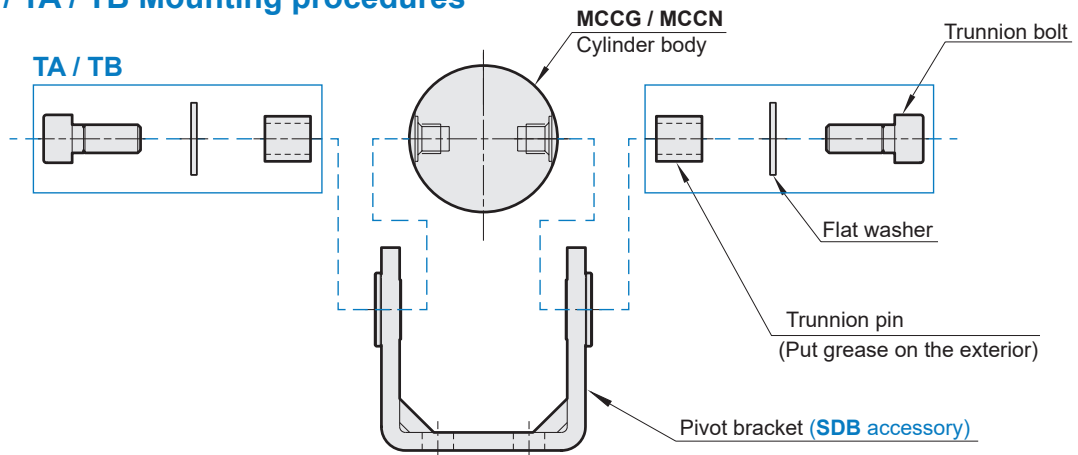


Code Tube I.D.	TB	TDe8	TR	TZ	ZA	ZZ
20	11(11)	8 ^{+0.025} _{-0.047}	39	51	46	106 (114)
25	11(11)	10 ^{+0.025} _{-0.047}	43	58.2	51	111 (119)
32	10(11)	12 ^{+0.032} _{-0.059}	53.5	71.5	51	113 (121)
40	10(12)	14 ^{+0.032} _{-0.059}	64.5	88.5	62	130 (139)
50	12(13)	16 ^{+0.032} _{-0.059}	80	109	71	150 (162)
63	12(13)	18 ^{+0.032} _{-0.059}	98	131	71	150 (162)

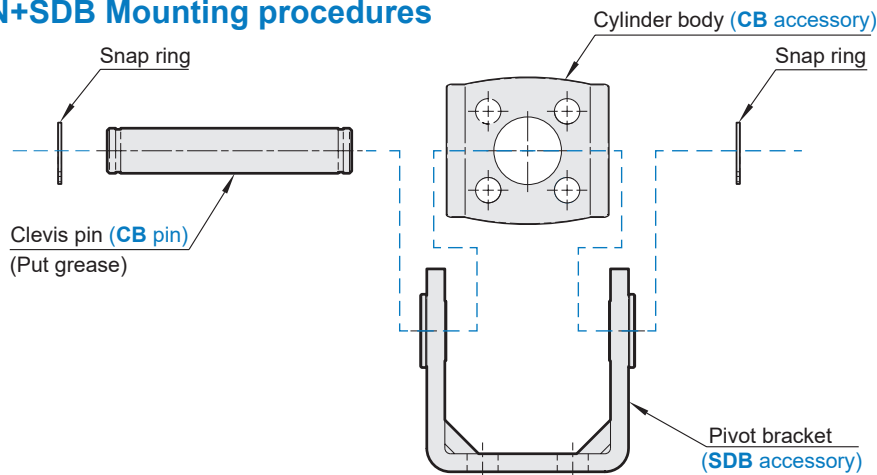
(): Dimension for long stroke.

MCCG / MCCN

SDB-R(H) / TA / TB Mounting procedures





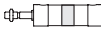


CB+PIN+SDB Mounting procedures



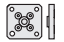









Cylinder weight

Unit: kg

Model	Stroke	Basic weight		Basic weight (magnet)		Stroke 25 mm
		MCCN-11	MCCN-11-A	MCCN-11-M	MCCN-11-M-A	
Tube I.D.						
20	~200	0.107	0.112	0.108	0.113	0.022
	201~350	0.117	0.122	0.118	0.123	
25	~300	0.165	0.165	0.166	0.166	0.03
	301~400	0.178	0.178	0.179	0.179	
32	~300	0.233	0.237	0.234	0.238	0.043
	301~450	0.261	0.265	0.262	0.266	
40	~300	0.402	0.413	0.414	0.425	0.067
	301~800	0.44	0.451	0.452	0.463	
50	~300	0.753	0.782	0.77	0.799	0.1
	301~1200	0.838	0.867	0.855	0.884	
63	~300	1.058	1.076	1.078	1.096	0.119
	301~700	1.192	1.21	1.212	1.23	

Accessories weight

Model	LB	CB	FAC / FBC	SDB	TA / TB	Y	I	PIN-Y-P (With snap ring)	PIN-CB-P (With snap ring)	Rod nut
Tube I.D.										
20	0.0434	0.037	0.066	0.089	0.012	0.0352	0.0318	0.0088	0.0174	0.002
25	0.0543	0.051	0.092	0.111	0.018					0.0622
32	0.072	0.096	0.136	0.202	0.038	0.093	0.07	0.0262	0.053	
40	0.089	0.147	0.208	0.311	0.068				0.182	0.151
50	0.24	0.272	0.364	0.545	0.114	0.2116	0.135	0.2116		
63	0.352	0.488	0.521	0.725	0.176					