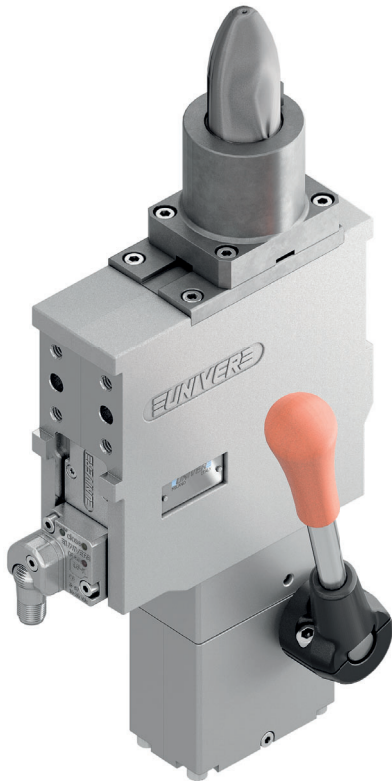


USL 50

Manual pin clamp, Ø50 mm

Manual pin clamp mainly designed for centering and clamping metal sheets in BIW underbody applications



- Integrated compensation up to 2,3 mm
- Double metal scraper for protection against dust and welding debris
- Toggle-joint mechanism
- High wear resistance steel pin
- Electronic sensor
- Hook position: 0/180°
- Ergonomic hand lever
- Available version with plate machined from solid (no shimming)

CHARACTERISTICS

| | |
|--------------------------------------|----------------------|
| Operating temperature | 5° ÷ 45° C |
| Min./Max. Operating pressure | 0,4 / 0,6 MPa |
| Bore Ø | 50 mm |
| Clamping force | 3500 N |
| Weight (without plate, pin and hook) | 3,6 kg |
| Sensor | electronic (optical) |
| Supply voltage | 10 ÷ 30 Vdc |
| IP code | IP 65 |

6

CODIFICATION KEY

| | | | | | | | | | |
|----|---|----|---|---|---|---|---|---|----|
| US | L | 50 | J | 3 | 1 | - | K | 0 | |
| 1 | 2 | 3 | 4 | 5 | 6 | 7 | 8 | 9 | 10 |



IRREVERSIBLE



LIGHTWEIGHT



COMPENSATION



METAL SCRAPER



OPTICAL SENSOR



HIGH REPEATABILITY

1

SERIES

US = UNICLAMP Pin clamp with compensation

2

VERSION

L = Manual with hand lever

3

SIZE

50 = Ø50 mm

4

MODEL

J = Standard

5

PIN DIAMETER

1 < = Ø18 mm
 2 = Ø20 mm
 3 = Ø25 mm
 4 = Ø30 mm
 5 = Ø35 mm
 6 = Ø40 mm

For pin Ø outside the mentioned range, please contact our sales department

6

LOCATING PIN

0 = Locating pin not included
 1 = Locating pin included

7

PROGRESSIVE NUMBERING

Progressive numbers for special products are assigned by the Sales Department

8

SENSOR

N = No sensor (with protection plate)
 K = Electronic sensor PNP, M12 (DF-K)
 J = Electronic sensor NPN, optical (DF-J)
 Y = Electronic sensor PNP, M12 (DF-Y) white LED

9

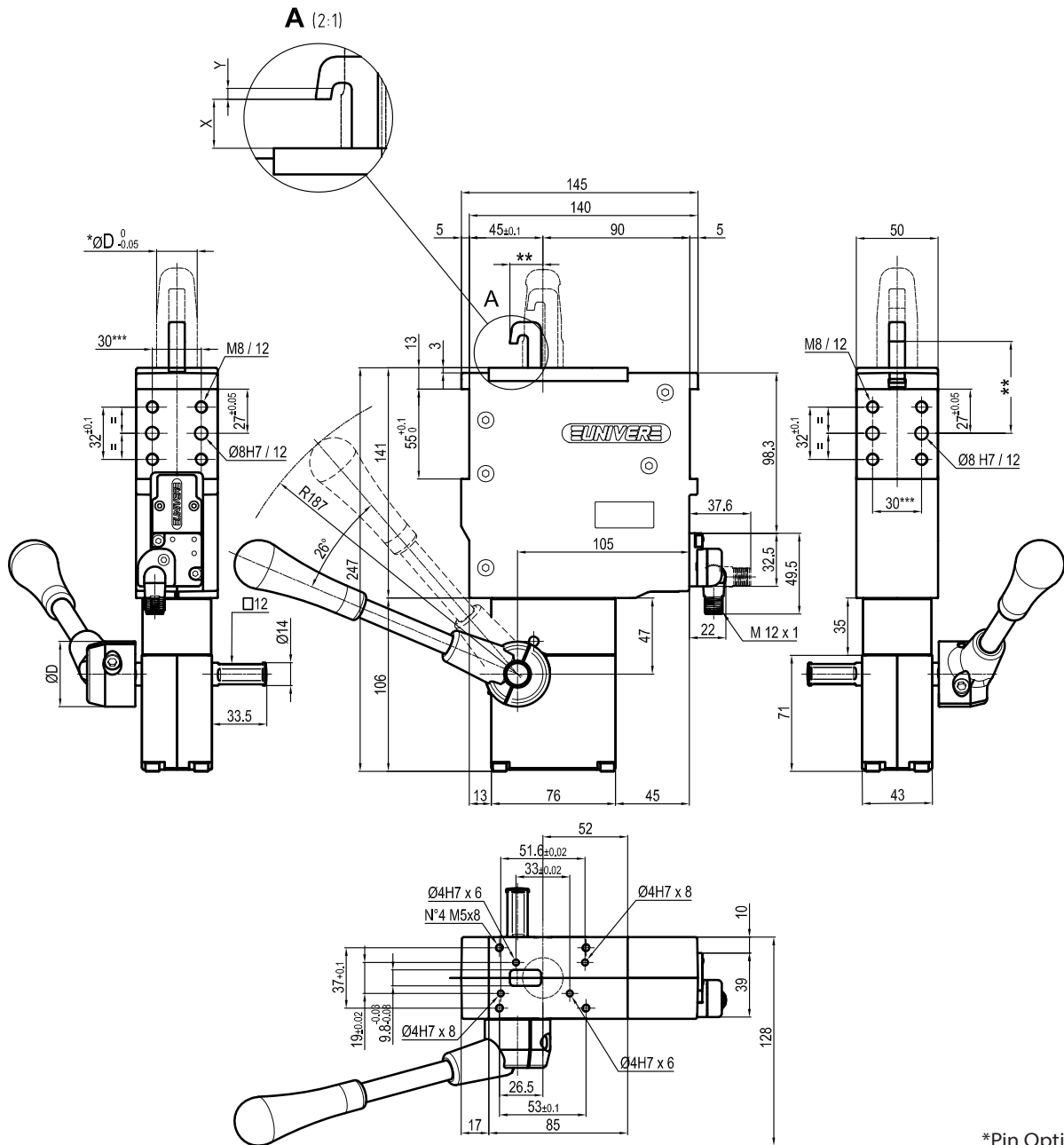
PRODUCT REVISION

Assigned by UNIVER

10

ATEX

X = ATEX option
 See ATEX Catalogue for types and versions



6

| *Pin Option | ØD |
|-------------|----|
| 1 | 18 |
| 2 | 20 |
| 3 | 25 |
| 4 | 30 |
| 5 | 35 |
| 6 | 40 |

X = Metal sheet
 Y = Clamping range (X + 2,3 mm Max.)
 VERSION WITHOUT PIN AND HOOK AVAILABLE UPON REQUEST
 ** MISSING DIMENSION TO BE DEFINED ACCORDING TO CUSTOMER SPECIFICATIONS
 *** TOLERANCE BETWEEN DOWEL HOLES ± 0,02, BETWEEN SCREW HOLES ± 0,1

Sensors



Electronic (optical)

- DF-K PNP M12
- DF-J NPN M12
- DF-Y PNP M12 White LED

Accessories



Handlever

UBF255063