

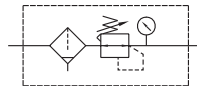
MAFR403 series

AIR UNIT (F.R.UNIT)



Option: MP41

Symbol



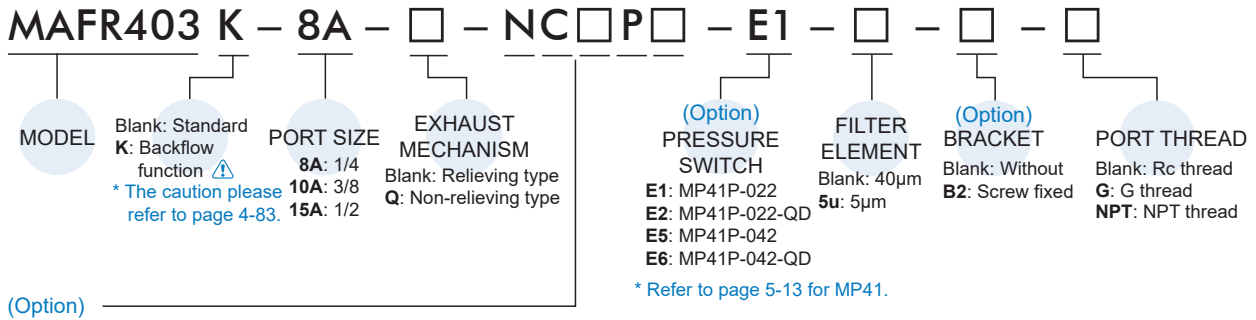
Specification

Model	MAFR403		
Bore No.	8A	10A	15A
Port size	1/4	3/8	1/2
Medium	Air		
Operating perssure range (*)	0.05~1 MPa		
Proof pressure	1.5 MPa		
Regulated pressure range	0.1~0.85 MPa		
Ambient temperature	- 5~+60°C (No freezing)		
Filter element	Standard: 40μm, Option: 5μm		
Drain capacity	75 cm ³		
Attachment	Pressure gauge (PG-20)		
Weight	620 g		

* Standard unit contains semi-auto-drain function when operating pressure below 0.05 MPa.

* Choose auto-drain FMRF300, the pressure range is 0.15~1 MPa.

Order example



Bowl	Pressure gauge	Drain valve	Pressure switch	Flow direction
Blank: PC bowl N: Nylon bowl	Blank: Pressure gauge (PG-20) C: External pressure gauge (PG-40) + Gauge adapter set (A-MAR302) A: Gauge adapter set (A-MAR302)	Blank: Semi-auto drain D: Auto drain valve (FMRF300)	P: Pressure switch (MPS series)	Blank: Left to right R: Right to left

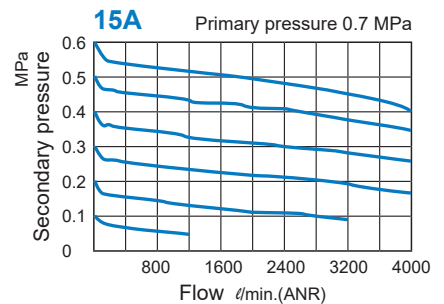
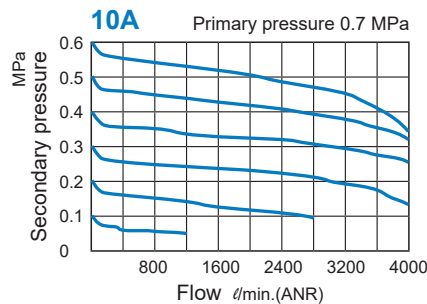
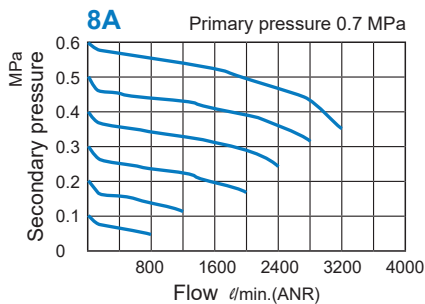
* Standard type regulator can not release the outlet pressure completely, even if inlet pressure was cut off, and the backflow function (K) must be applied to completely remove the residual pressure.

* The (Q) non-relieving type regulator is used. When the output pressure is higher than the set pressure, the output pressure will not flow out through the exhaust hole.

* PG-40 (C), A-MAR302 (A) and MP41 (E*) can not be selected at the same time.

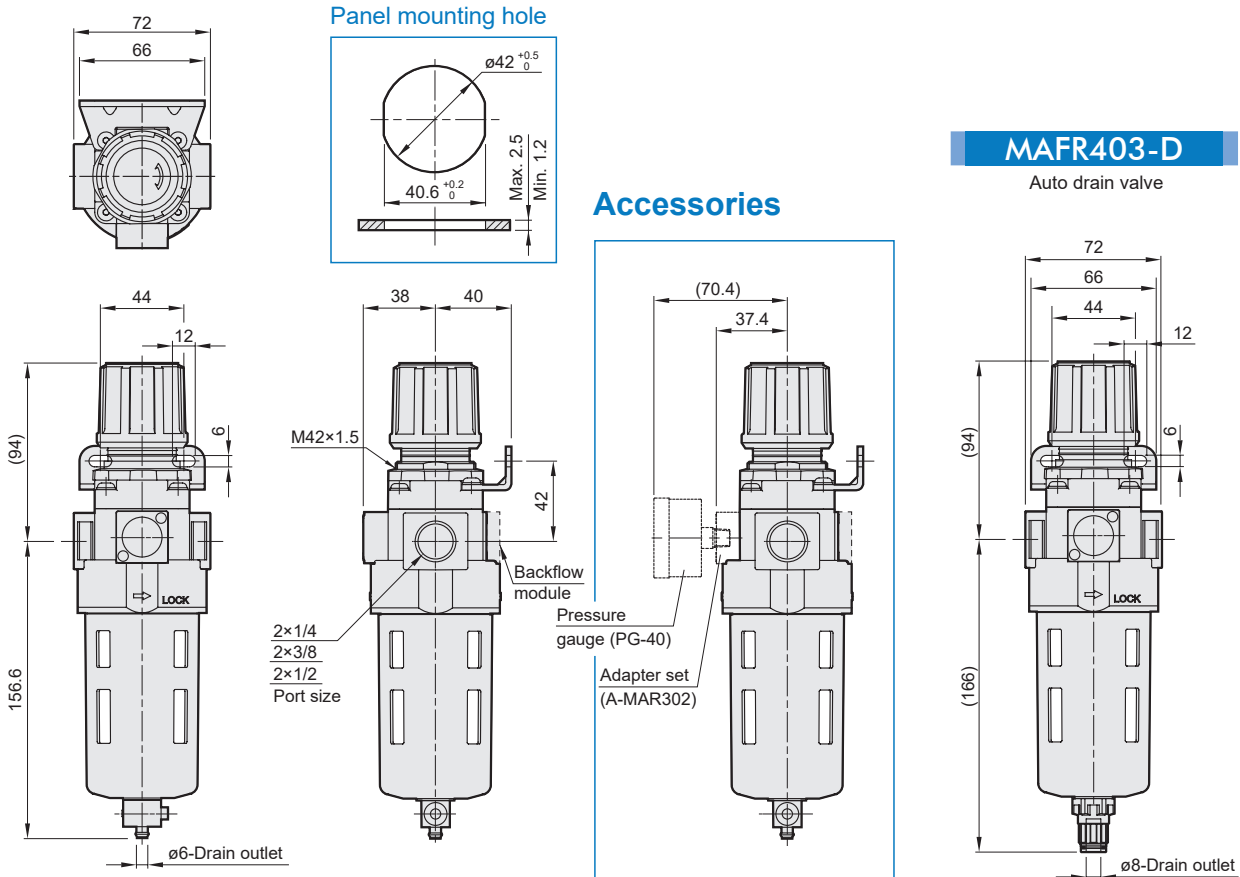
* There is no pressure gauge in option (A), please purchase if necessary.

Flow feature



MAFR403 Dimensions

AIR UNIT (F.R.UNIT)



MAFR403-D Auto drain valve

Accessories

MAFR403-P MPS Series pneumatic pressure switch

