

# MVSC1-220 series

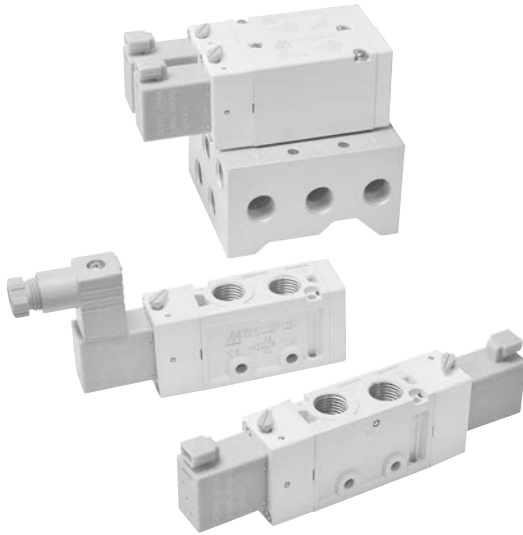
SOLENOID VALVE



mindman

## Specification

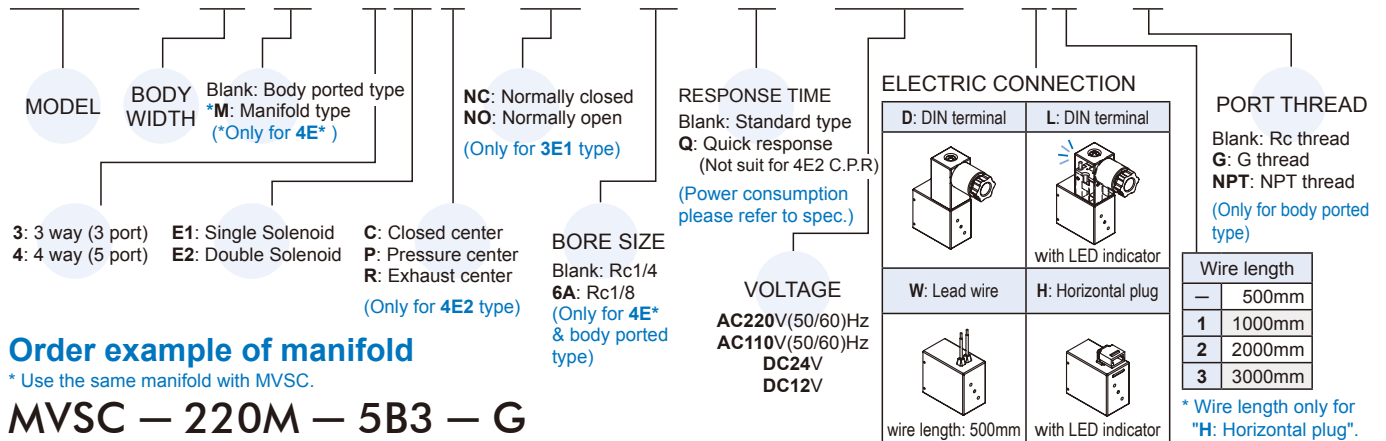
Model	3E1	3E2	4E1	4E2	4E2 C.P.R
Bore No.	8A		6A, 8A		
Port size	Rc1/4		Rc1/8, Rc1/4		
No. of port / position	3 / 2		5 / 2		5 / 3
Medium	Air				
Operating pressure range	0.2~0.8 MPa			0.3~0.8 MPa	
Proof pressure	1 MPa				
Effective orifice	18 mm <sup>2</sup>			16 mm <sup>2</sup>	
Response time	Standard	AC < 40ms, DC < 30ms			AC<50ms, DC<40ms
	Quick response*	AC < 37ms, DC < 26ms			—
Power consumption	Standard	AC=1.12VA, DC=0.95W			
	Quick response*	AC=2.5VA, DC=2.5W			
Ambient temperature	-5~+50°C (No freezing)				
Voltage	AC110V, 220V (50/60)Hz, DC24/12V				
Available voltage range	±10%				
Insulation class	F class				
Weight	86 g	130 g	108 g	152 g	198 g



\* For quick response type, it cannot be energized for more than 30 minutes.

## Order example of valve

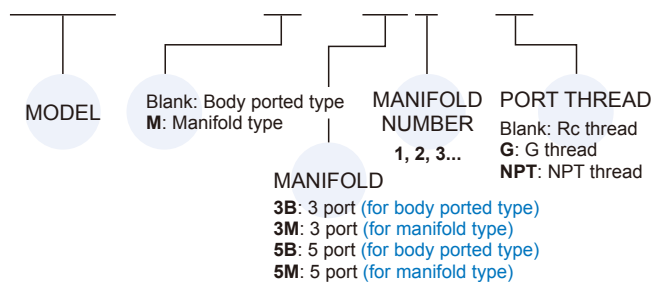
MVSC1 – 220M – 4E2C – NC – □ – □ – AC110 – H1 – G



## Order example of manifold

\* Use the same manifold with MVSC.

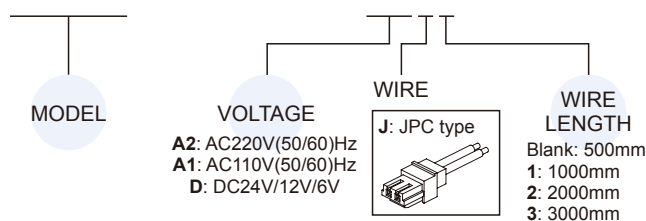
MVSC – 220M – 5B3 – G



## Order example of wire

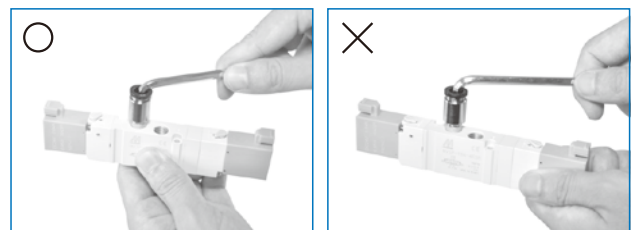
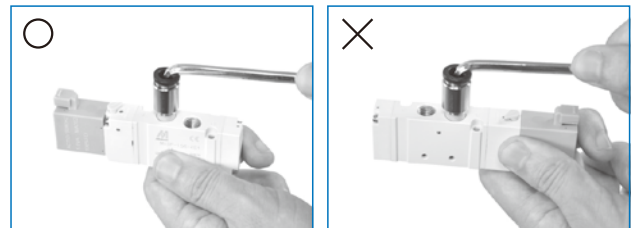
\* Use the same wire with MVDY.  
\* Only for "H: Horizontal plug".

MVDY – 100 – WA2J2



## Caution

Prohibit apply force to coil when tighten the tube fitting.

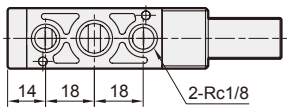
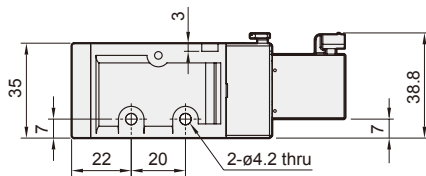
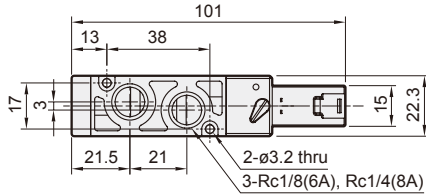
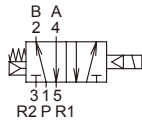


# MVSC1-220 Dimensions

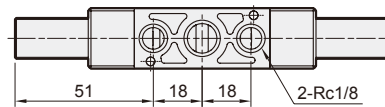
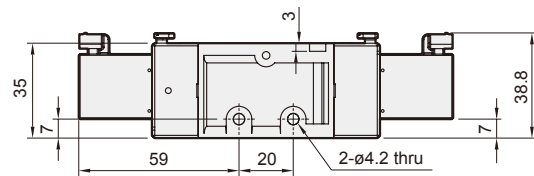
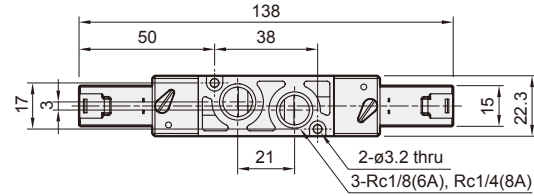
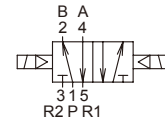
## SOLENOID VALVE



### MVSC1-220-4E1

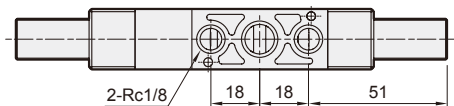
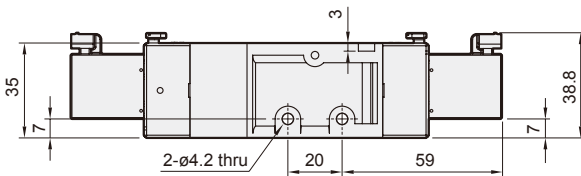
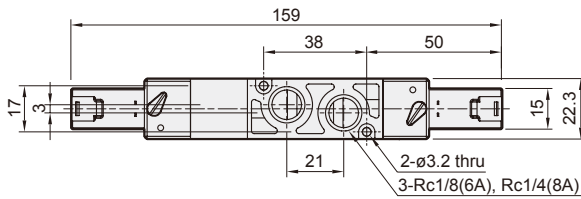
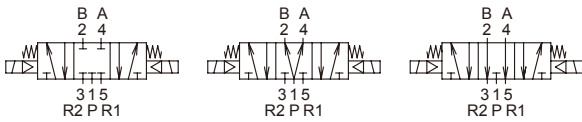


### MVSC1-220-4E2

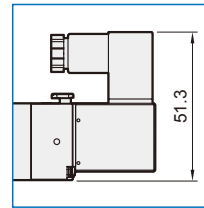


### MVSC1-220-4E2C.PR

MVSC1-220-4E2C MVSC1-220-4E2P MVSC1-220-4E2R

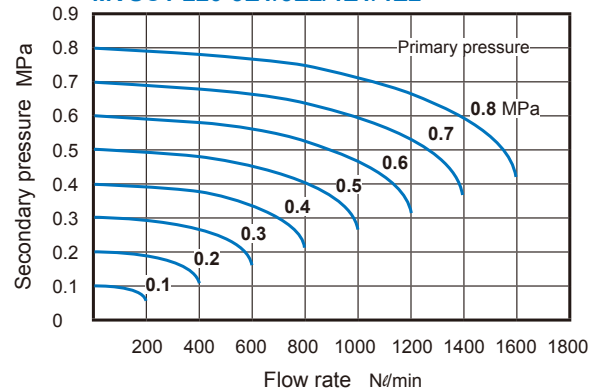


### DIN terminal / DIN terminal with LED indicator



### Flow features

MVSC1-220-3E1/3E2/4E1/4E2

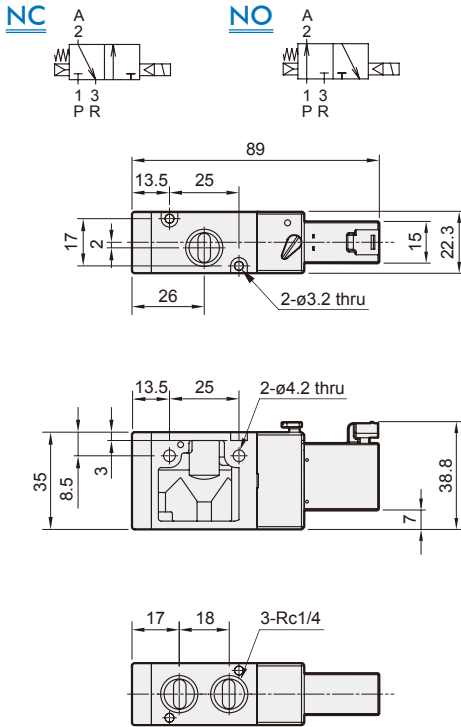


# MVSC1-220 Dimensions

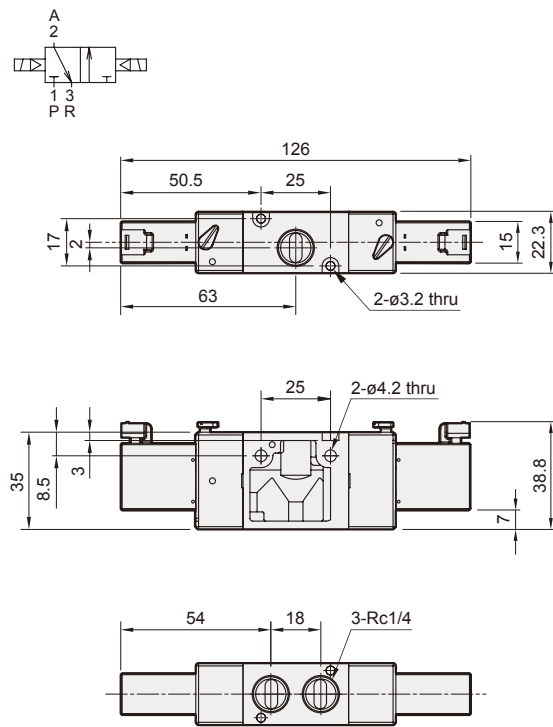
SOLENOID VALVE



## MVSC1-220-3E1-NC/NO



## MVSC1-220-3E2



# MVSC1-220 Manifold

## SOLENOID VALVE

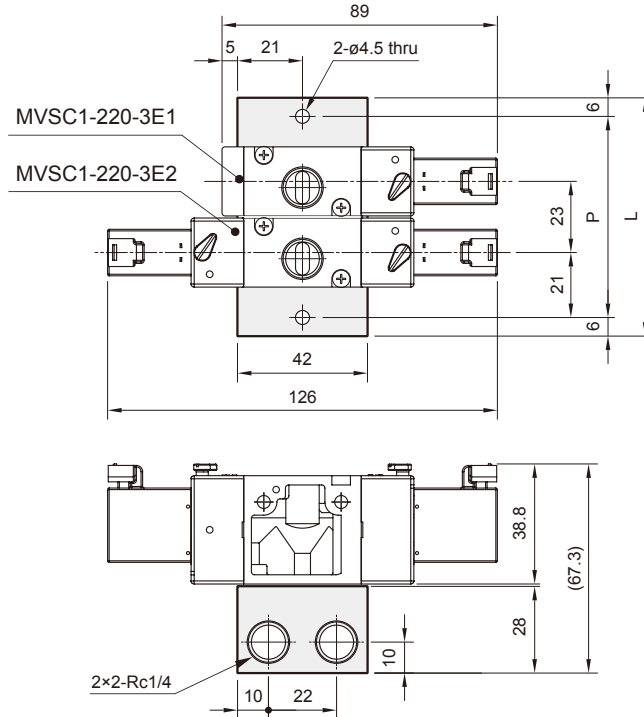


### MVSC-220-3B\*

\* Use the same manifold with MVSC.

3 port (for body ported type)

No. of stations	P	L
2	65	77
3	88	100
4	111	123
5	134	146
6	157	169
7	180	192
8	203	215
9	226	238
10	249	261

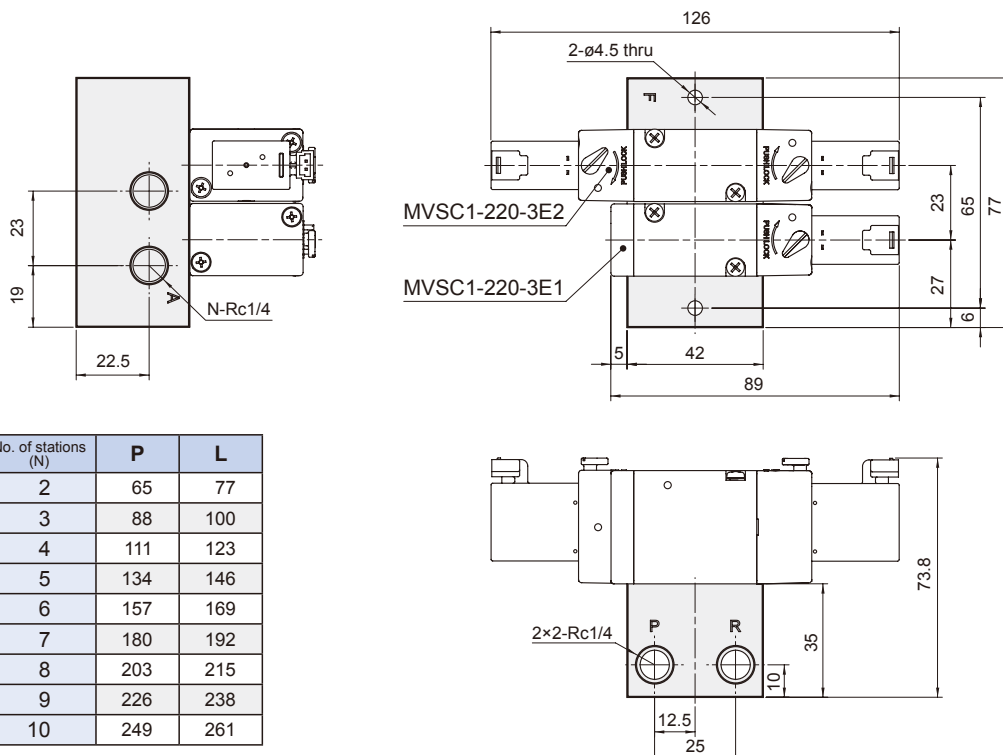


### MVSC-220M-3M\*

\* Use the same manifold with MVSC.

3 port (for manifold type)

No. of stations (N)	P	L
2	65	77
3	88	100
4	111	123
5	134	146
6	157	169
7	180	192
8	203	215
9	226	238
10	249	261



# MVSC1-220 Manifold

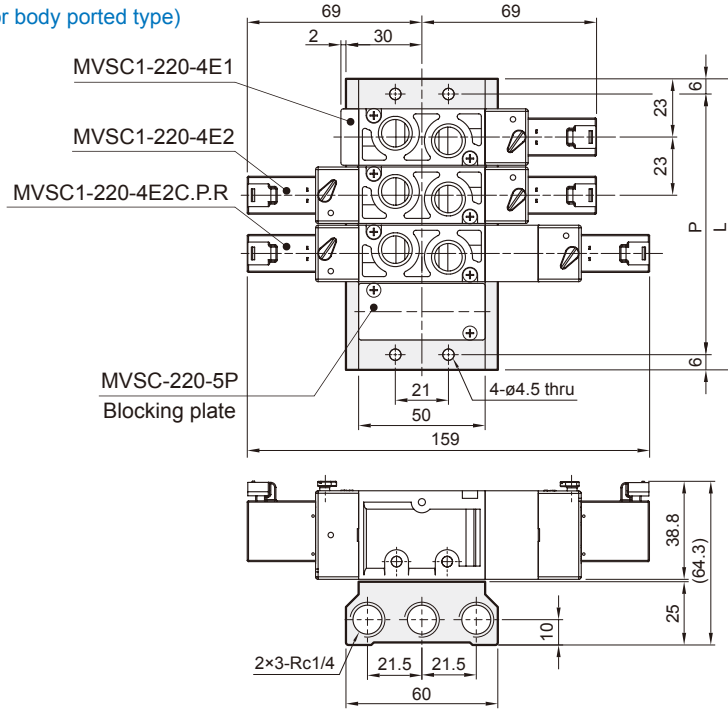
## SOLENOID VALVE



### MVSC-220-5B\*

\* Use the same manifold with MVSC.

5 port (for body ported type)

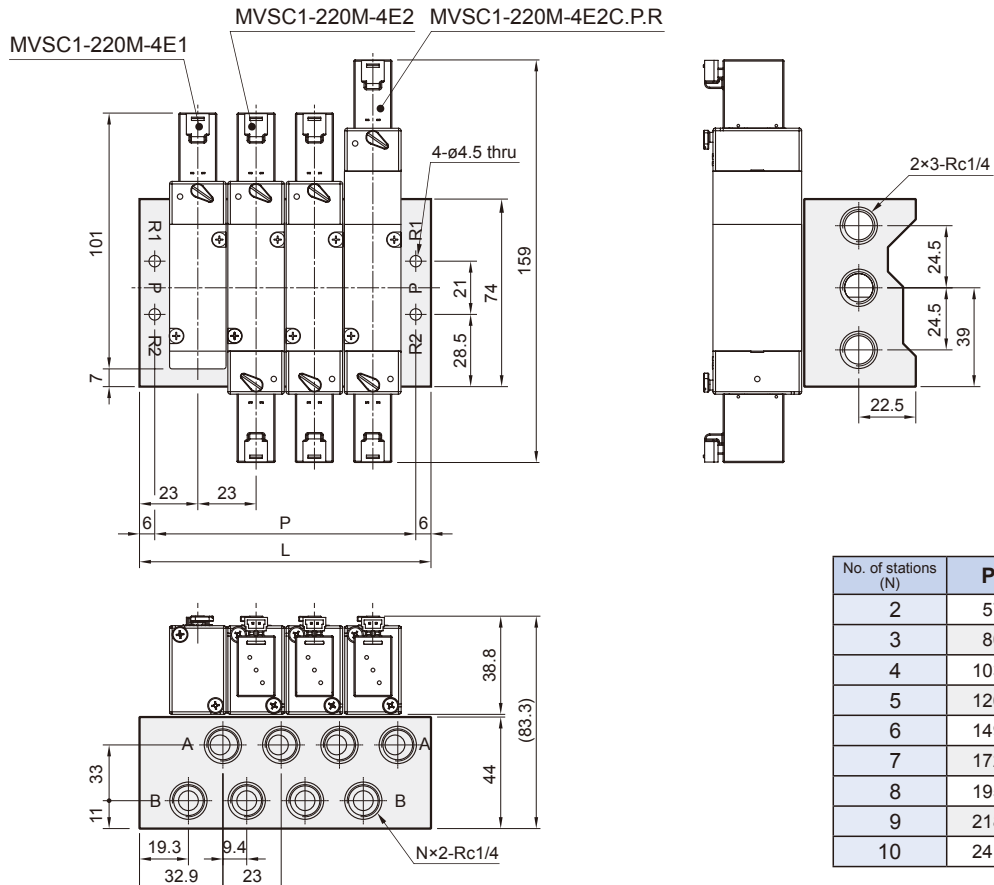


No. of stations	P	L
2	57	69
3	80	92
4	103	115
5	126	138
6	149	161
7	172	184
8	195	207
9	218	230
10	241	253

### MVSC-220M-5M\*

\* Use the same manifold with MVSC.

5 port (for manifold type)



No. of stations (N)	P	L
2	57	69
3	80	92
4	103	115
5	126	138
6	149	161
7	172	184
8	195	207
9	218	230
10	241	253