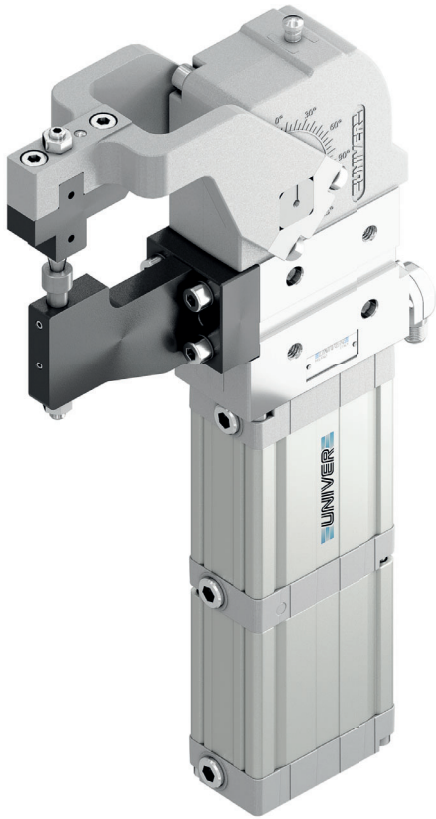


UPD 05

Marking unit with single character, 500 Nm



Marking unit with 500 Nm clamping moment specially designed for marking one single character on metal sheets. High customisation thanks to the possibility to choose the marking position and character.

- Different marking characters available
- Possibility to choose the marking position (from above or from below)
- Integrated compensation up to 2 mm
- 75° opening angle
- Optical sensor
- Possibility to translate the position of the metal sheet vertically

CHARACTERISTICS

Operating temperature	5° ÷ 45° C
Min./Max. Operating pressure	0,4 / 0,6 MPa
Opening angle	0 ÷ 75°
Cylinder bore Ø	63 mm
Marking force (0,5 MPa)	4 KN
Clamping moment (0,55 Mpa)	500 Nm
Weight	6,6 kg
Air cycle (0,5 MPa)	3,7 NI
Pneumatic supply ports	G1/4 on both sides
Sensor	electronic (optical)
Supply voltage	10 ÷ 30 Vdc
IP code	IP 65

CODIFICATION KEY

UPD	05	08	OF	M	00	F	0	
1	2	3	4	5	6	7	8	9

1	SERIES UPD = UNICLAMP Marking units single character	6	CHARACTER 00 = Without character (Standard) Progressive numbers are assigned by the Sales Dept.
2	VERSION 05 = 500 Nm Ø 63 mm tandem cylinder	7	CONNECTIONS F = front side (in front of the sensor)
3	SIZE 08 = 84 mm	8	PRODUCT REVISION Assigned by UNIVER
4	OPENING ANGLE OF = 75° fixed	9	ATEX X = ATEX option See ATEX Catalogue for types and versions
5	CHARACTER MOUNTING M = on the moving part F = on the fixed part		

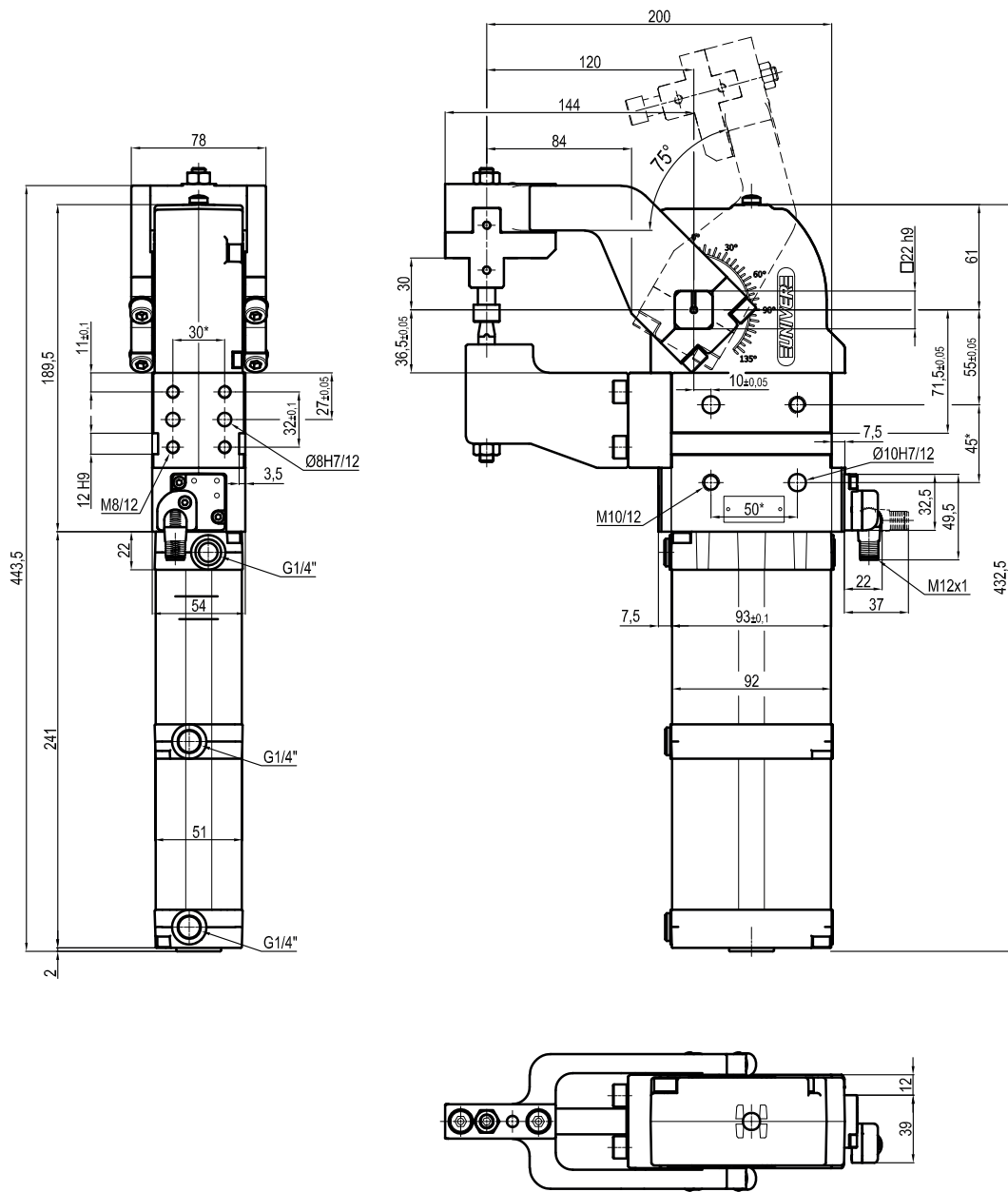


COMPENSATION



OPTICAL SENSOR

F Character mounting
On the fixed part



* TOLERANCE BETWEEN DOWELS $\pm 0,02$, BETWEEN SCREW HOLES $\pm 0,1$
** AREA TO ACCESS ANGLE ADJUSTMENT

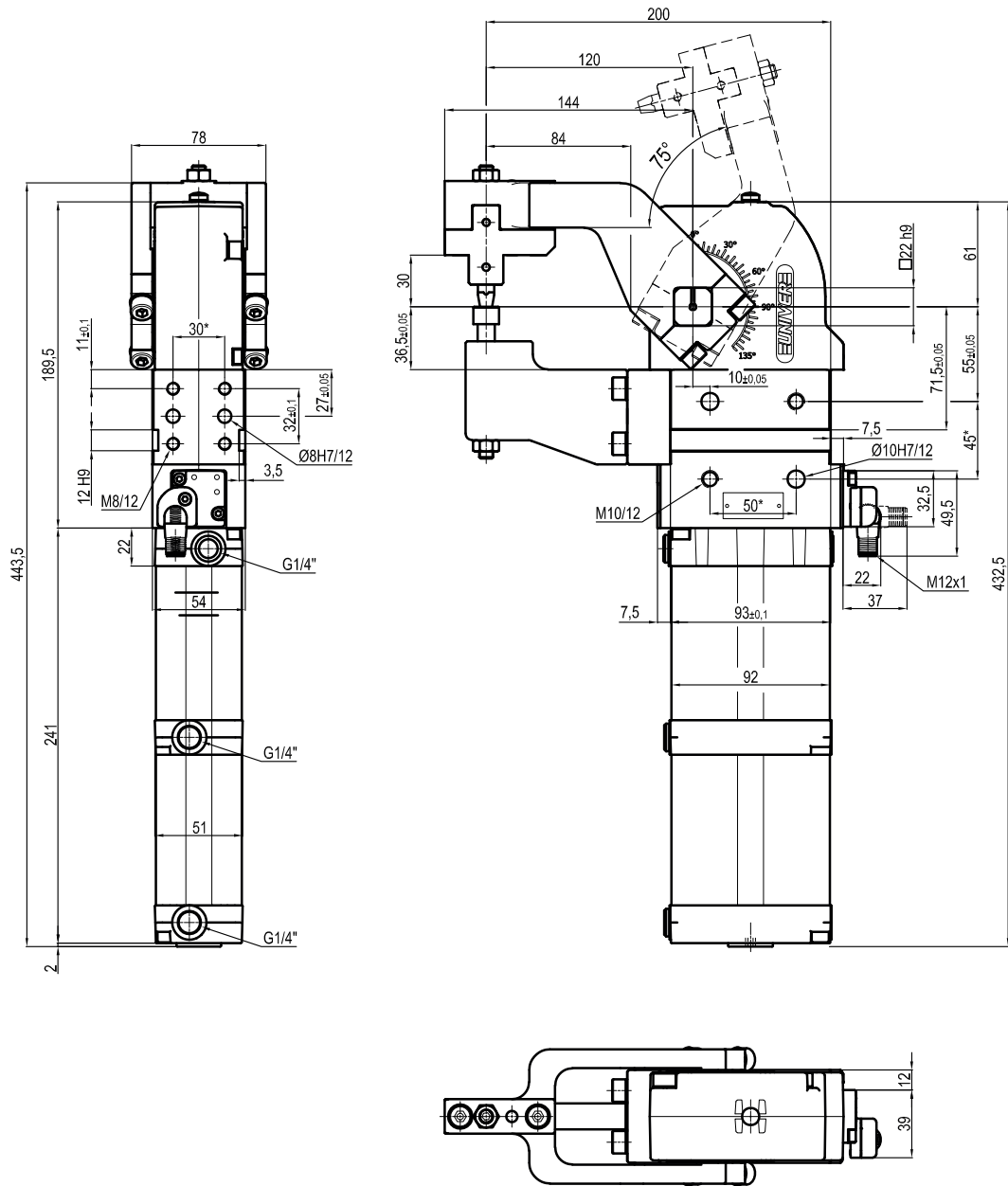
Sensors



Electronic (optical)

- DF-K PNP M12
- DF-J NPN M12
- DF-Y PNP M12 White LED

M | Character mounting
On the moving part



* TOLERANCE BETWEEN DOWELS ± 0,02, BETWEEN SCREW HOLES ± 0,1
** AREA TO ACCESS ANGLE ADJUSTMENT

Sensors



Electronic (optical)

- DF-K PNP M12
- DF-J NPN M12
- DF-Y PNP M12 White LED