

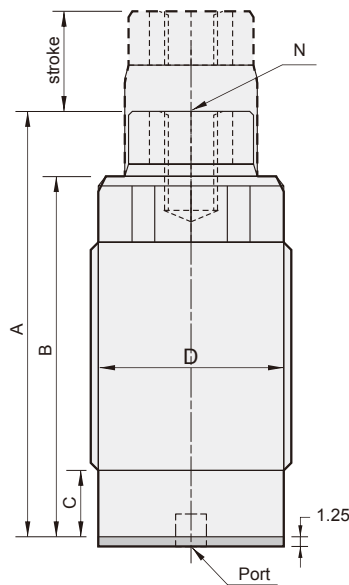
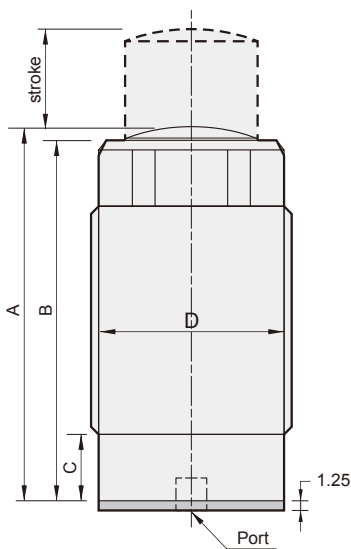
Features

- Simple construction, high strength unit ideal for pushing heavy loads.
- Threaded body design allows quick and easy installation.
- Additional mounting heads can be fitted to rod.
- Teflon packing ensures zero leakage.

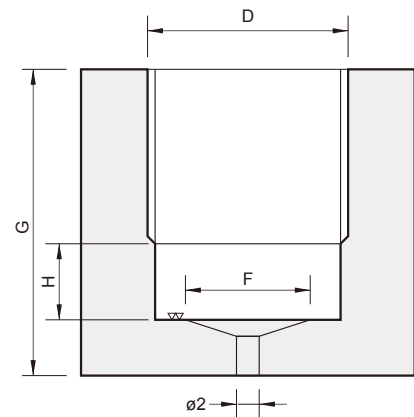


A series

B series



Mounting diagram



Model Item	MTC-12A	MTC-16A	MTC-20A	MTC-25A	MTC-12B	MTC-16B	MTC-20B	MTC-25B
Normal operating pressure	2~35 MPa							
Cylinder operating	Single acting							
Stroke (mm)	10	12	15	16	10	12	15	16
Piston ϕ (mm)	12	16	20	25	12	16	20	25
Theoretical force (20 MPa)	200 kg	400 kg	620 kg	980 kg	200 kg	400 kg	620 kg	980 kg
A (mm)	38	46.5	56	57	45	52	64.5	67
B (mm)	36	44.5	54	55	36	44.5	54	55
C (mm)	7	8	8	11	7	8	8	11
D (mm)	M22×1.5	M26×1.5	M30×1.5	M38×1.5	M22×1.5	M26×1.5	M30×1.5	M38×1.5
N (mm)					M6×1.0	M6×1.0	M8×1.25	M8×1.25
F (mm)	12	16	20	25	12	16	20	25
G (min) (mm)	16	20	24	28	16	20	24	28
H (max) (mm)	8	9	9	11	8	9	9	11