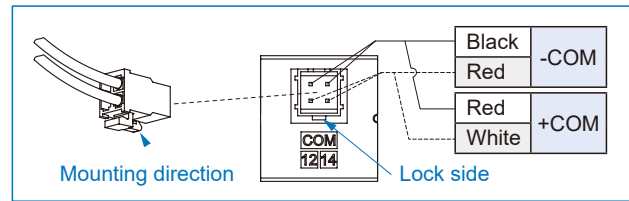


Specification

- 25-Pin D-sub connector.
- Simple electric wire system.
- Max. operating frequency: 5Hz.

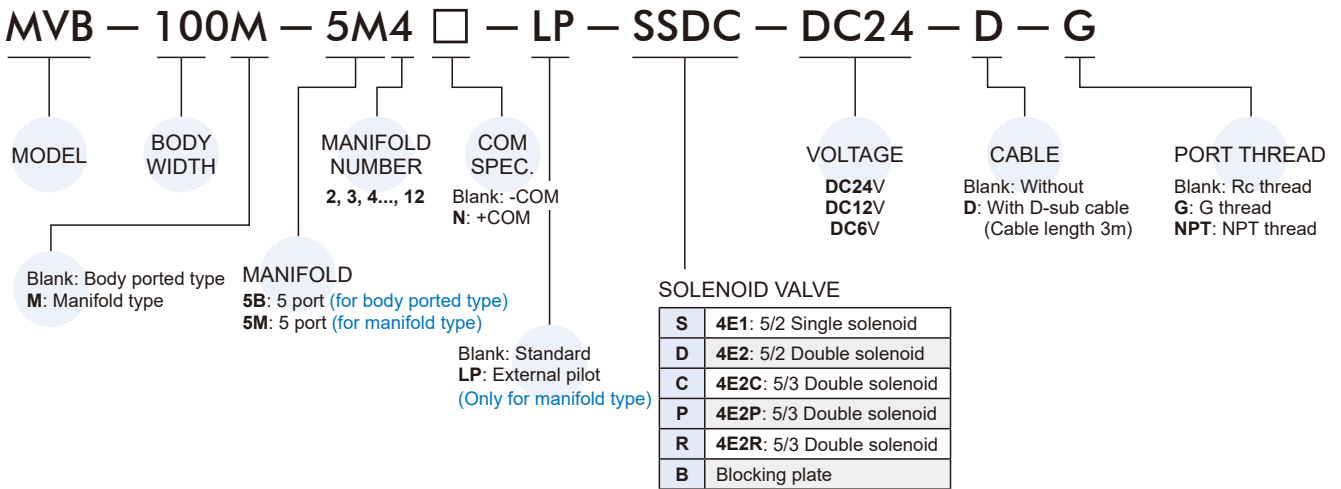
Remark

- Maximum stations
4E1: 12 stations
4E2 & 4EC.P.R: 11 stations
- For MVSU-100 series solenoid valve only (Only with LJ plug type).

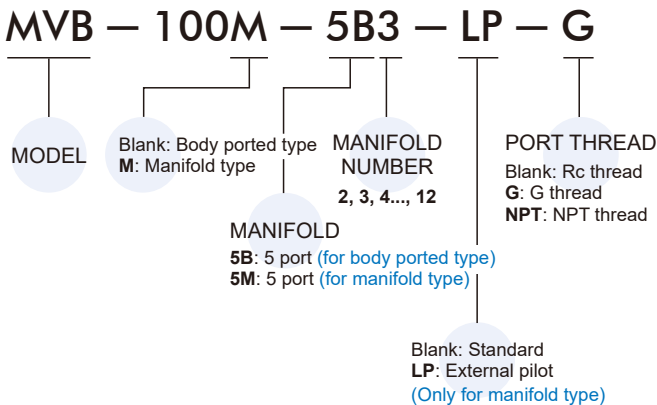


- * PLC type (PNP output) is applied to -COM.
- * PLC type (NPN output) is applied to +COM

Order example (Multi connector system)

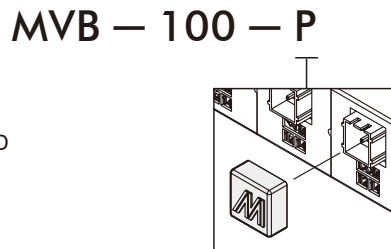


Order example of circuit board and manifold

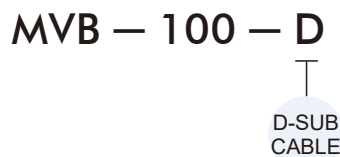


* LP type manifold needs to match LP type valve.

Order example of protective plate



Order example of cable



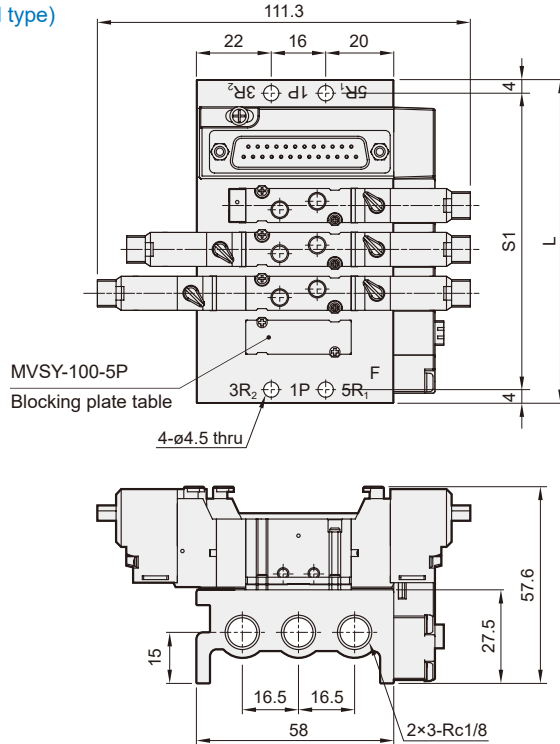
MVB-100 Dimensions

MULTI CONNECTOR SYSTEM



MVB-100-5B*

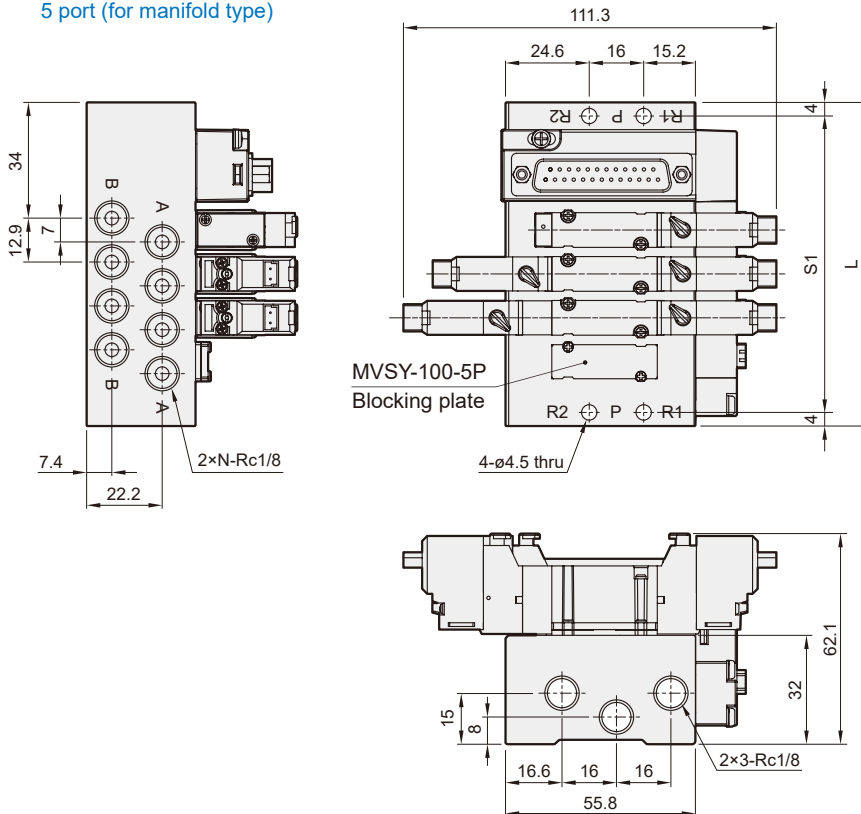
5 port (for body ported type)



No. of stations	L	S1
2	69.3	61.3
3	82.2	74.2
4	95.1	87.1
5	108	100
6	120.9	112.9
7	133.8	125.8
8	146.7	138.7
9	159.6	151.6
10	172.5	164.5
11	185.4	177.4
12	198.3	190.3

MVB-100M-5M*

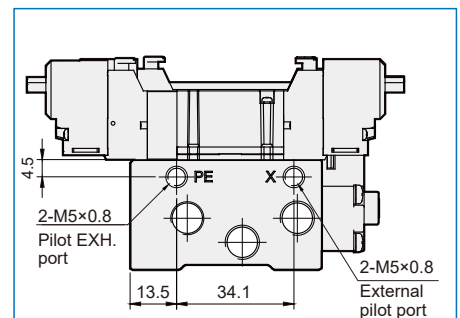
5 port (for manifold type)



No. of stations (N)	L	S1
2	69.3	61.3
3	82.2	74.2
4	95.1	87.1
5	108	100
6	120.9	112.9
7	133.8	125.8
8	146.7	138.7
9	159.6	151.6
10	172.5	164.5
11	185.4	177.4
12	198.3	190.3

LP

External pilot



MVB-100 / 156 Order example of wire

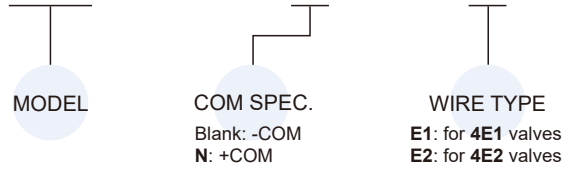


MULTI CONNECTOR SYSTEM

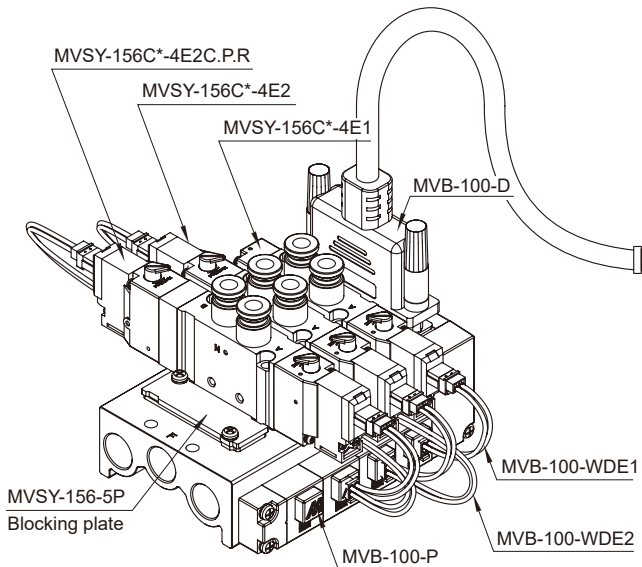
mindman

Order example of wire * MVB-100, MVB1-100 and MVB-156 use the same accessories.

MVB — 100 — — WDE1

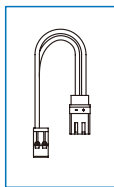


25 PIN



Wire color	Pin No.	Coil No.	Polarity	
			-COM	+COM
Brown	1	D-01	+	-
Purple / white	14	D-02	+	-
Brown / white	2	D-03	+	-
Gray	15	D-04	+	-
Red	3	D-05	+	-
Gray / black	16	D-06	+	-
Red / black	4	D-07	+	-
White	17	D-08	+	-
Orange	5	D-09	+	-
White / black	18	D-10	+	-
Orange / black	6	D-11	+	-
Pink	19	D-12	+	-
Yellow	7	D-13	+	-
Pink / black	20	D-14	+	-
Yellow / black	8	D-15	+	-
White / red	21	D-16	+	-
Green	9	D-17	+	-
White / blue	22	D-18	+	-
Green / black	10	D-19	+	-
Light blue	23	D-20	+	-
Blue	11	D-21	+	-
Light blue / black	24	D-22	+	-
COM	13	COM	-	+
Light green	25	COM	-	+

MVB-100-WDE1



MVB-100-WDE2

