



### Features

- Compact and lightweight, mounting from 3 directions.
- Rotary angle 90°, 180°, 270°.
- Both rods have locating plane.
- Spin the rod with built-in vane mechanism.

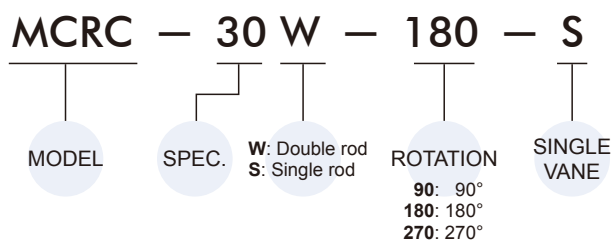
### Specification

Model	MCRC		
Acting type	Double acting		
Specification	30		
Port size	M5×0.8		
Rotation	90°	180°	270°
Acting angle tolerance	0~+4°		
Medium	Air (Non-lube)		
Max. operating pressure	1 MPa		
Min. operating pressure	0.15 MPa		
Proof pressure	1.5 MPa		
Ambient temperature	+5~+60°C		
Allowable kinetic energy (J)	0.02		
Load (N)	Radial	30	
	Axial	25	
Rotation time adjustment range (s/90°)	0.04~0.3 (*)		
Weight (g)	200	195	190

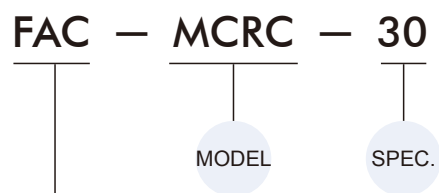
\* When the operation speed is lower than the lower speed limit, the rod may jitter or stop.

Please use the product in the range as table shown.

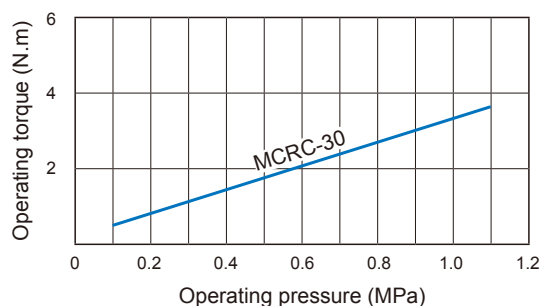
### Order example

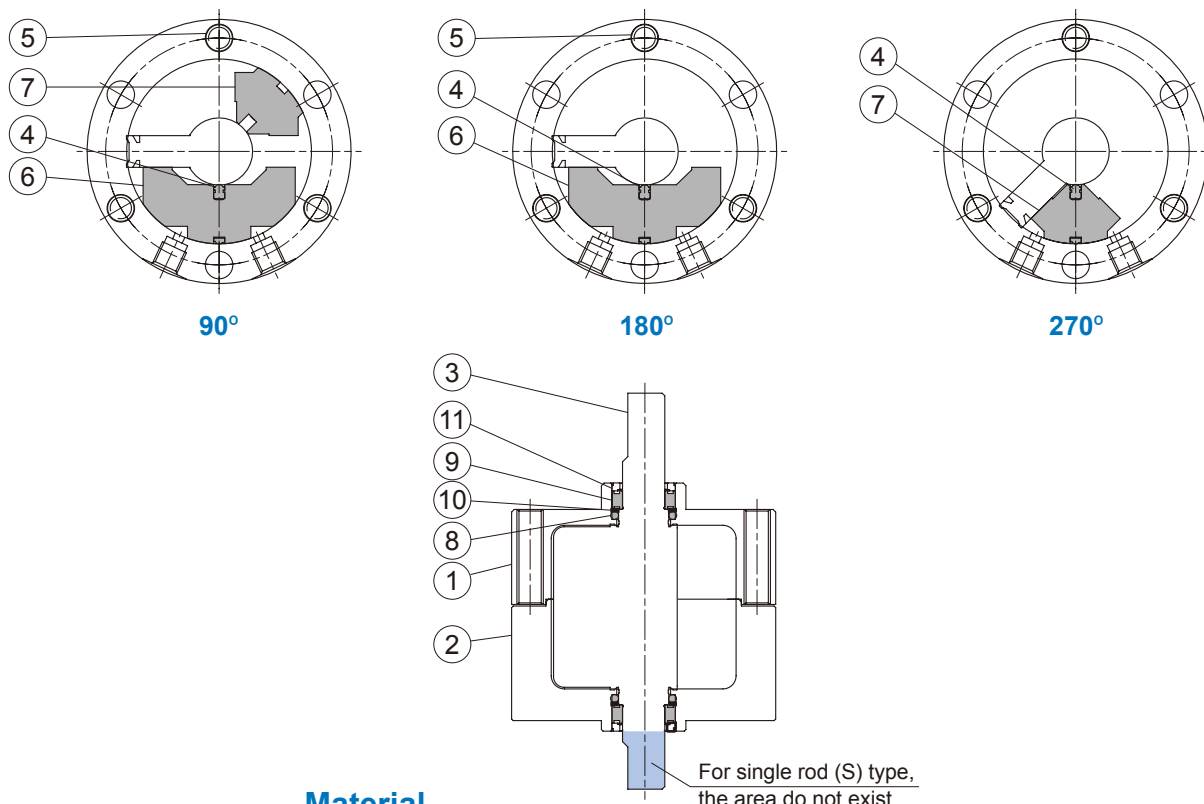


### Mounting accessories



### Torque diagram

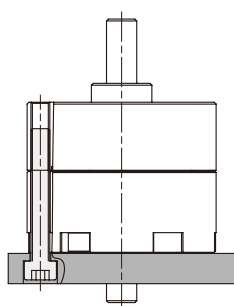




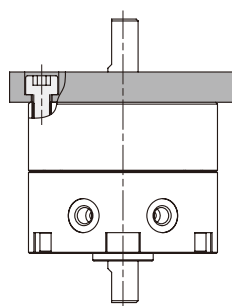
### Material

No.	Part name	Material	Q'y		
			90°	180°	270°
1	Upper body	Aluminum	1		
2	Lower body	Aluminum	1		
3	Shaft	Carbon	1		
4	Packing	NBR	1		
5	Bolt	Stainless steel	3		
6	Adjusting block	Plastic	1	1	0
7	Adjusting block	Plastic	1	0	1
8	O-ring	NBR	2		
9	Ball bearing	Bearing steel	2		
10	Gasket	Stainless steel	2		
11	Retaining ring	Stainless steel	2		

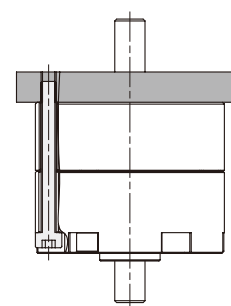
### Mounting methods



Body tapped



Body tapped



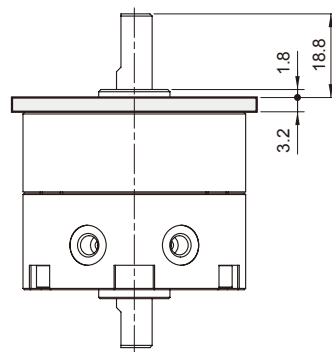
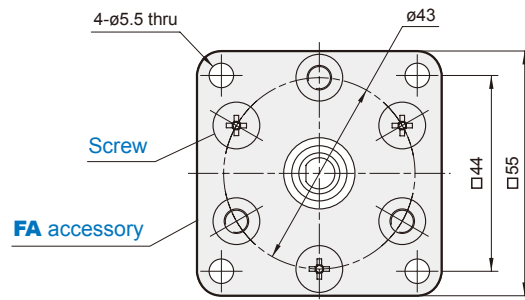
Body through-hole  
(Fixed with the customer's plate)



## ROTARY ACTUATOR

### FA

Material  
FA: Carbon steel  
Screw: Carbon steel



### FAC

Material  
FAC: Aluminum alloy  
Bolt: Carbon steel

