

HZE1GD/HZE2GD

Oil separator filters with activated carbon

The activated carbon oil separator filter is used for removing oil, solvent, hydrocarbon vapors and for eliminating odors.

Residual oil content 0,003 mg/m³ (ISO 8573 - 1: 2010 class 1.7.1)

ATEX version available upon request



TECHNICAL CHARACTERISTICS

Ambient temperature	2 ÷ 30 °C
Fluid	filtered compressed and oil free air 0,01 µm
Working pressure	10 bar
Max pressure	15 bar
Sizes	1 - 2
Filter element	activated carbon
Condensation drain	manual (standard)
Mounting position	vertical, 5 µm pre-filter and 0,01 µm coalescence purifier filter are to be installed upstream

CONSTRUCTIVE CHARACTERISTICS

Body	die-cast aluminium
Bowl	polycarbonate
Bowl guard	technopolymer
Filter element	activated carbon

CODIFICATION KEY

H	Z	E	1	G	D	1	0	G	
1	2	3	4	5					

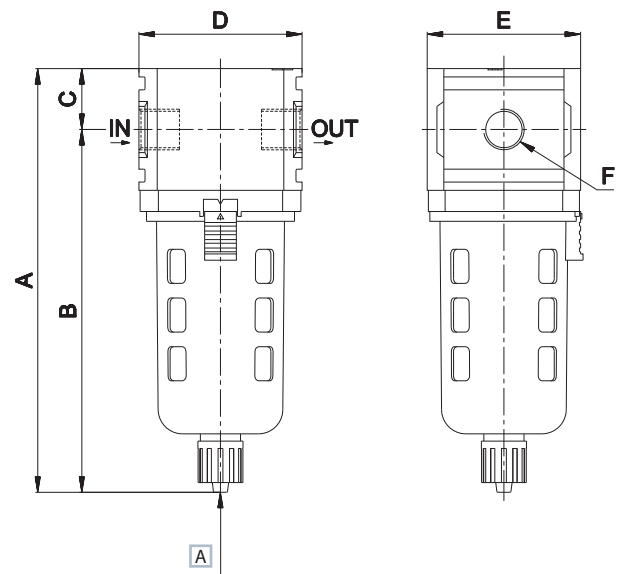
1 Series	2 Size	3 Model	4 Thread	5 ATEX option
HZE = Air treatment unit with standard manual drain	1 = Size 1 2 = Size 2	GD = Activated carbon	10G = G3/8 (sz.1) 15G = G1/2 (sz.1 - 2)	X = ATEX (upon request) See ATEX Catalogue for types and versions

Coalescence purifier filters	Size	
	1	2
Connections	G3/8 - G1/2	G1/2
Residual oil content (mg/m ³)	0,003	0,003
Nominal flow rate with manual drain (NI/min) ^(A)	600	1000
Condensation drain capacity (cm ³)	45	80
Type of mounting	vertical	
Weight (Kg)	0,31	0,55

(A) = inlet pressure 7 bar

Note: install a 5 µm pre-filter and a 0,01 µm coalescence purifier filter prior to the oil separator filter with activated carbon. It is recommended to replace the filter element after every 1000 h of use.

HZE1GD/HZE2GD



A Manual drain

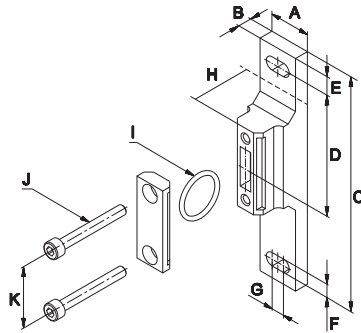
size	A	B	C	D	E	F
1	180	157	23	63	63	G3/8-G1/2
2	195	172	23	80	80	G1/2



4

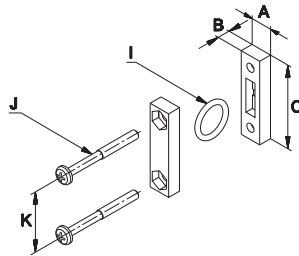
Fixing elements

T-bracket assembly kit



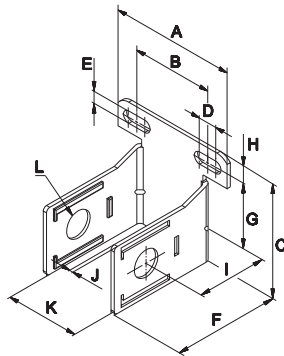
size	A	B	C	D	E	F	G	H	ØI	J	K	Part No.
1	22	7	125	45	10	7	7	27	25,7	M5x45	32	HZE1Z210
2	22,5	7	125	45	10	7	7	37	25,7	M5x45	32	HZE2Z210

Assembly kit



size	A	B	C	ØI	J	K	Part No.
1-2	15	7	44	25,7	M5x45	32	HZE1Z200

C-bracket



size	A	B	C	D	E	F	G	H	I	J	K	ØL	Part No.
1	67	34,5	76	14	7	69	45	9	45	2,3	63	25	HZE1Z300
2	84	55	93,5	14	9	102	50	11	65	2,3	80	25	HZE2Z300

Spare parts

HZE1/2Z600

HZE1/2Z674L



Standard bowl with manual drain
 Size 1 HZE1Z600
 Size 2 HZE2Z600

Filter element with activated carbon
 Size 1 HZE1Z674L
 Size 2 HZE2Z674L