

# CSA-UL

## Electropilots with "CSA-UL" Certification

Electropilots and valves are supplied with coil certified for United States and Canada. Products with this mark are certified by the Canadian CSA organization in compliance with the standards required by the US (US on the right of the logo) and Canadian market (C on the left of the logo).

Certification N° 244884.

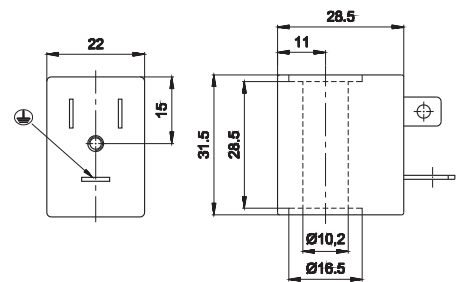
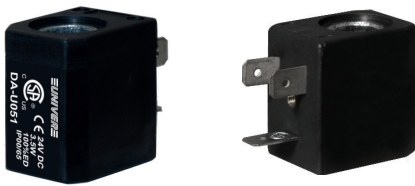
In compliance with:  
 CSA C22.2 No. 139-13  
 UL 429:2013



### TECHNICAL CHARACTERISTICS

Ambient temperature	-10°C + 45°C
Duty cycle (%)	100
Tension tolerance	±10

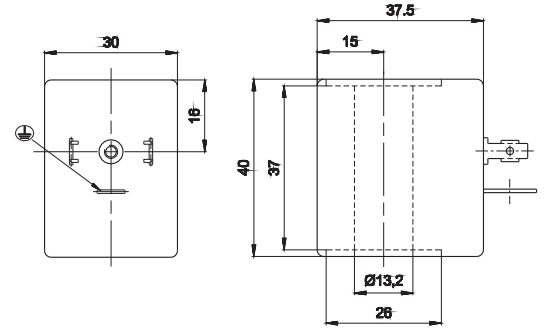
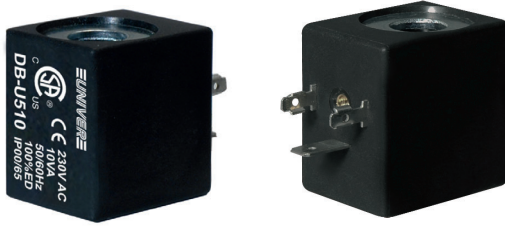
■ U1 22 mm coil to be used with U1 electropilot



Duty cycle ED(a)	Ambient temperature	Power consumption W		Tension tolerance %	Rated voltage	Weight Kg	Part no.
		hold	inrush				
100	-10°C+45°C	3,5	3,5	±10	12 V DC	0,06	DA-U050
100	-10°C+45°C	3,5	3,5	±10	24 V DC	0,06	DA-U051
100	-10°C+45°C	6	6	±10	12 V DC*	0,06	DA-U101
100	-10°C+45°C	6	6	±10	24 V DC	0,06	DA-U102
100	-10°C+45°C	6	6	±10	48 V DC*	0,06	DA-U103
100	-10°C+45°C	6	6	±10	110 V DC*	0,06	DA-U104
100	-10°C+45°C	5 VA (Max)	7,8 VA (Max)	±10	24 V AC/50-60 HZ	0,06	DA-U106
100	-10°C+45°C	5 VA (Max)	7,8 VA (Max)	±10	110 V AC/50-60 HZ	0,06	DA-U108
100	-10°C+45°C	5 VA (Max)	7,8 VA (Max)	±10	230 V AC/50-60 HZ	0,06	DA-U124

(\*) = upon request

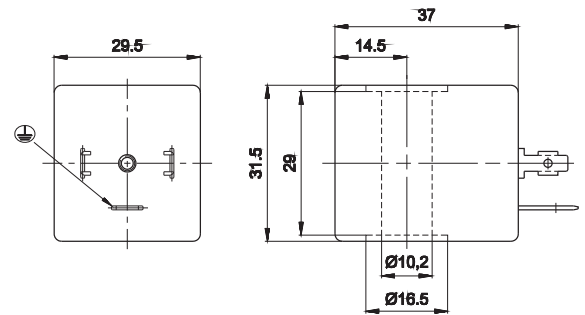
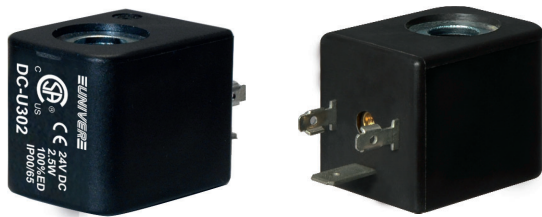
U2 30 mm coil to be used with U2 electropilot



Duty cycle ED(a)	Ambient temperature	Power consumption W		Tension tolerance	Rated voltage	Weight Kg	Part no.
		hold	irush				
100	-10°C+45°C	11	11	±10	12 V DC	0,10	DB-U501
100	-10°C+45°C	11	11	±10	24 V DC	0,10	DB-U502
100	-10°C+45°C	11	11	±10	48 V DC*	0,10	DB-U503
100	-10°C+45°C	11	11	±10	110 V DC*	0,10	DB-U504
100	-10°C+45°C	10 VA (Max)	16 VA (Max)	±10	24 V AC/50-60 HZ	0,10	DB-U507
100	-10°C+45°C	10 VA (Max)	16 VA (Max)	±10	110 V AC/50-60 HZ	0,10	DB-U509
100	-10°C+45°C	10 VA (Max)	16 VA (Max)	±10	230 V AC/50-60 HZ	0,10	DB-U510

(\*) = upon request

U3 30 mm coil to be used with U1 electropilot



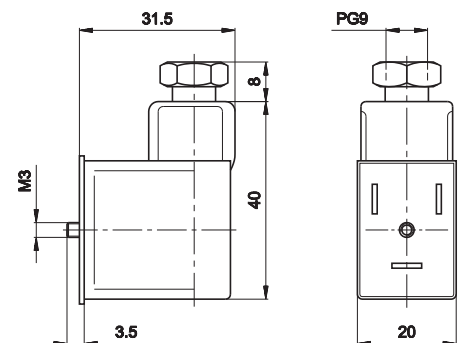
Duty cycle ED(a)	Ambient temperature	Power consumption W		Tension tolerance	Rated voltage	Weight Kg	Part no.
		hold	inrush				
100	-10°C+45°C	2,5	2,5	±10	12 V DC	0,08	DC-U301
100	-10°C+45°C	2,5	2,5	±10	24 V DC	0,08	DC-U302
100	-10°C+45°C	2,5	2,5	±10	110 V DC*	0,08	DC-U304
100	-10°C+45°C	3,3 VA (Max)	5 VA (Max)	±10	24 V AC/50-60 HZ	0,08	DC-U307
100	-10°C+45°C	3,3 VA (Max)	5 VA (Max)	±10	110 V AC/50-60 HZ	0,08	DC-U309
100	-10°C+45°C	3,3 VA (Max)	5 VA (Max)	±10	230 V AC/50-60 HZ	0,08	DC-U310

(a) = under continuous service maximum temperature will not compromise the functioning of the coil provided that the working position is ventilated

(\*) = upon request

Connector for U1 coil

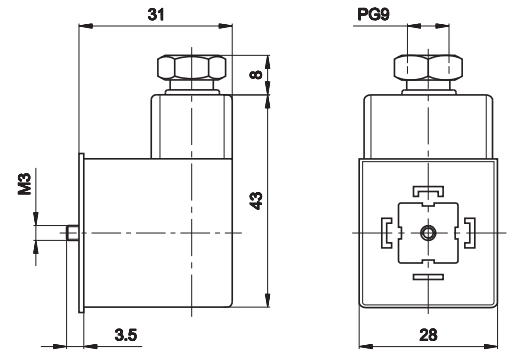
Coil	Part no.
CONNECTOR	
U1	AM-5110



Protection according to IP 65. PG9 cable connection. 180° rotation on the coil LED and moulded cable are available upon request

Connector for U2, U3 coil

	Coil	Part no.
DIN 43650 CONNECTOR		
	U2/U3	AM-5111



Protection according to IP 65. PG9 cable connection. 360° rotation on the coil LED and moulded cable are available upon request

Coils matching with electropilots/valves

<p>■ <b>AA</b> U1 Miniature electropilots</p> 	<p>■ <b>AB</b> U2 Miniature electropilots</p> 	<p>■ <b>BE</b> ISO 5599/1 valves size 1-2-3-4</p> 
<p>■ <b>AE</b> ISO 5599/1 light series valves size 1-2</p> 	<p>■ <b>AC-N</b> NAMUR valves</p> 	<p>■ <b>CL/CM</b> UNIVERSAL valves G1/8 - G1/4</p> 
<p>■ <b>G7</b> 26 mm - valves and solenoid valves</p> 	<p>■ <b>AC MIXED</b> valves G1/8 - G1/4 - G1/2</p> 	<p>■ <b>AF</b> Poppet valves for compressed air G1/8 ÷ G1 1/2</p> 
<p>■ <b>AG</b> Popper valves for vacuum G1/8 ÷ G1 1/2</p> 	<p>■ <b>HZE1S</b> Shut-off valves</p> 	

For technical details on electropilots/valves refer to our technical catalogue